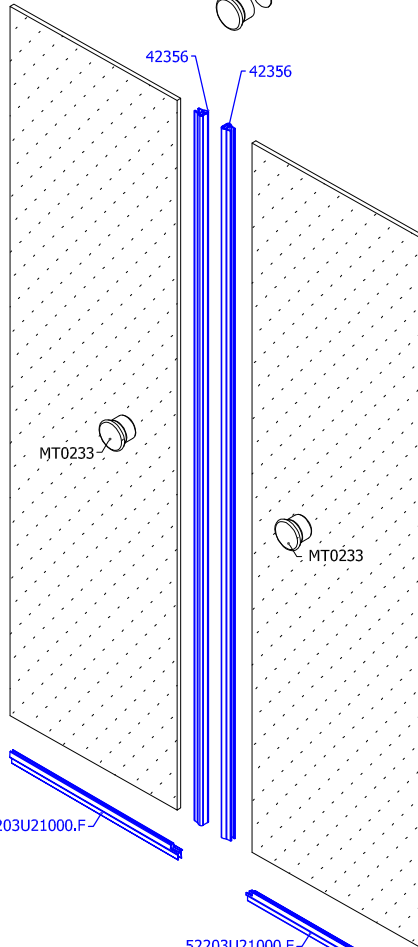


2xMT0233.10

42356
42356



MT0324.50.xxxx

19520

