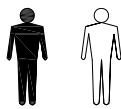
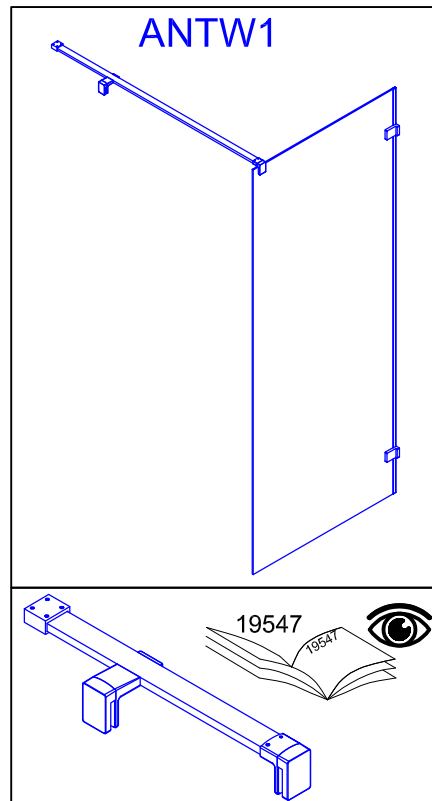
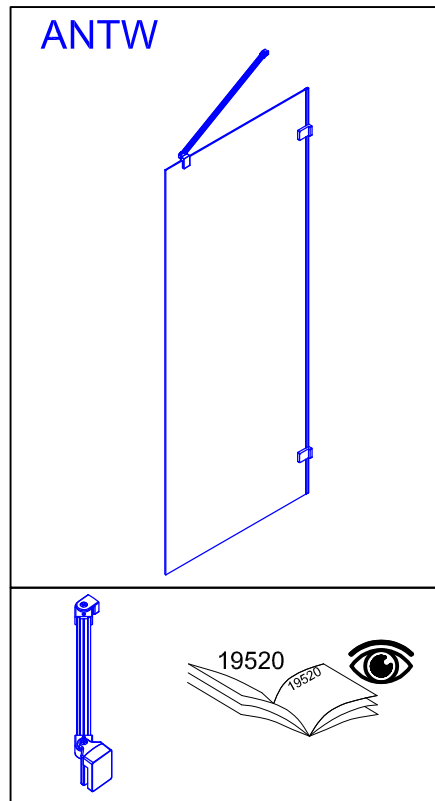


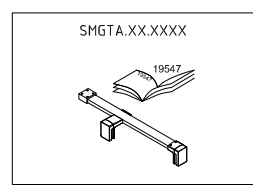
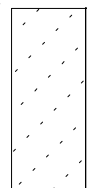
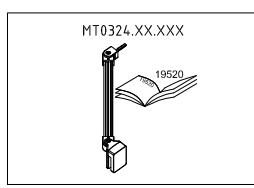
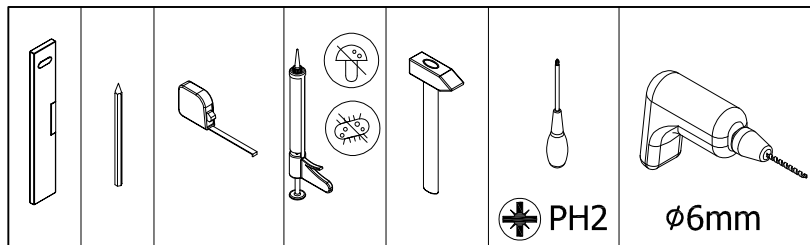
# 19808

1.

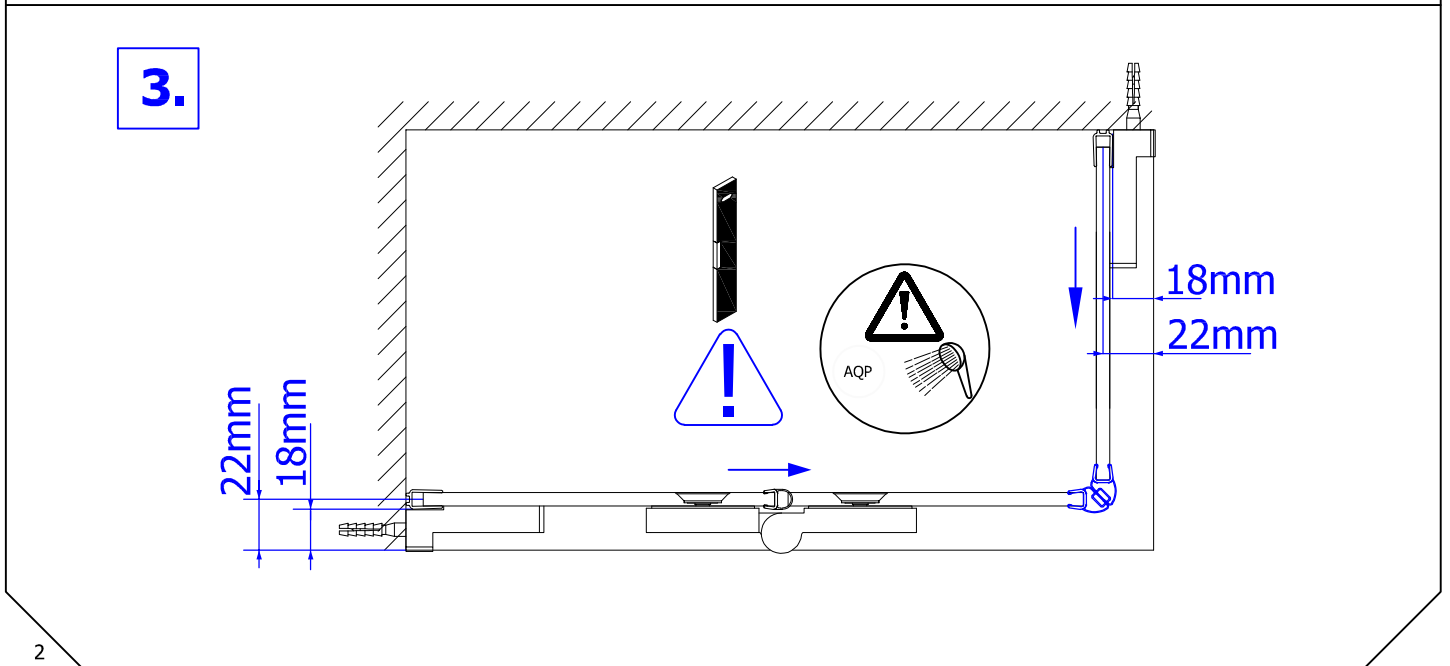
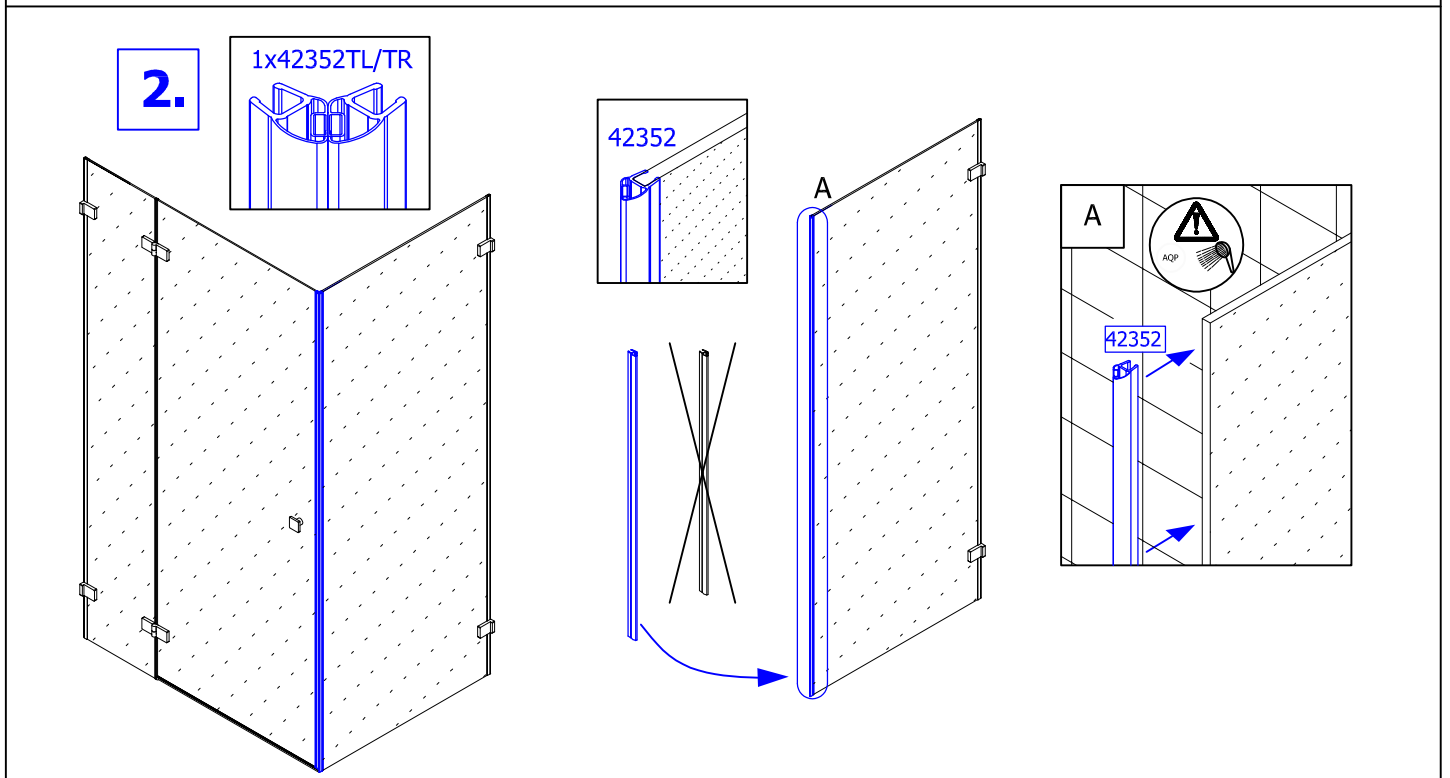
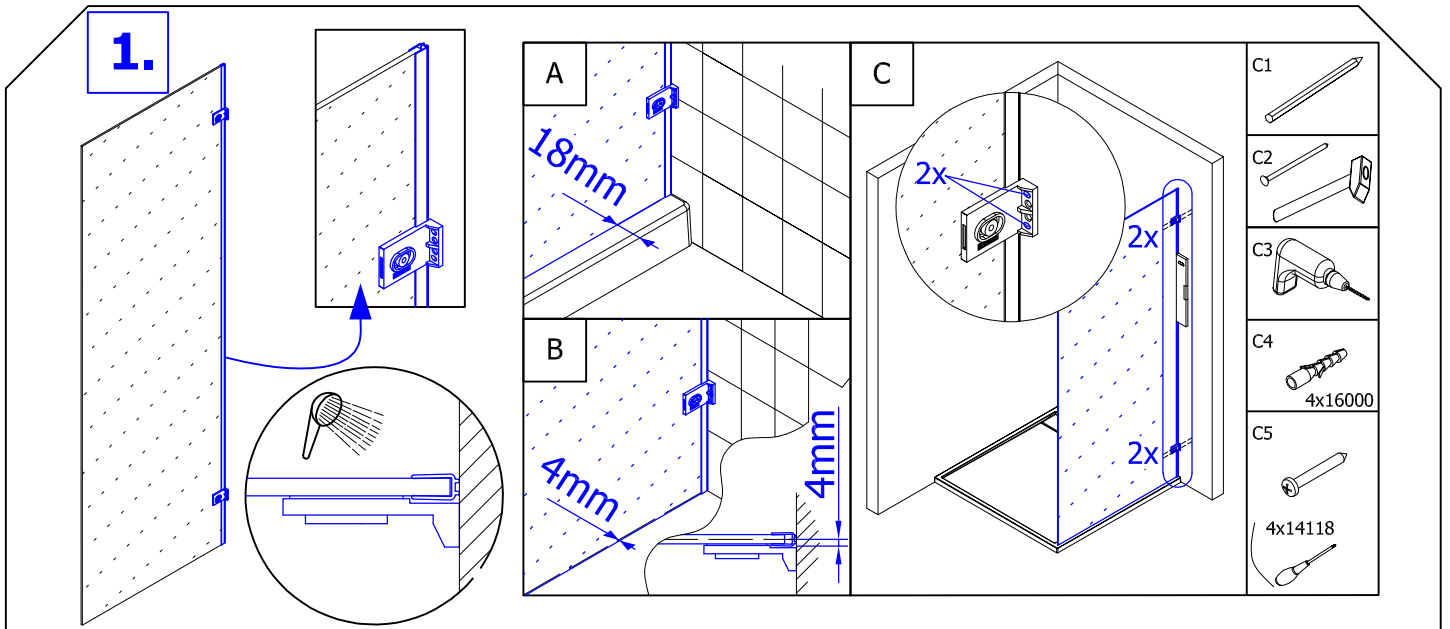
5.

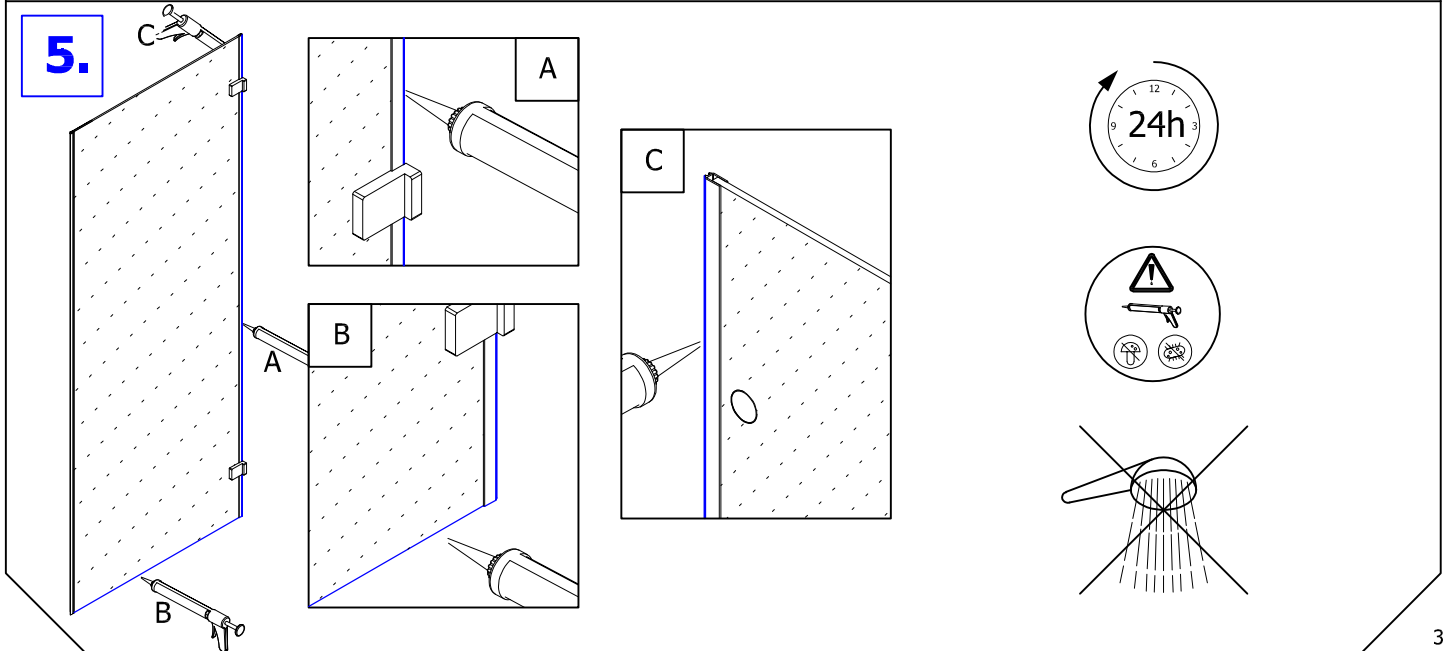
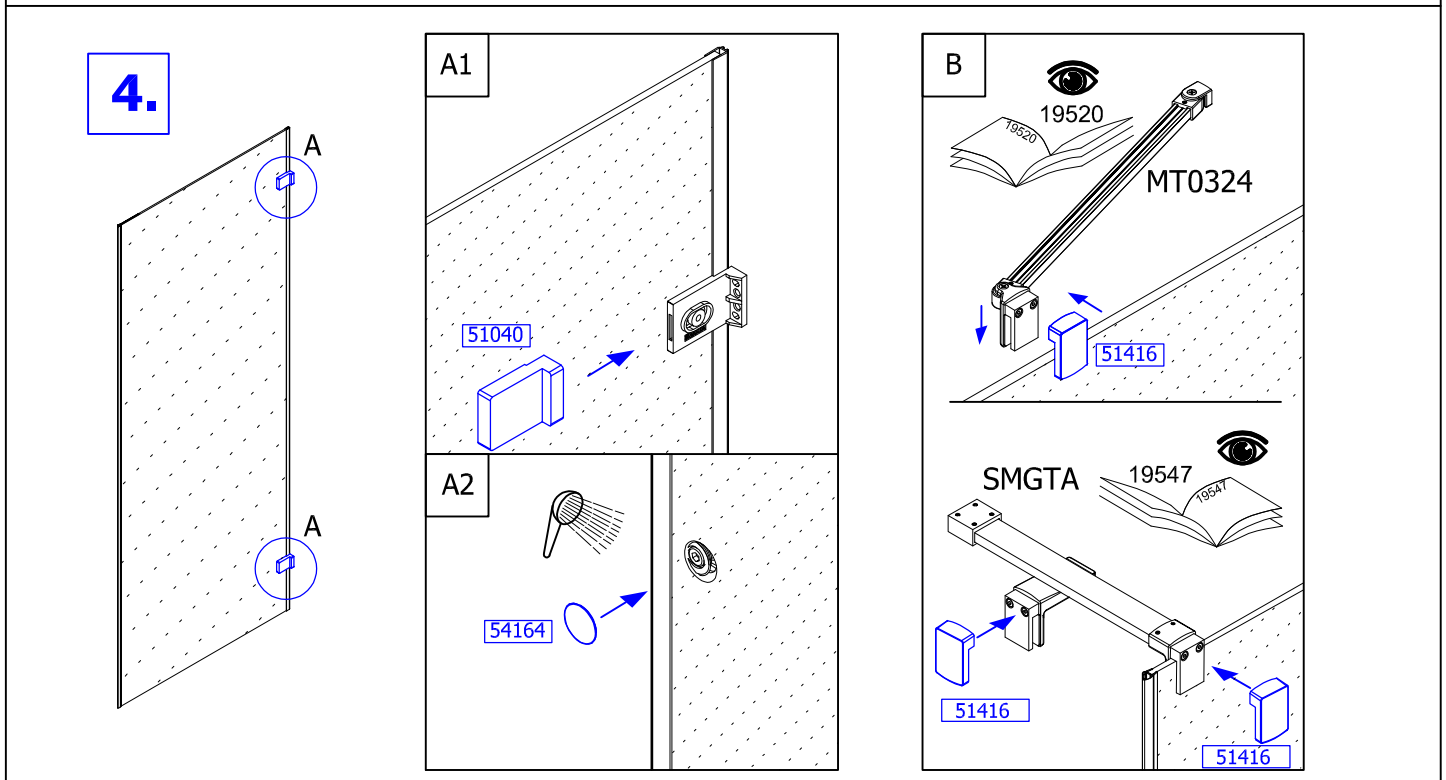
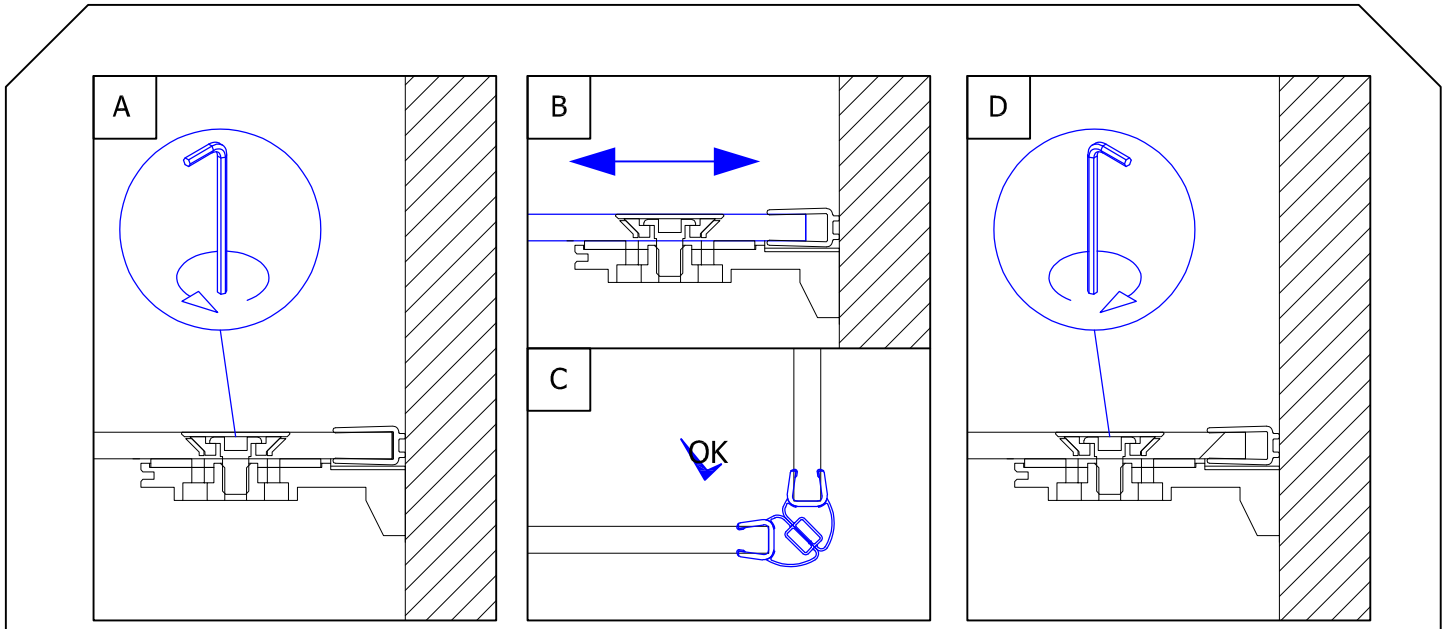


1x



 1 x 11221	 4 x 14118 4.2 x 32mm	 5 x 16000 ø 6mm	 1 x 14001 4.2 x 38mm	 2 x 51040.XX
 2 x 51416.XX	 2 x 54164.XX	 17156-5mm 17165-2,5mm	 17158-2mm 17159-3mm	

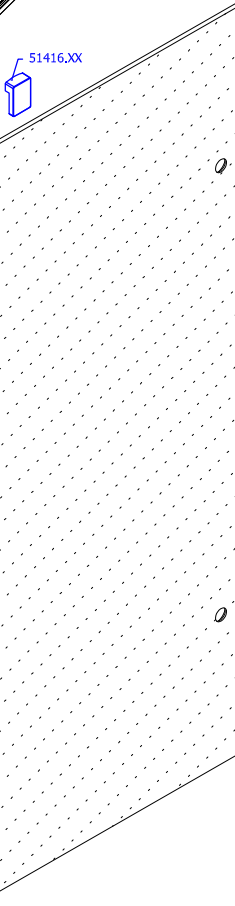




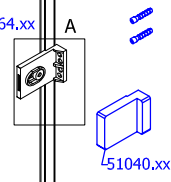
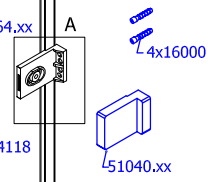
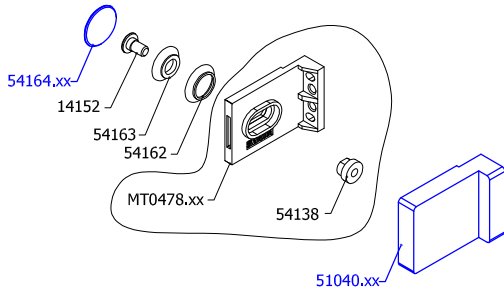
# ANTW



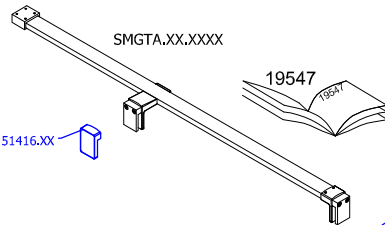
50044Axx.xxxx



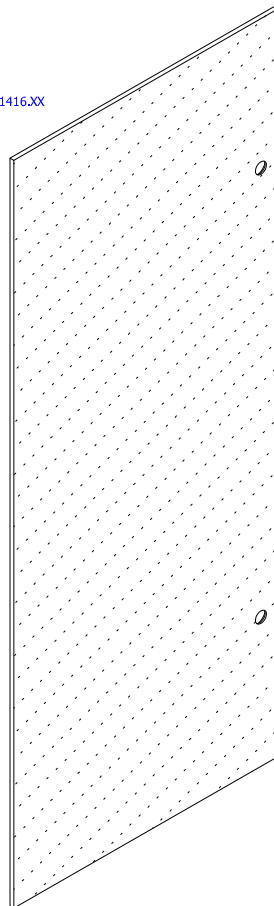
## DET.A



# ANTW1



50044Axx.xxxx



## DET.A

