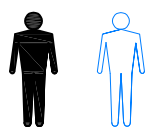
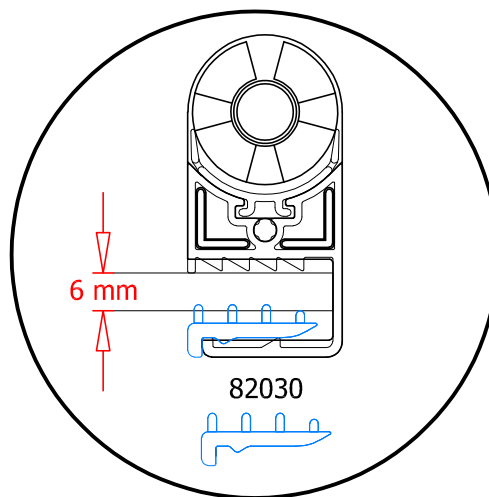
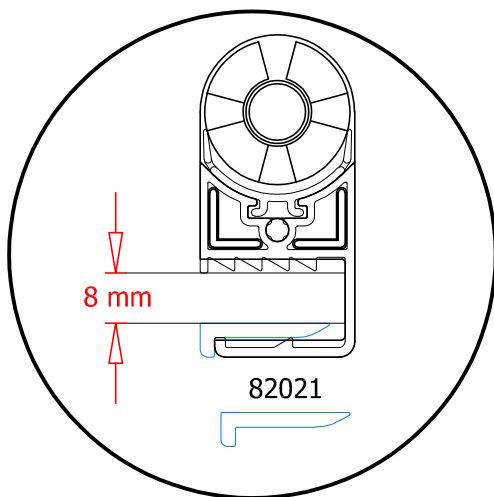
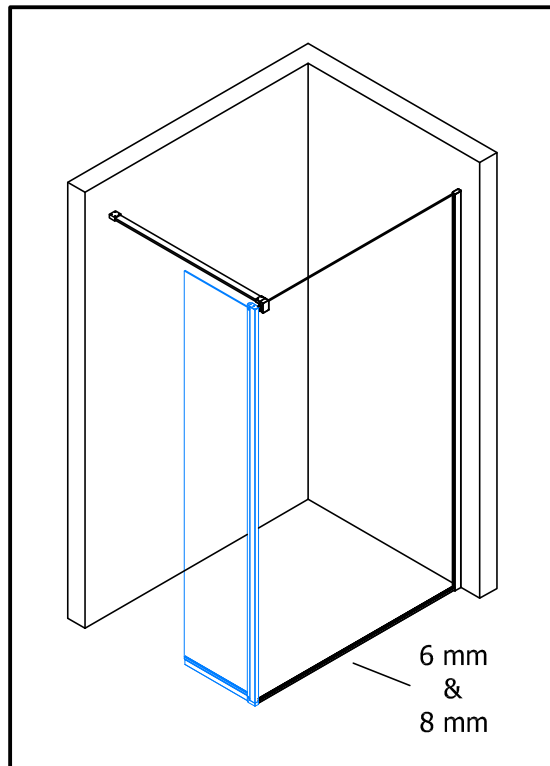
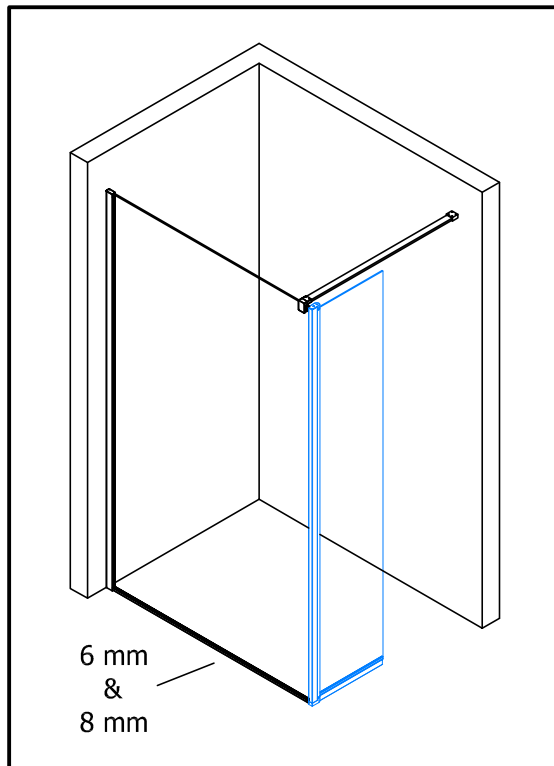
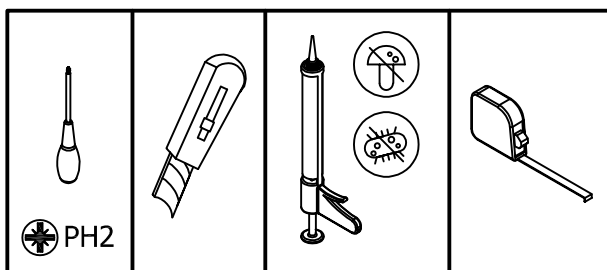











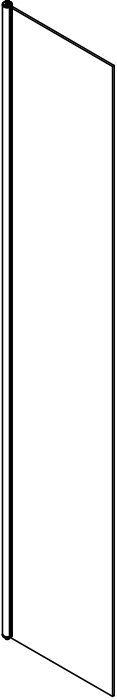

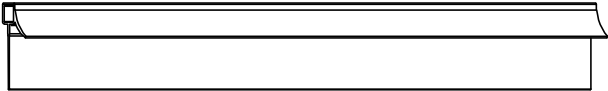




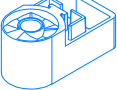
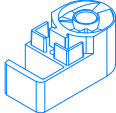



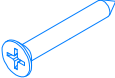
19784



1x

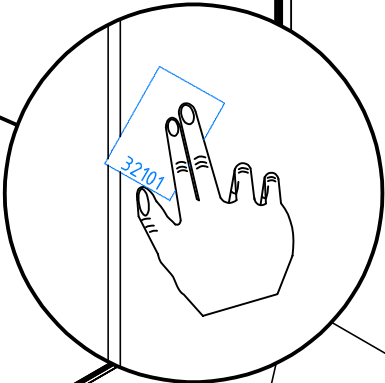
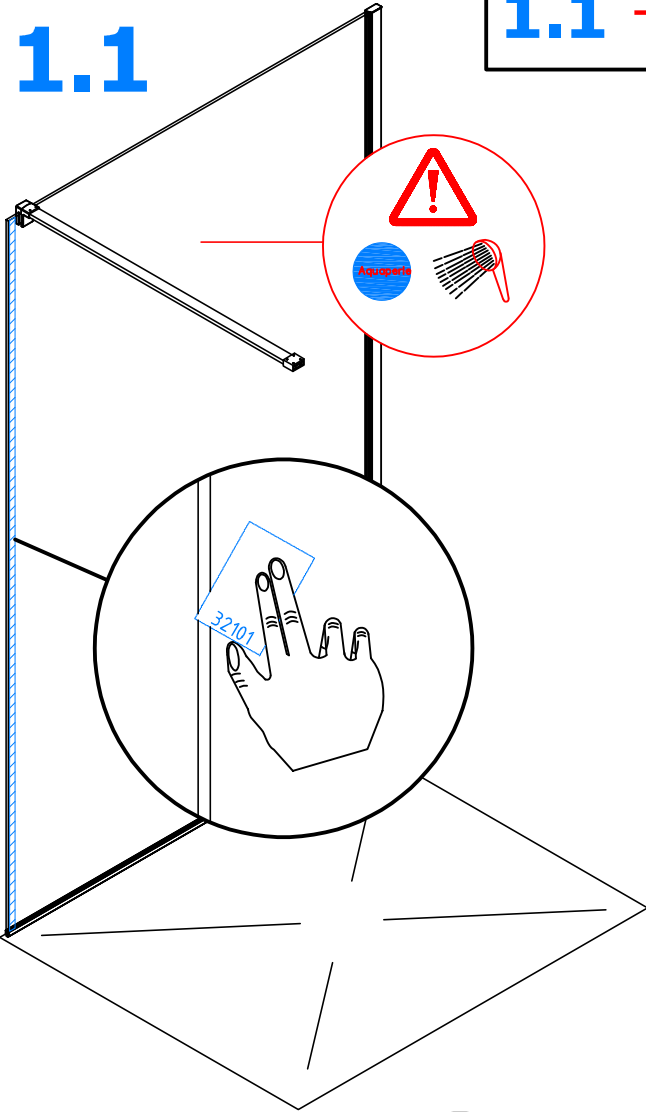
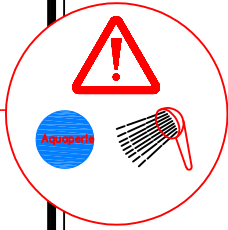


	80027AXX.XXXX	82030.XXXX	82021.XXXX	12476.XXXX	82015.XXXX		
	 	 	 	 	 		
		82020.XXX					
							

				
	1 x 81149.XX	1 x MT0459.XX	1 x MT0460.XX	1 x 84024.XX
				
	32101 1 x 32101	1 x 14019 3.5 X 16	1 x 14013 3.5 X 32	

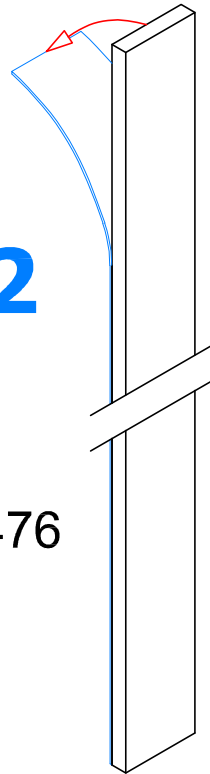
1.1

1.1 → 1.4

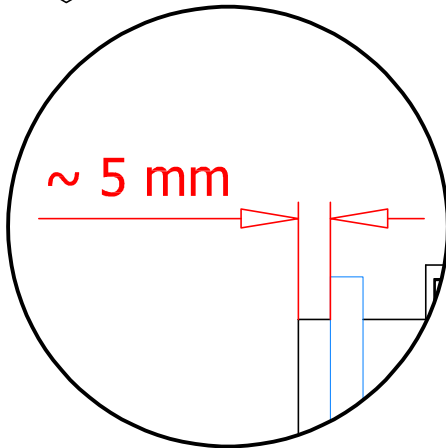
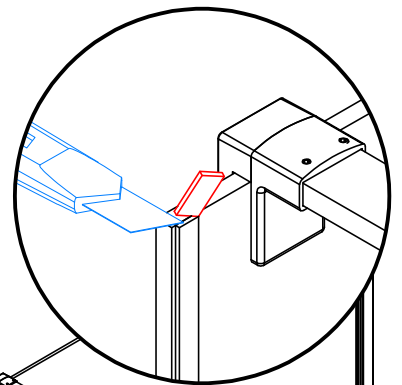


1.2

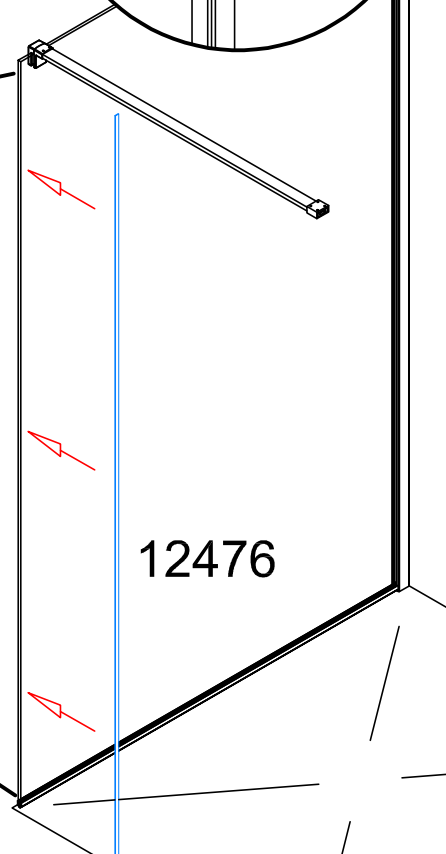
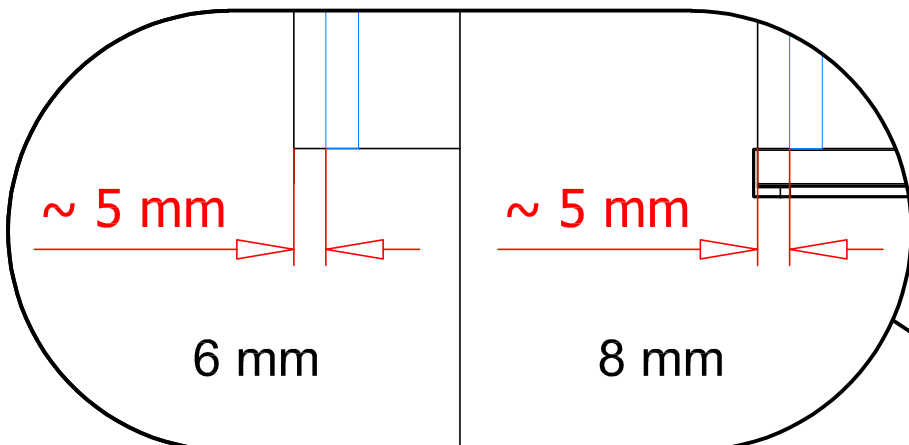
12476



1.4



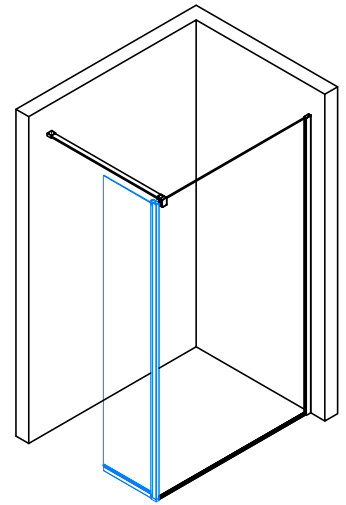
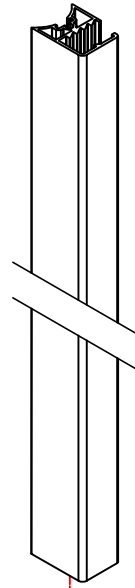
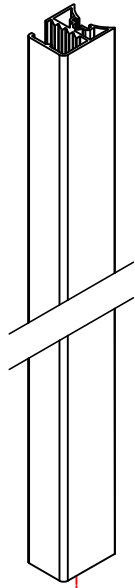
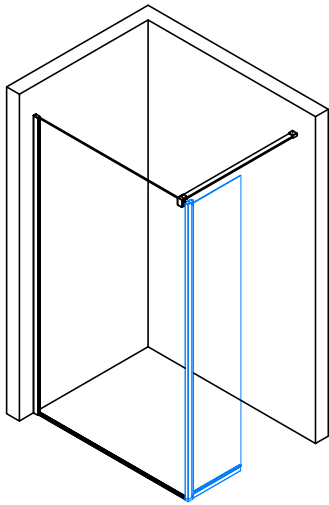
1.3



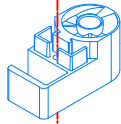
12476

80027AXX.XXXX

2.



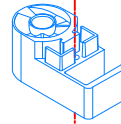
MT0460



14013



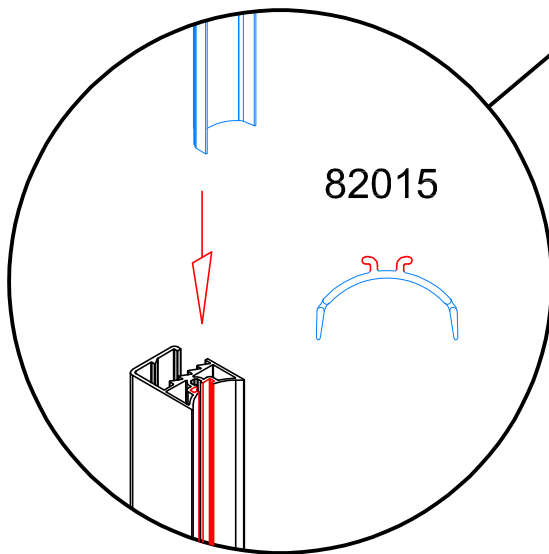
MT0459



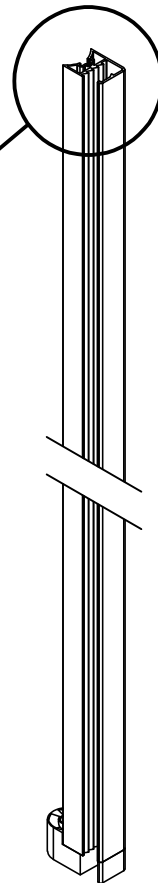
14013



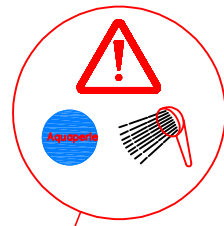
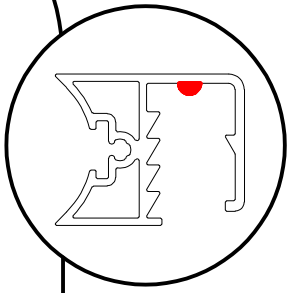
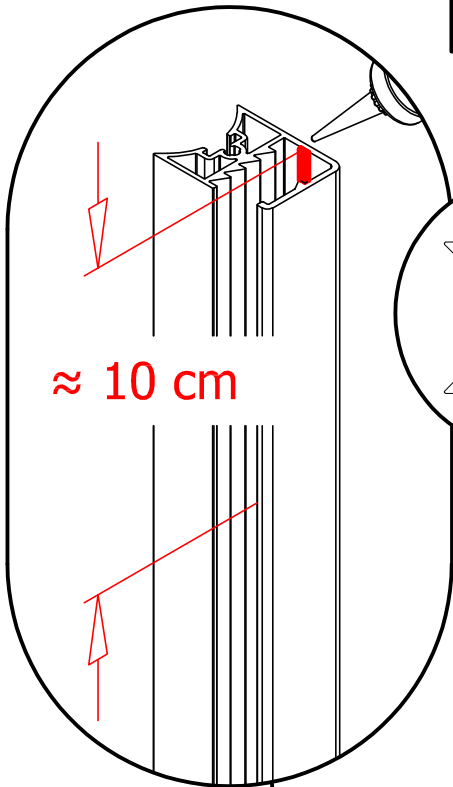
3.



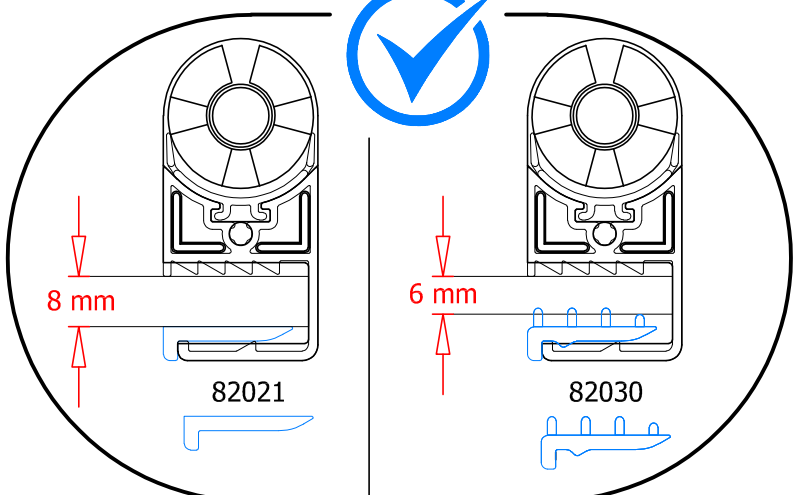
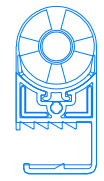
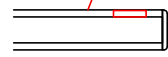
82015



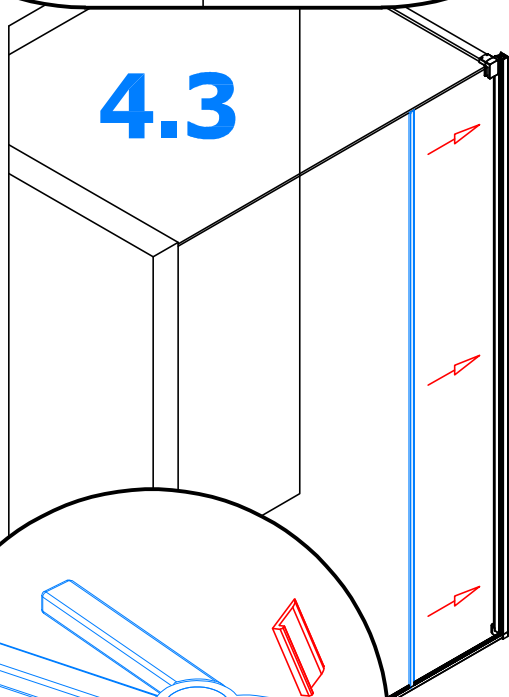
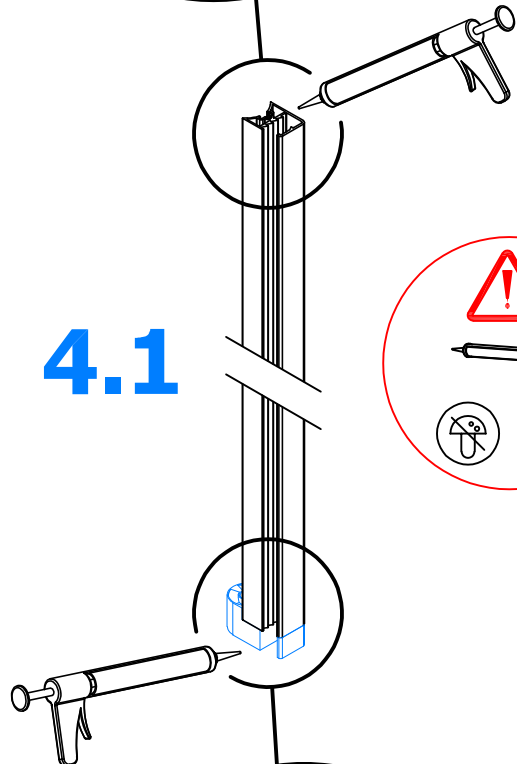
4.1 → 4.4



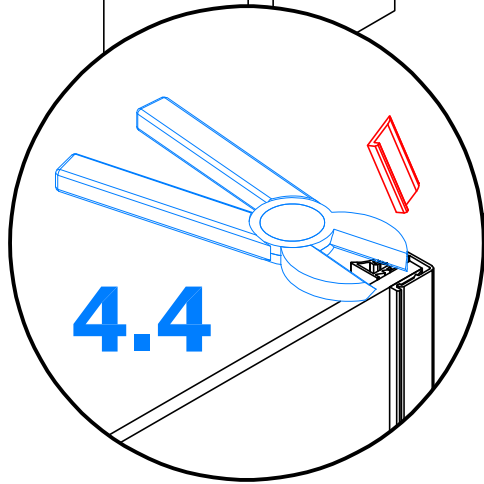
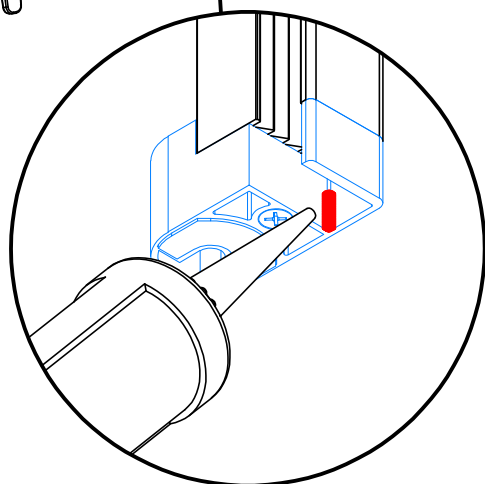
4.2



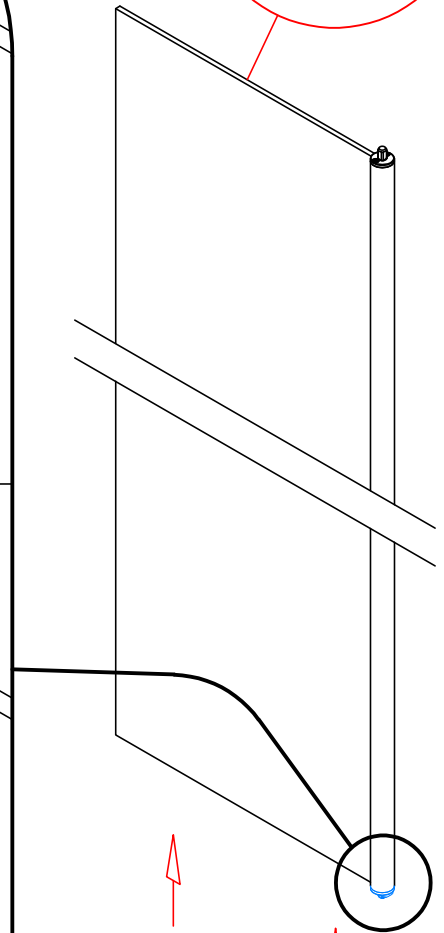
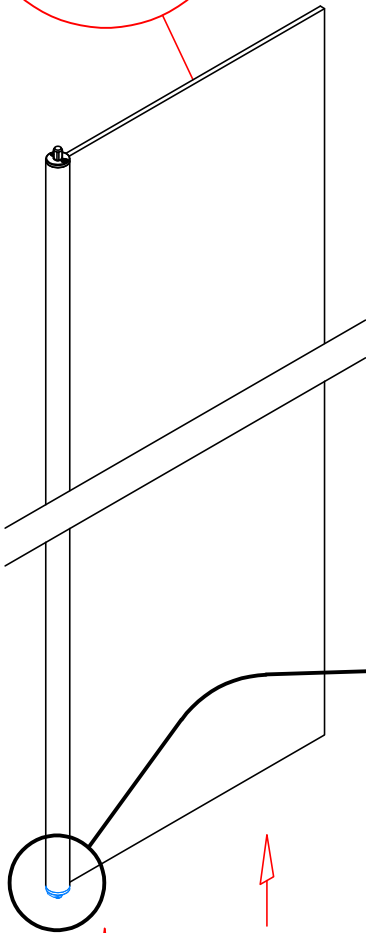
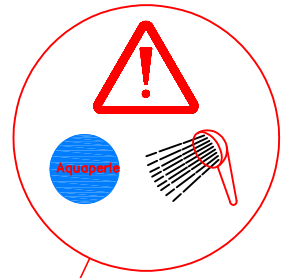
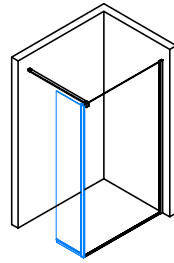
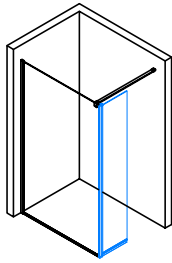
4.1



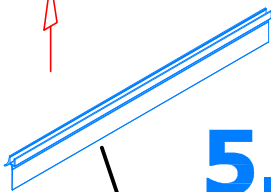
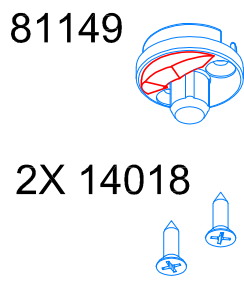
4.3



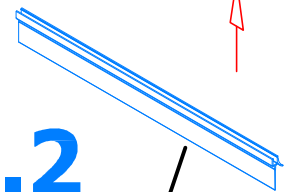
5.1 → 5.2



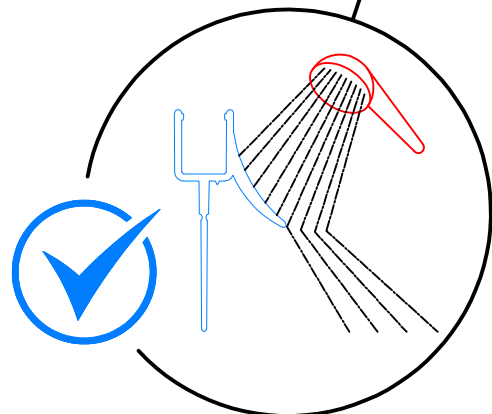
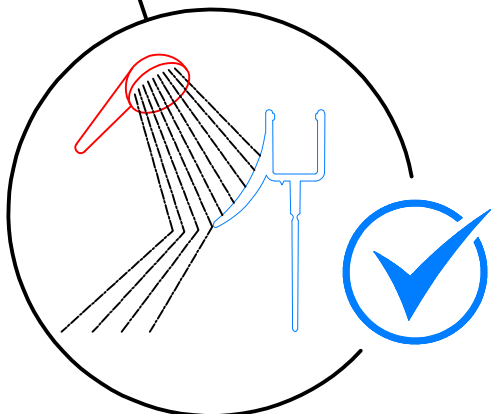
5.1



5.2



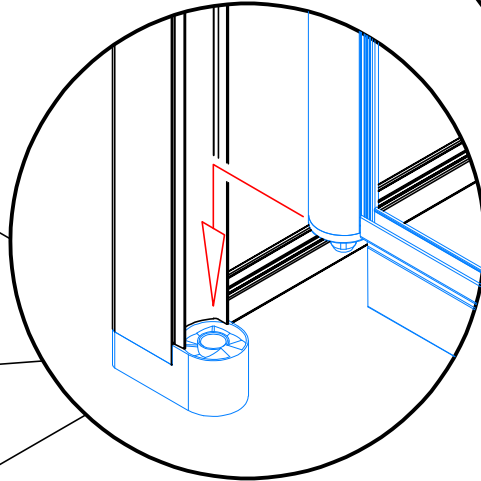
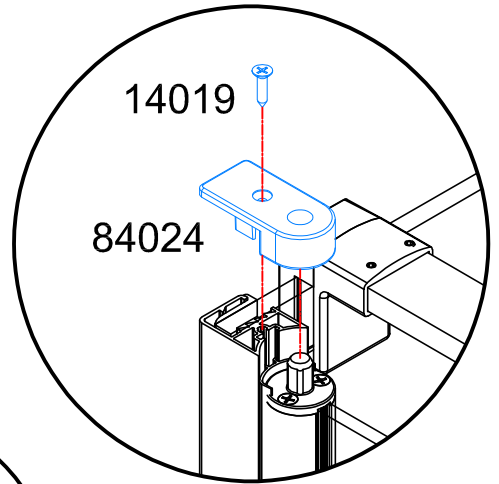
5.2



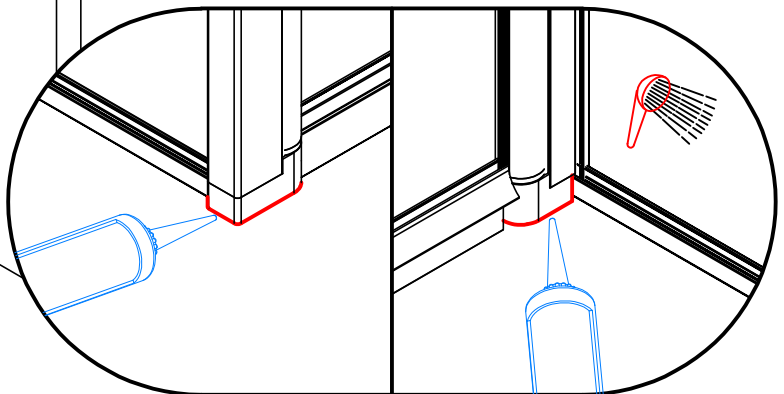
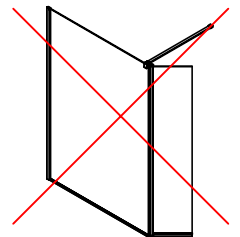
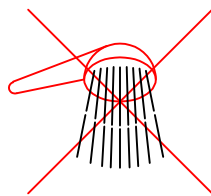
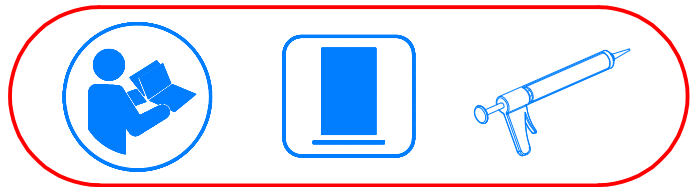
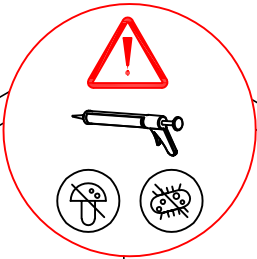
6.1 → 6.2

6.1

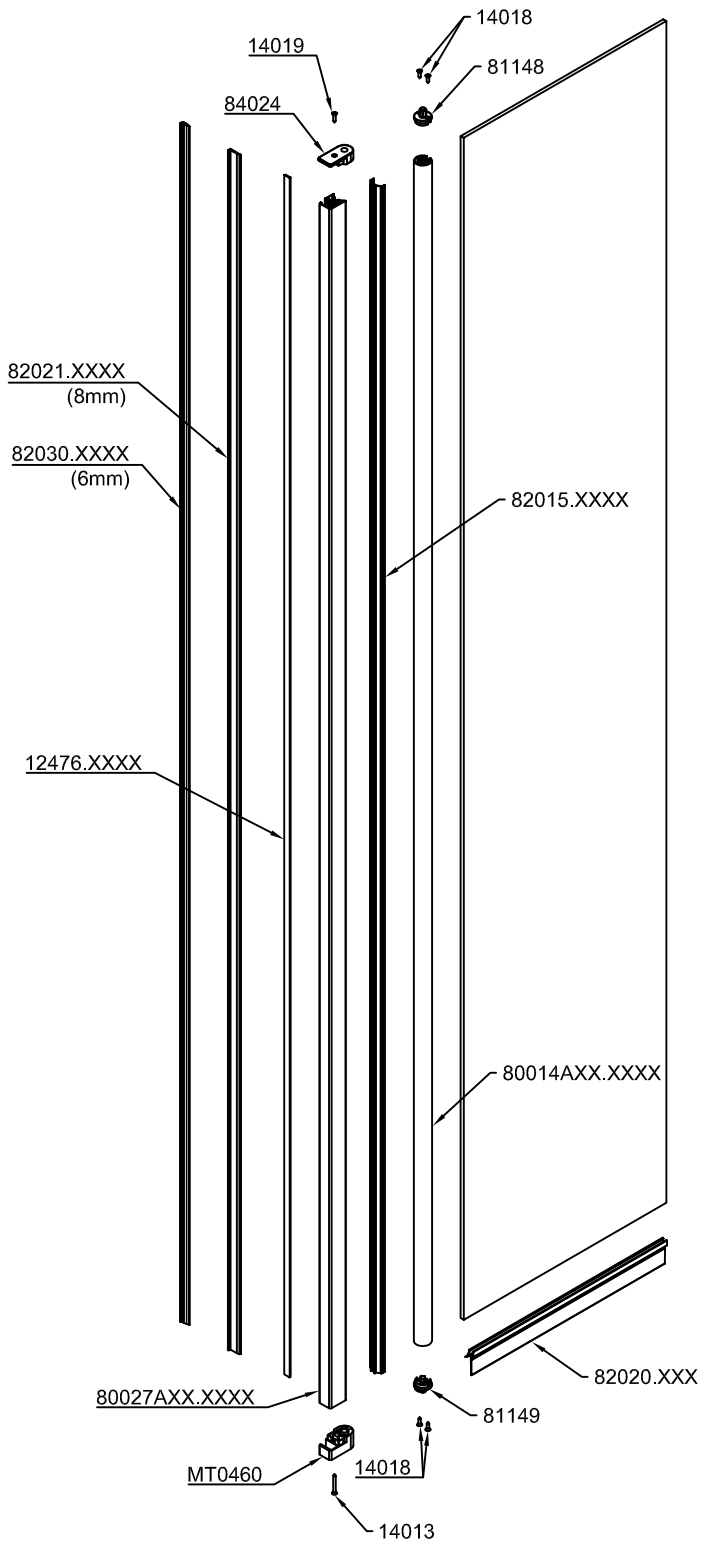
6.2



7.



BTE2L



BTE2R

