
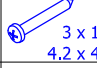



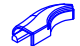
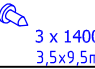
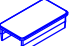





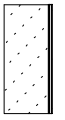

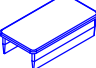
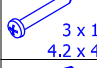


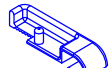
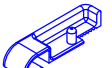
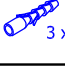

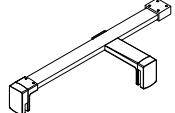
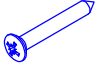


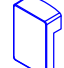

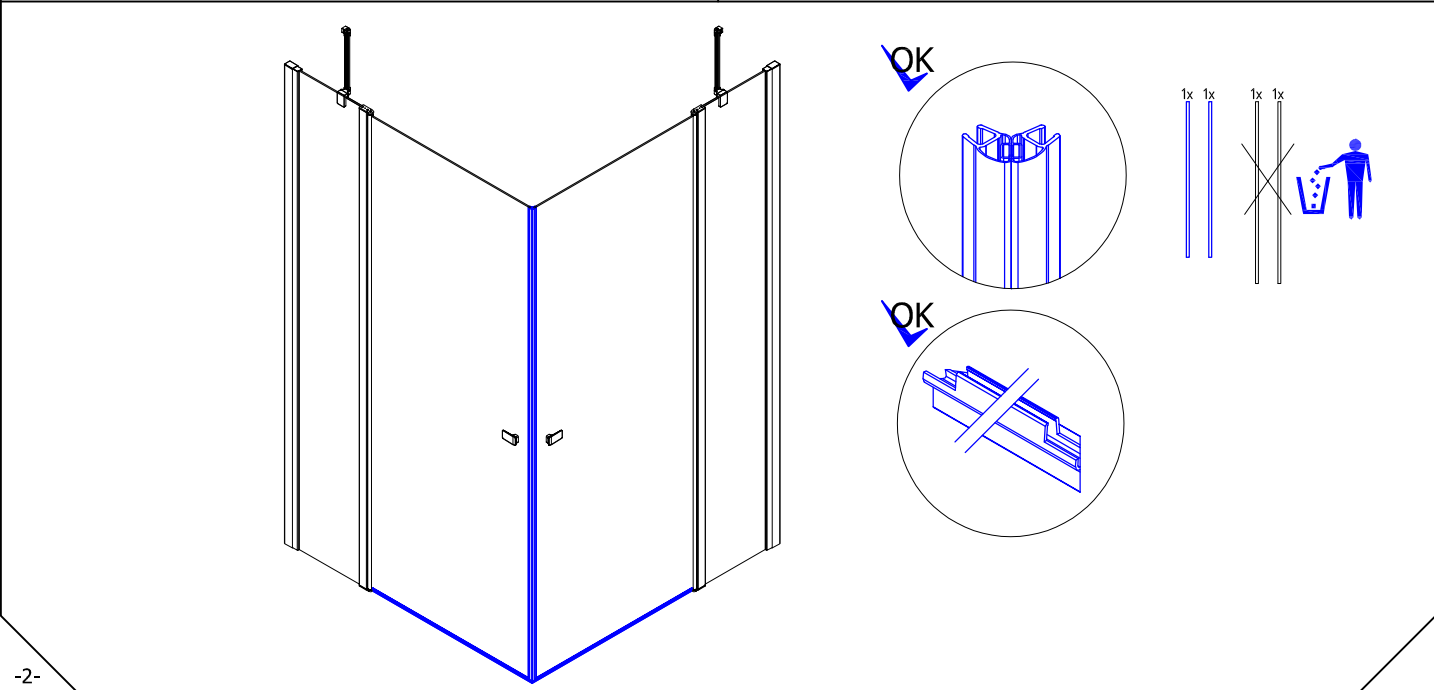
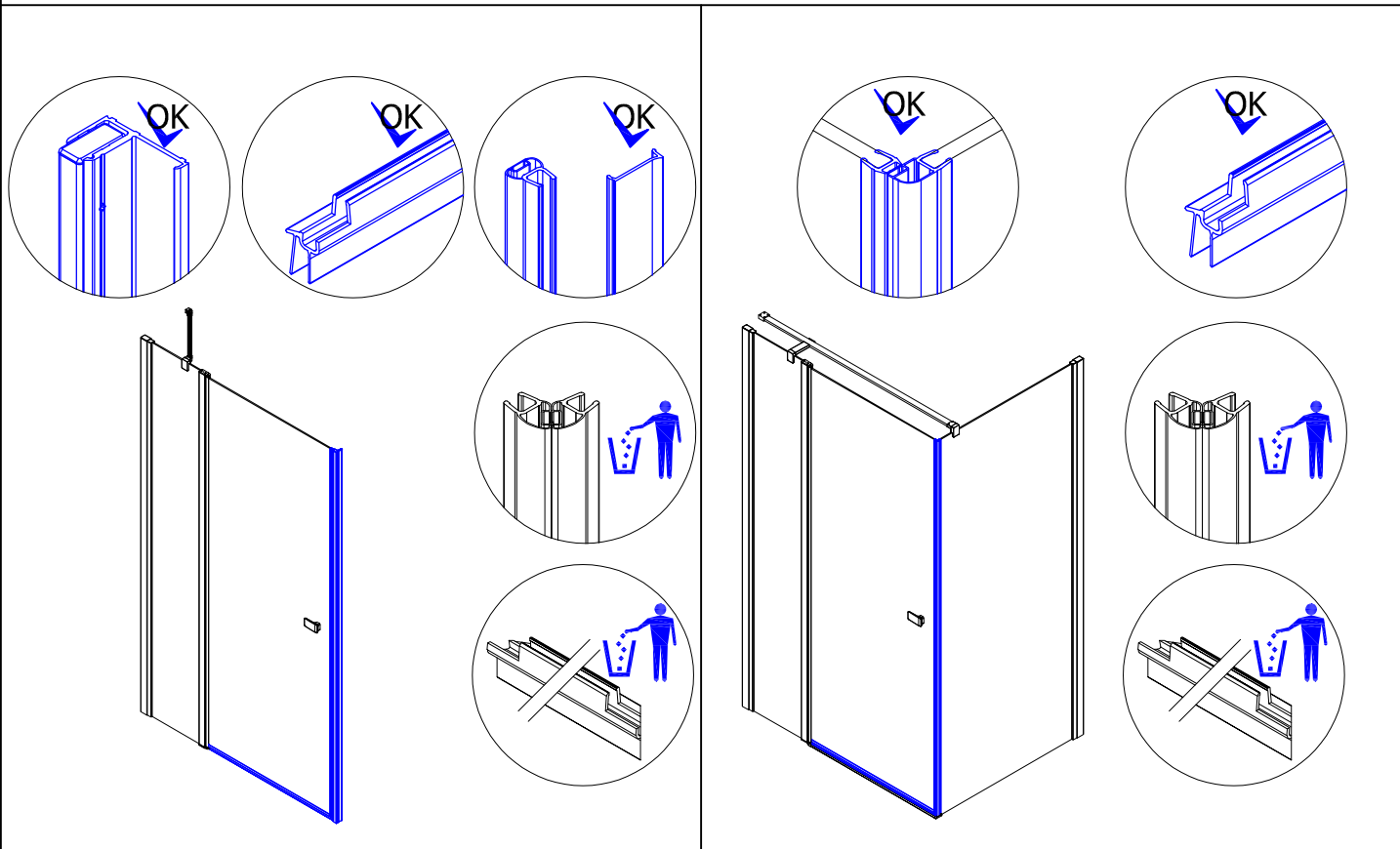
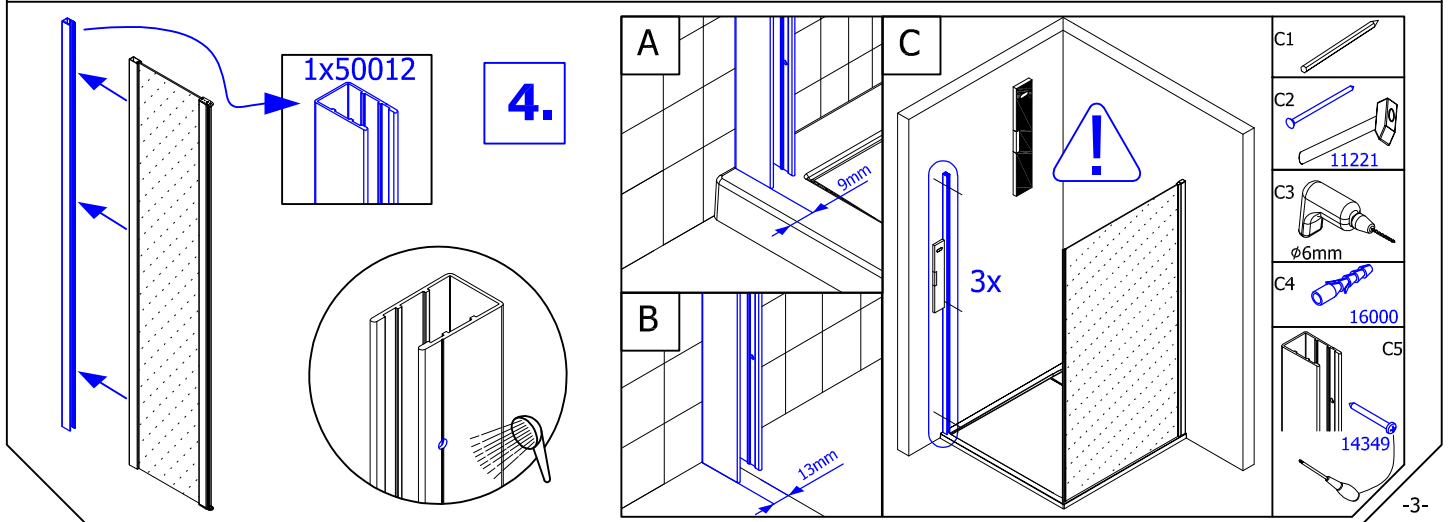
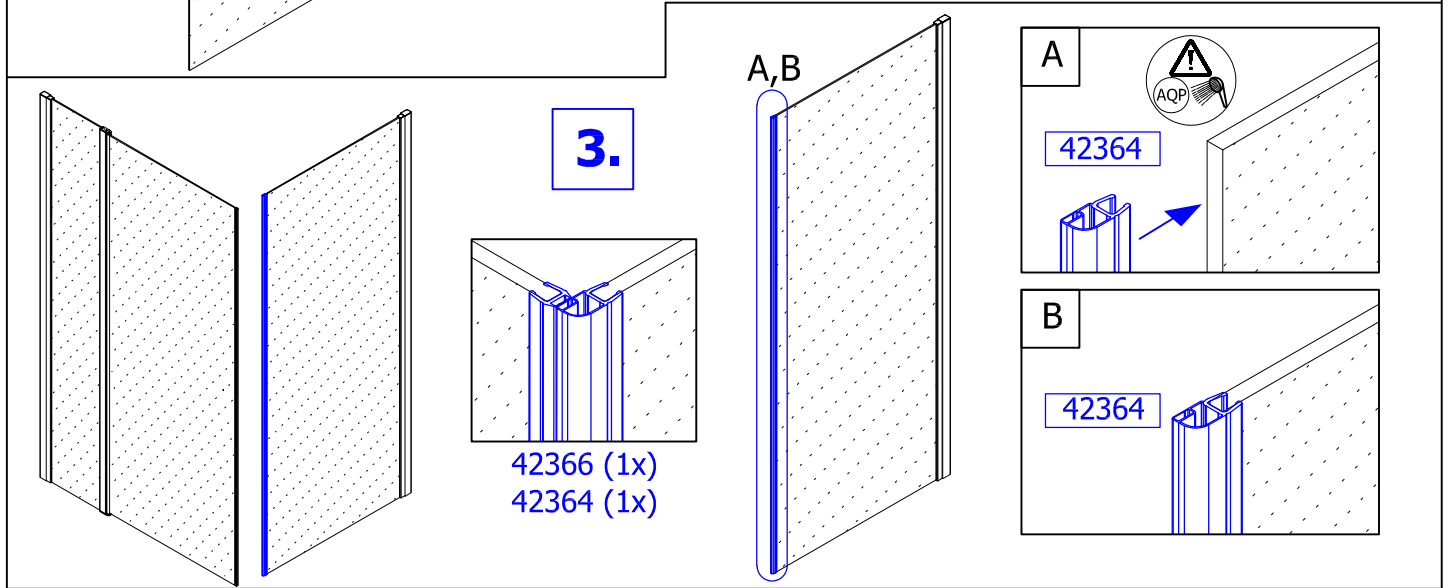
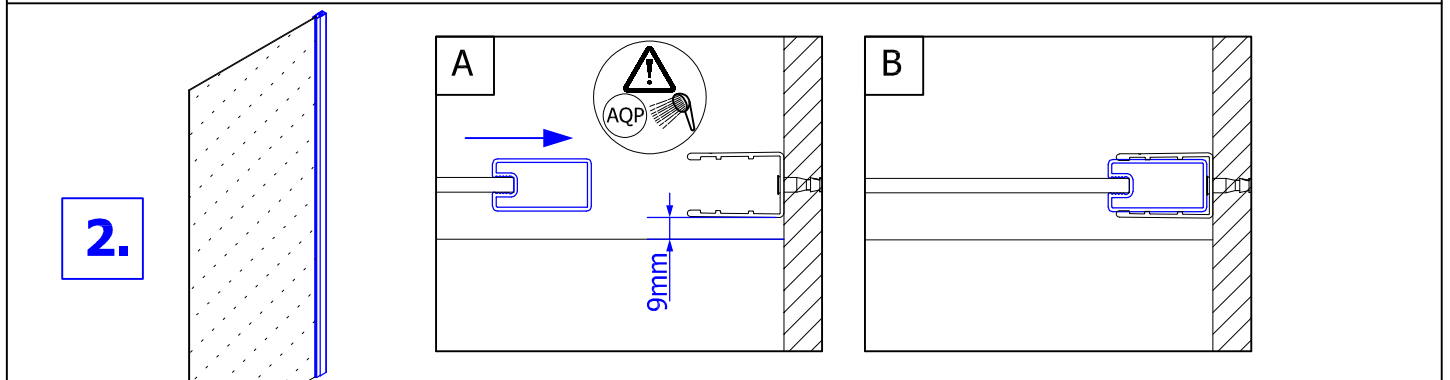
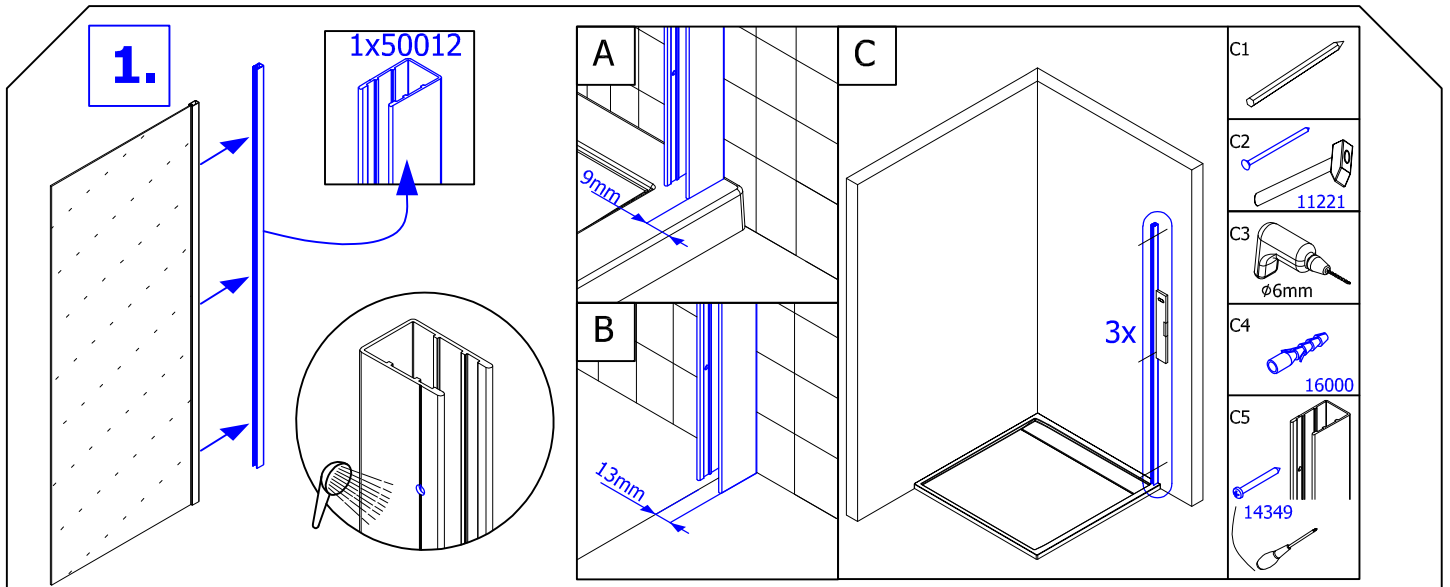
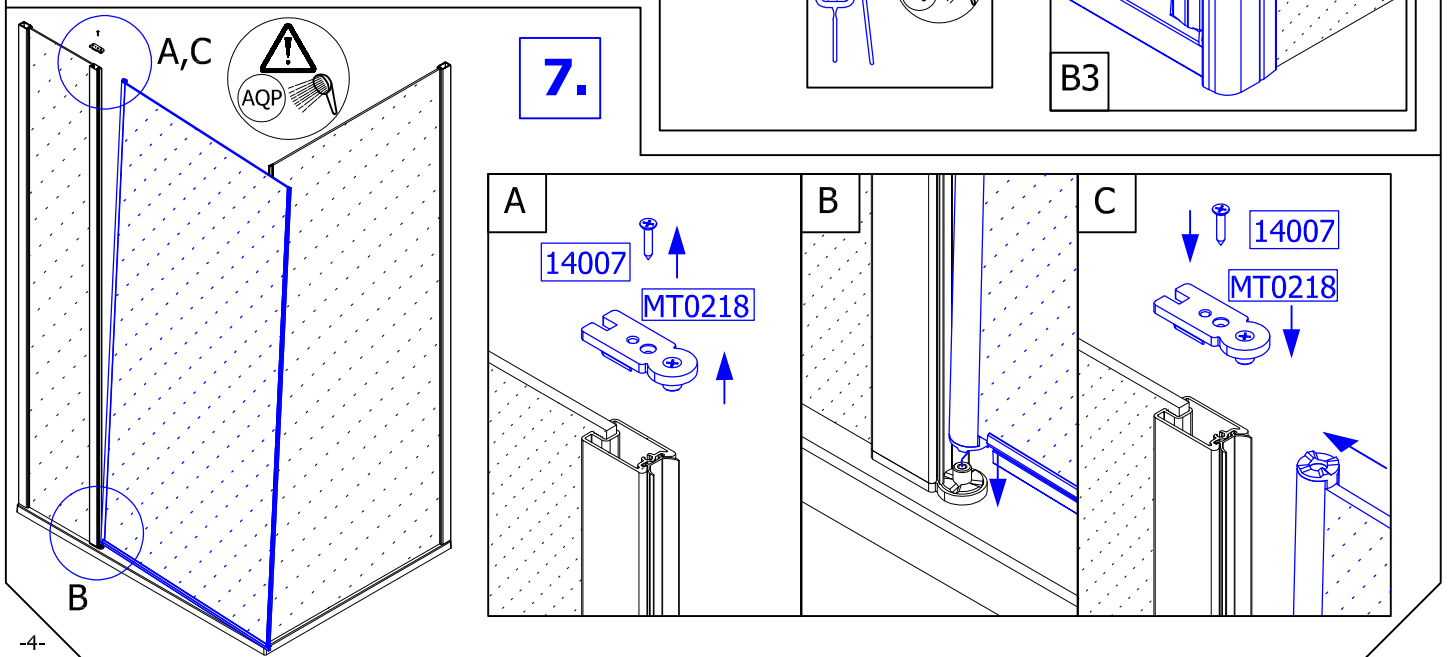
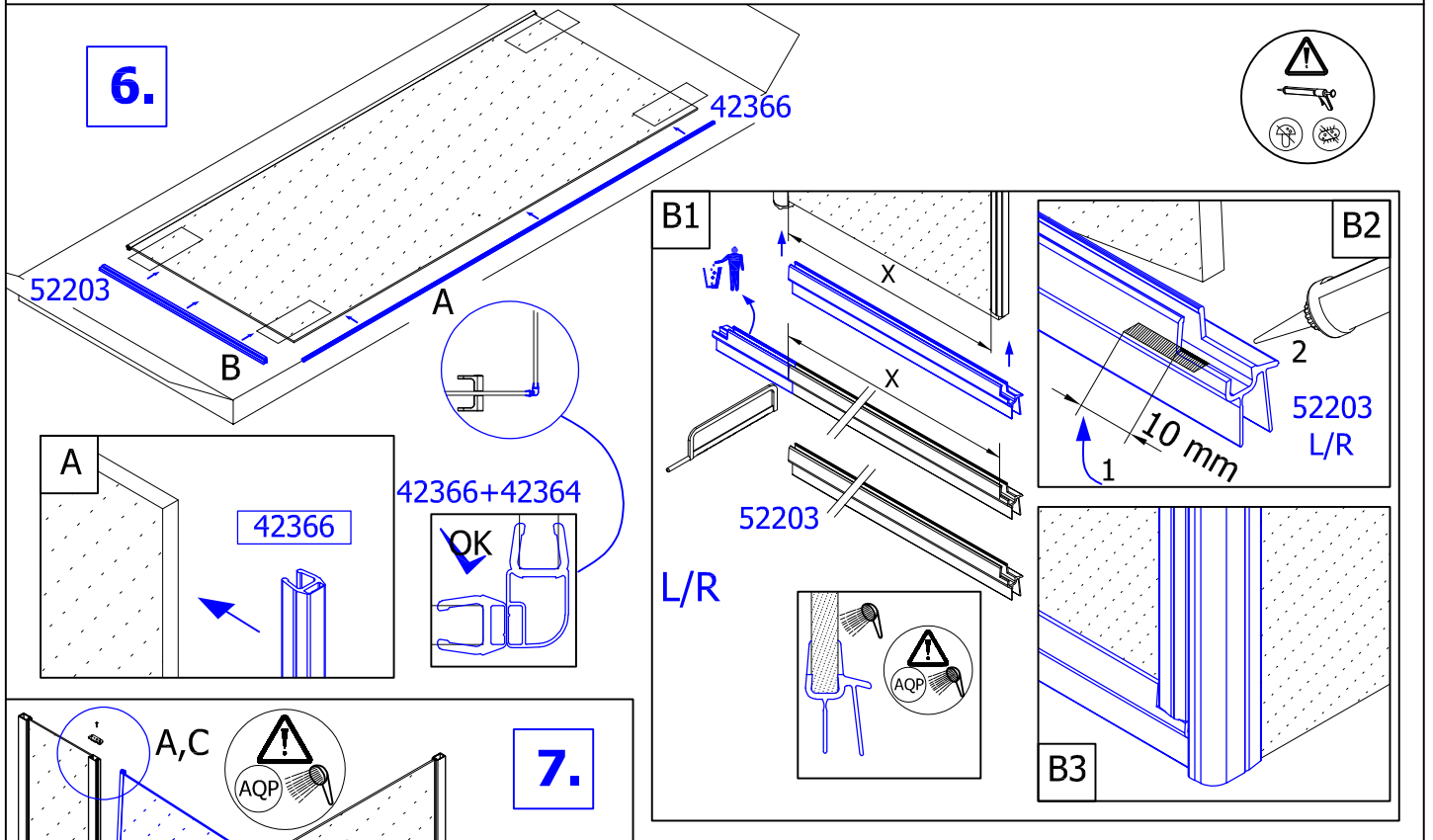
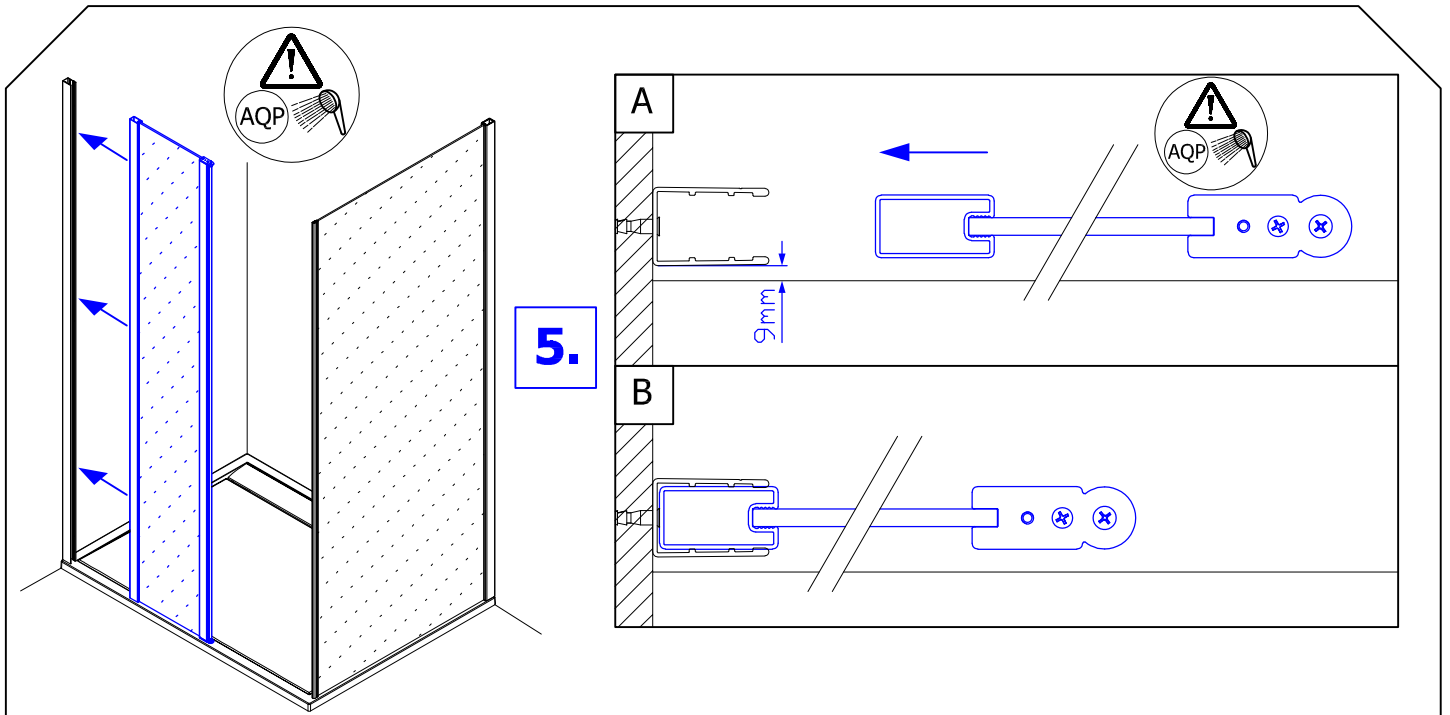
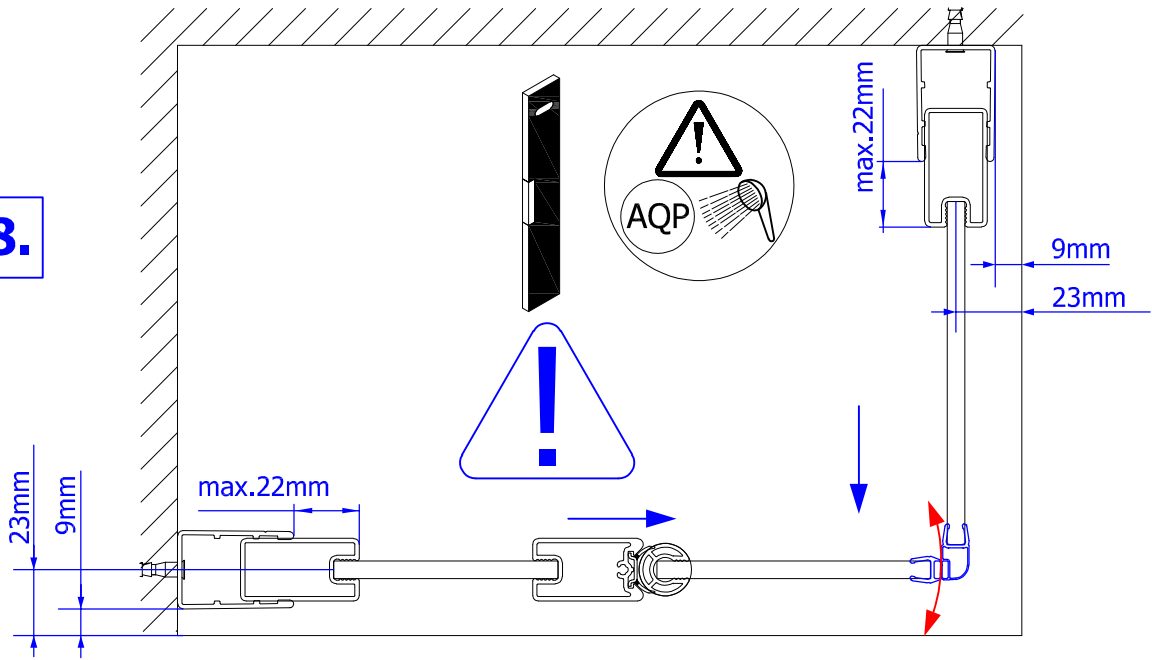
 1 x 11221	 1 x 51339	 3 x 14349 4.2 x 45mm	 3x51337	 1 x 51348	 1 x 51254	 1 x 51272
	 3 x 14003 3,5x9,5mm	 1 x 51399	 3x 16000 ø 6mm	 3x51338	 54013	 1 x 51253	 1 x 51273
	 1 x 51339	 1 x 51399	 3 x 14349 4.2 x 45mm	 3 x 14003 3,5x9,5mm	 3x51337	 1 x 51274	 1 x 51275
	 3 x 16000 ø 6mm				 3x51338		
 1 x 14001 4.2 x 38mm	 1 x 16000 ø 6mm	 1 x 11221	 17165-2,5mm 17158-2mm 17159-3mm	 1x51416	 1x51615		



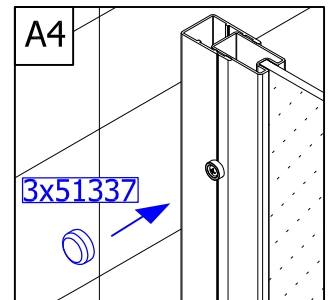
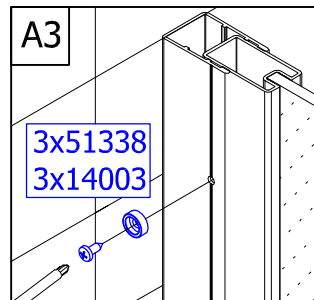
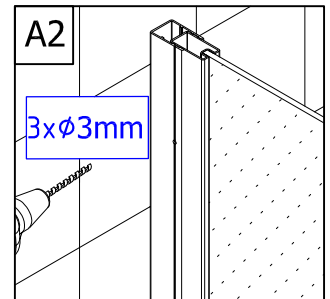
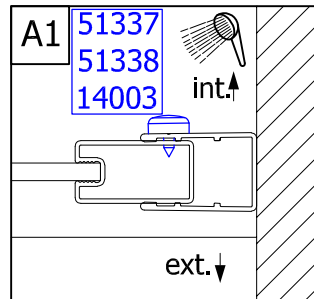
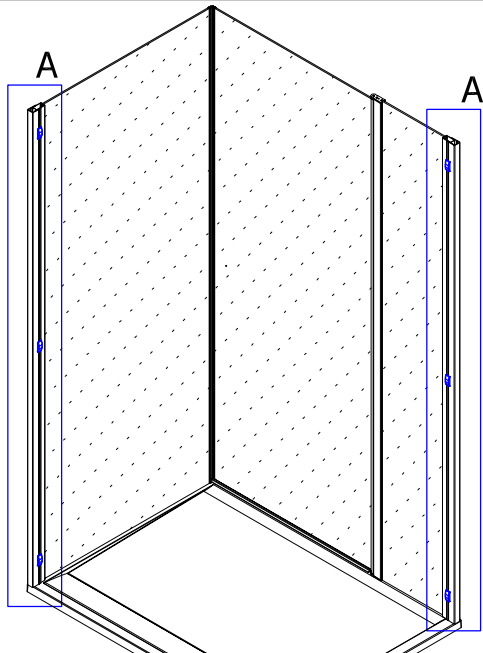




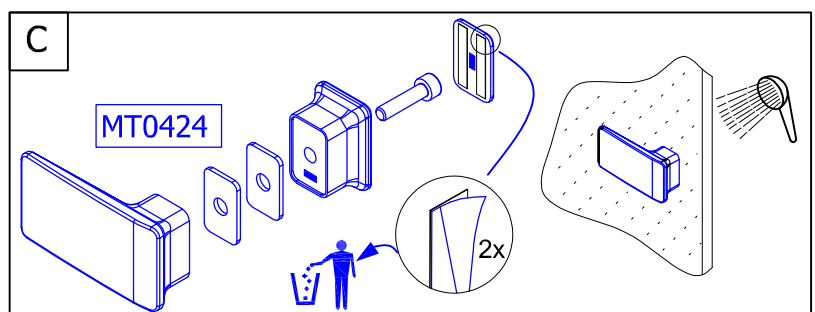
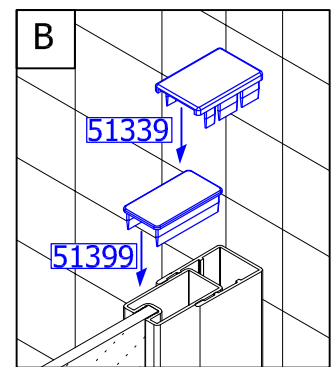
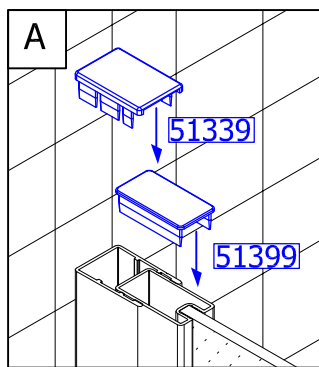
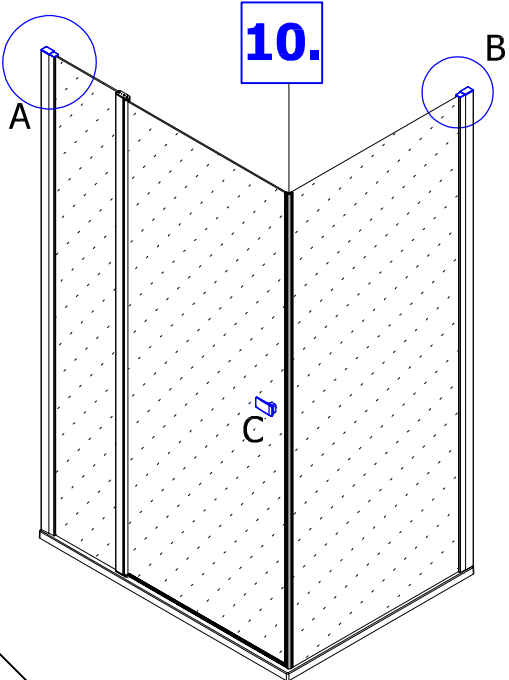
8.

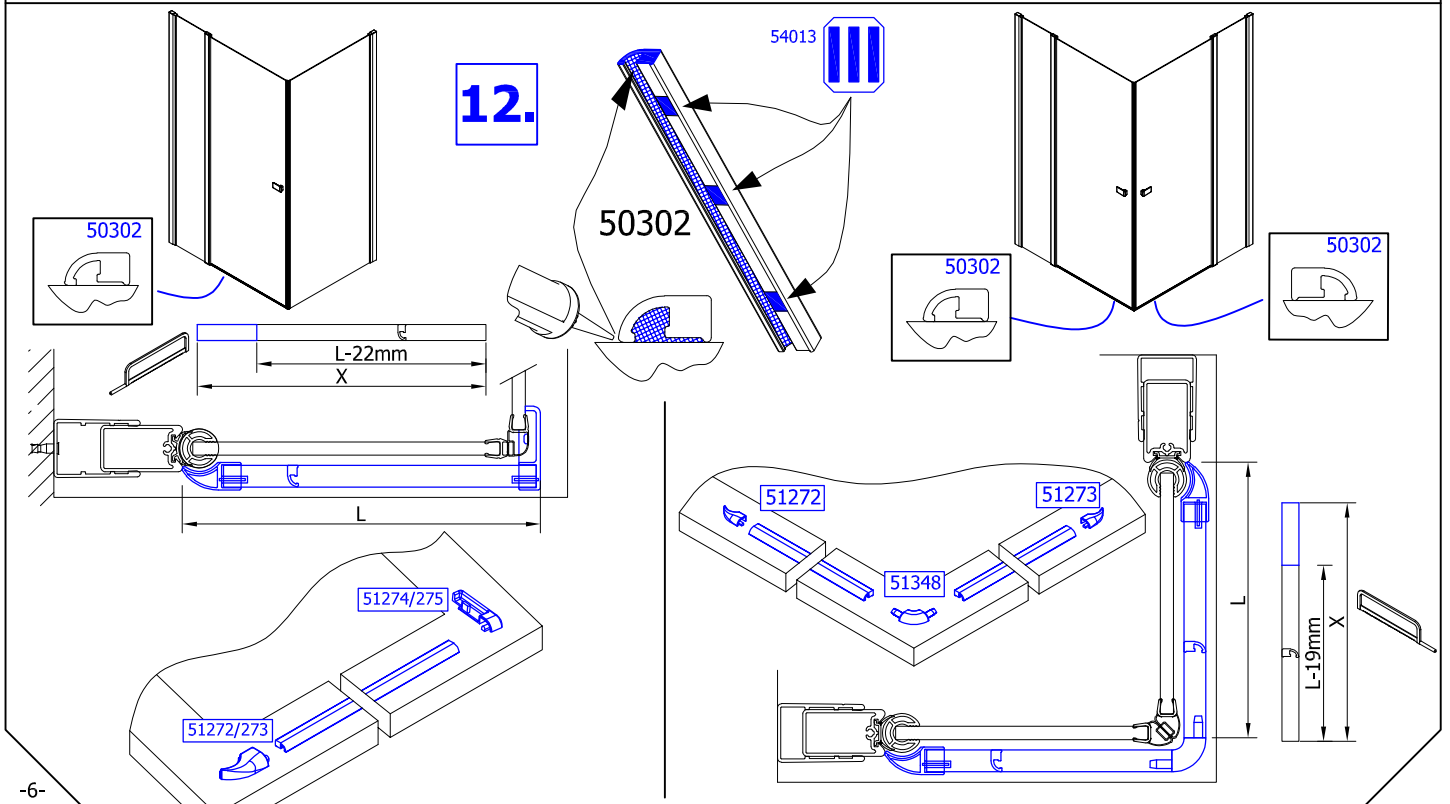
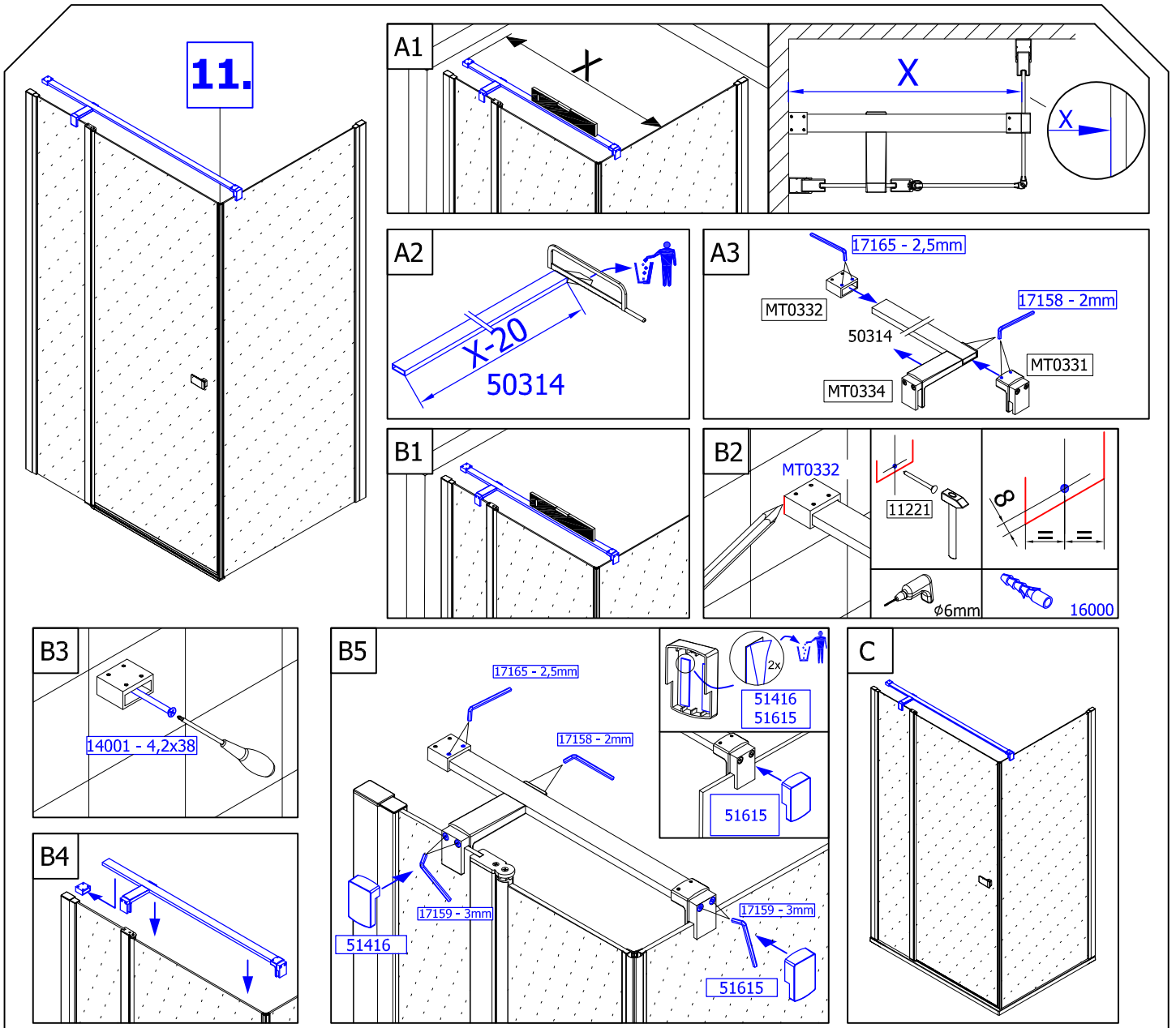


9.

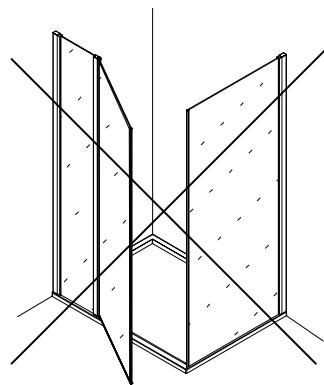
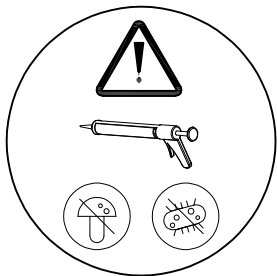
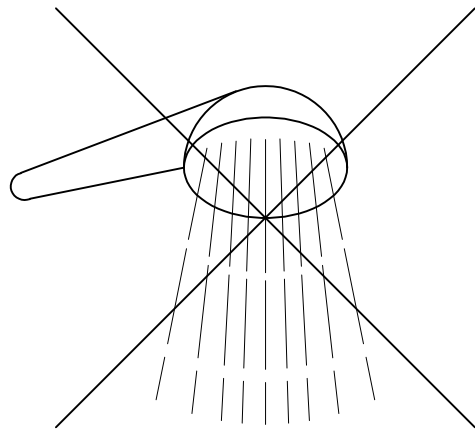
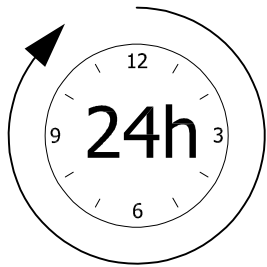
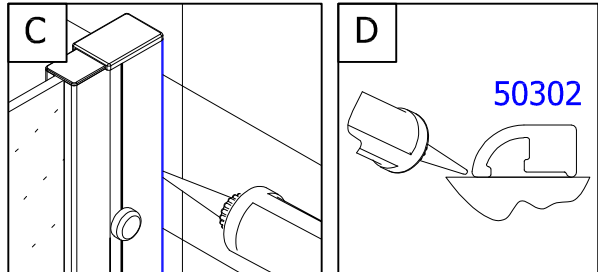
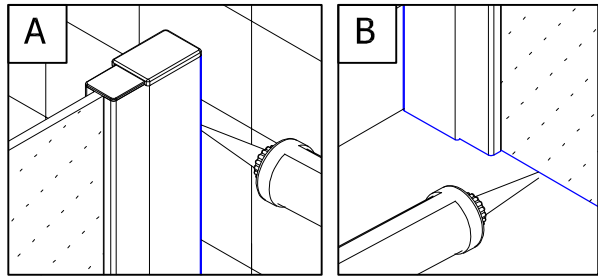
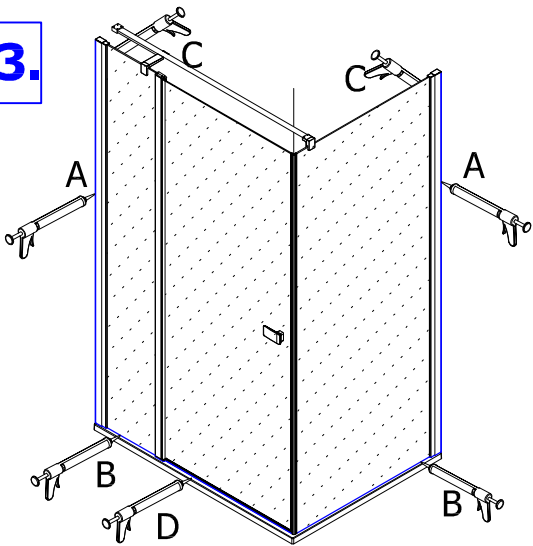


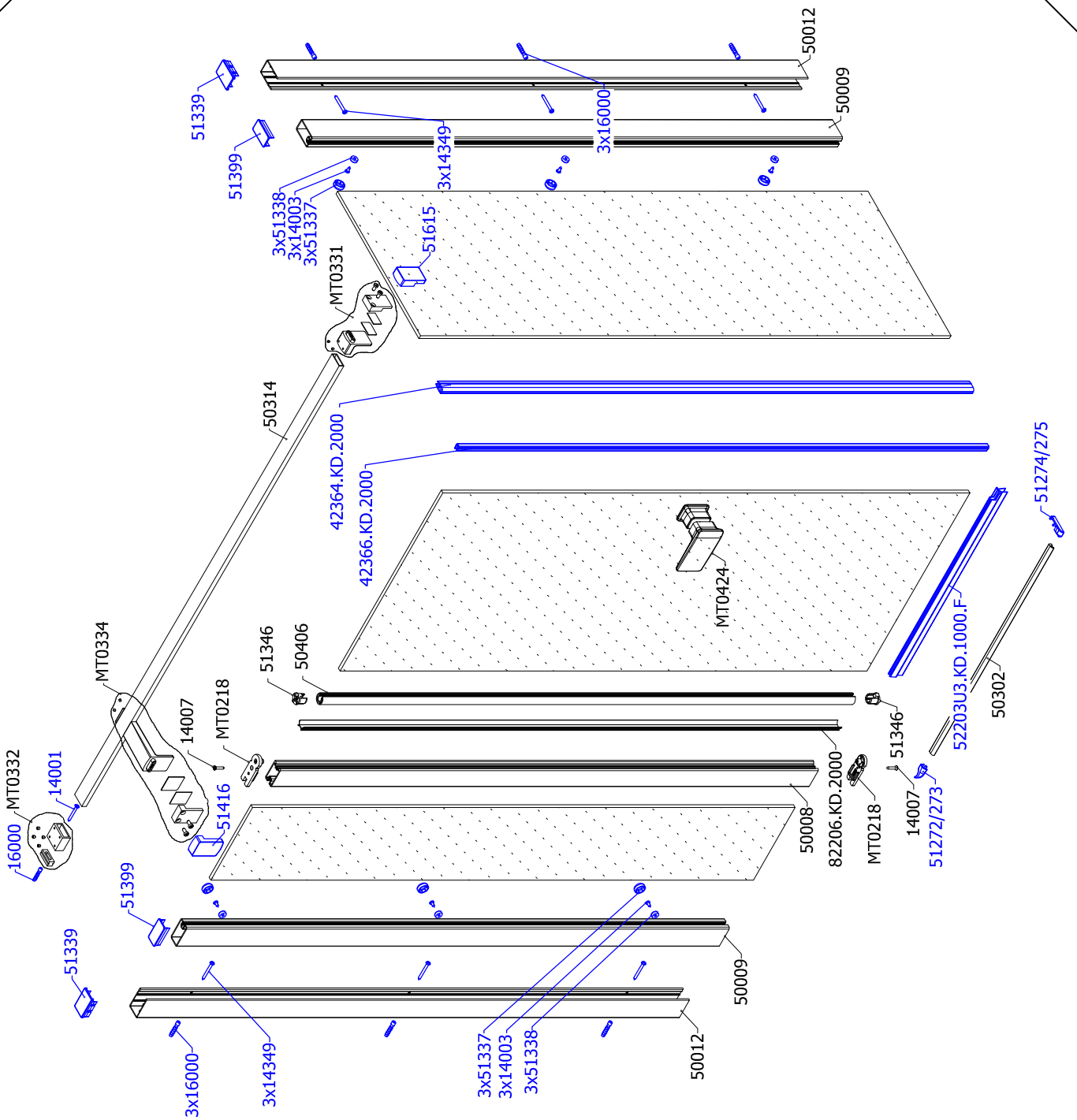
10.



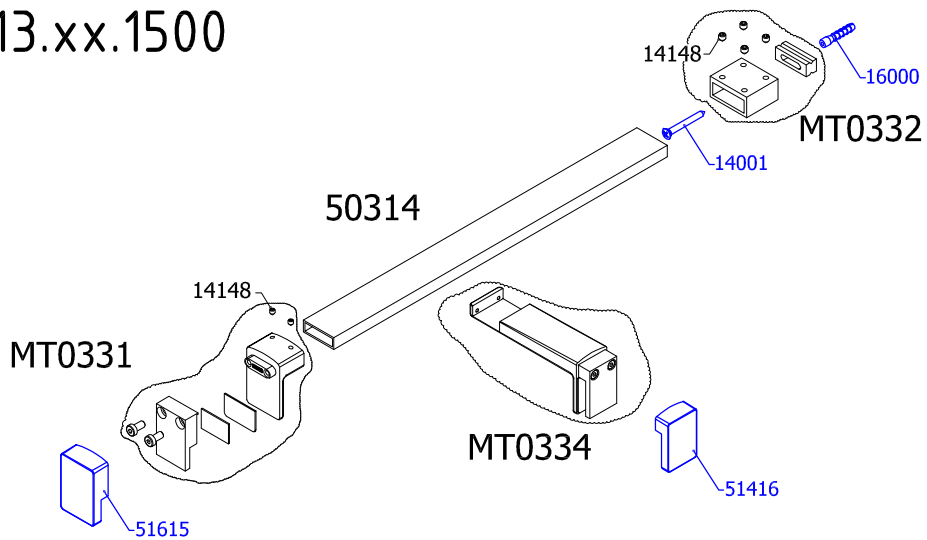


13.

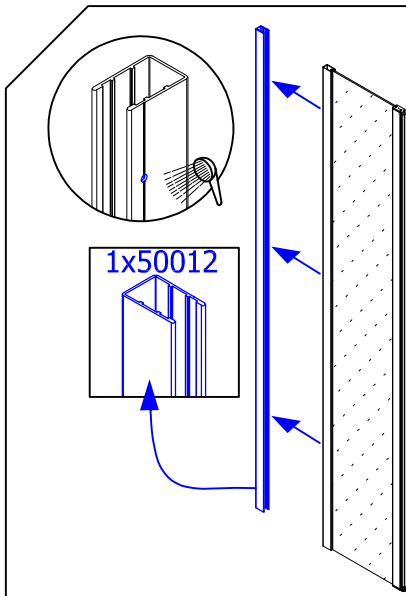




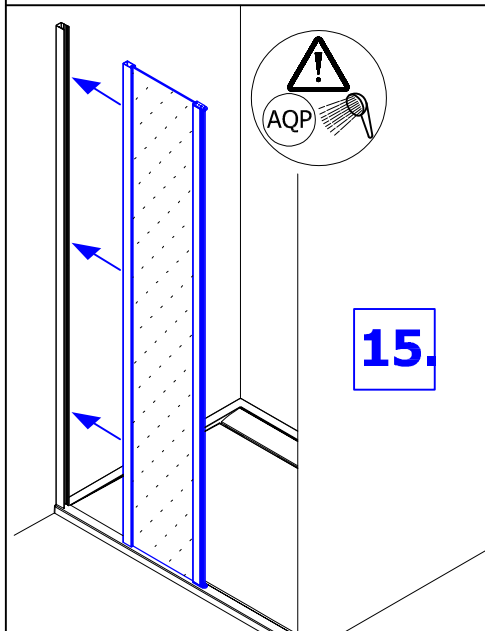
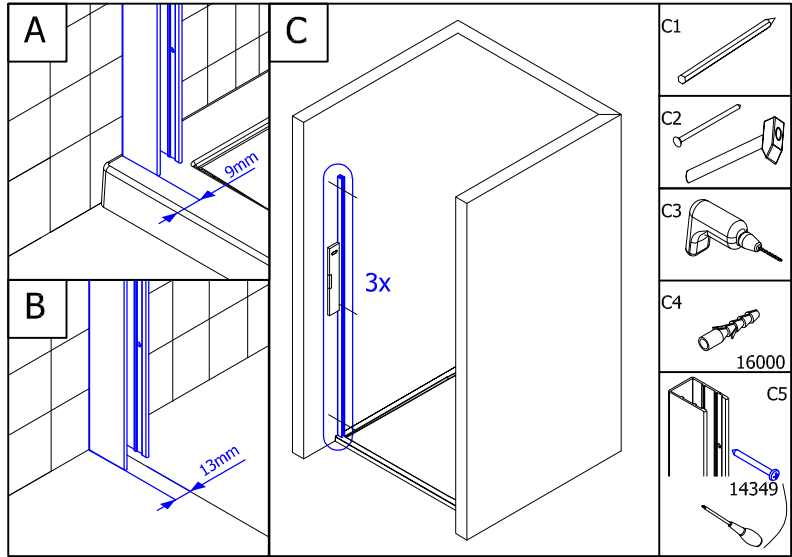
# SD10P13.xx.1500



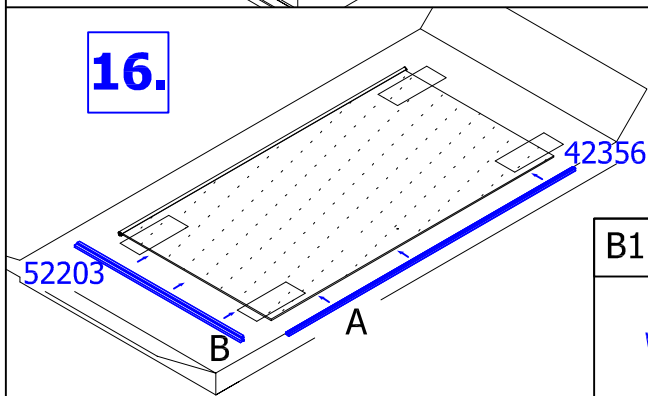
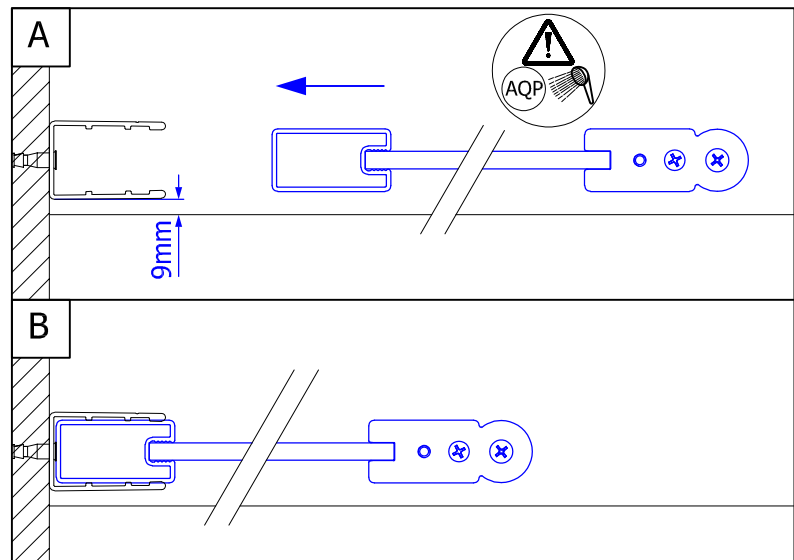




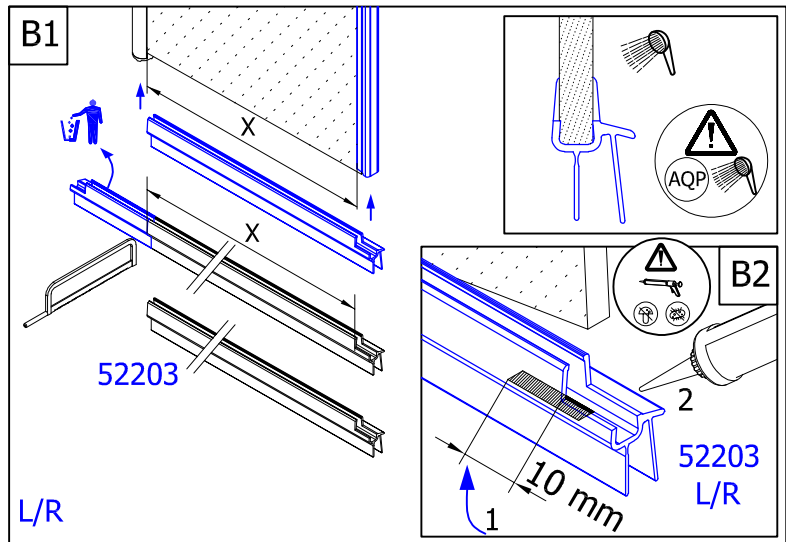
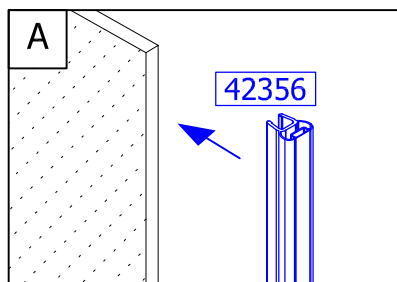
**14.**

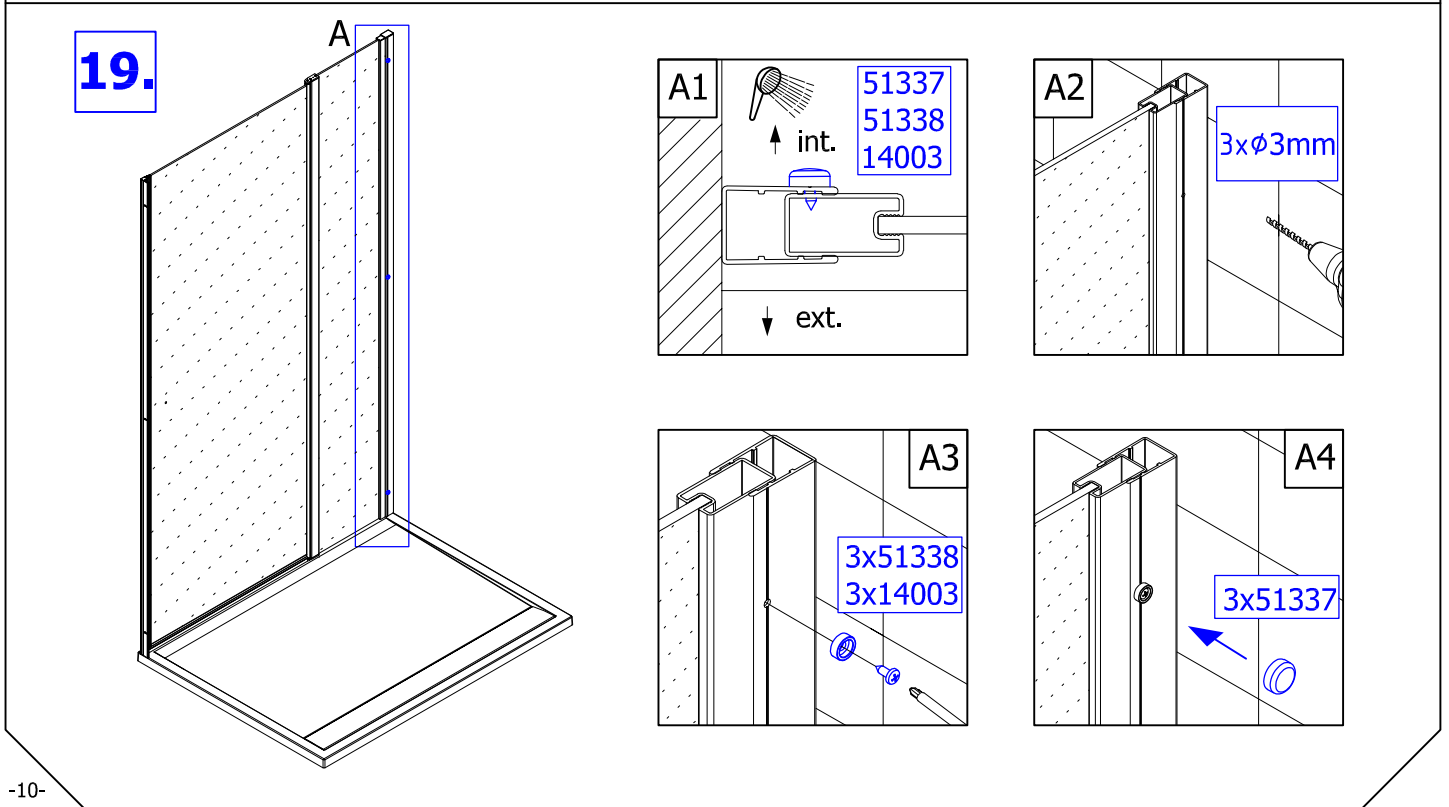
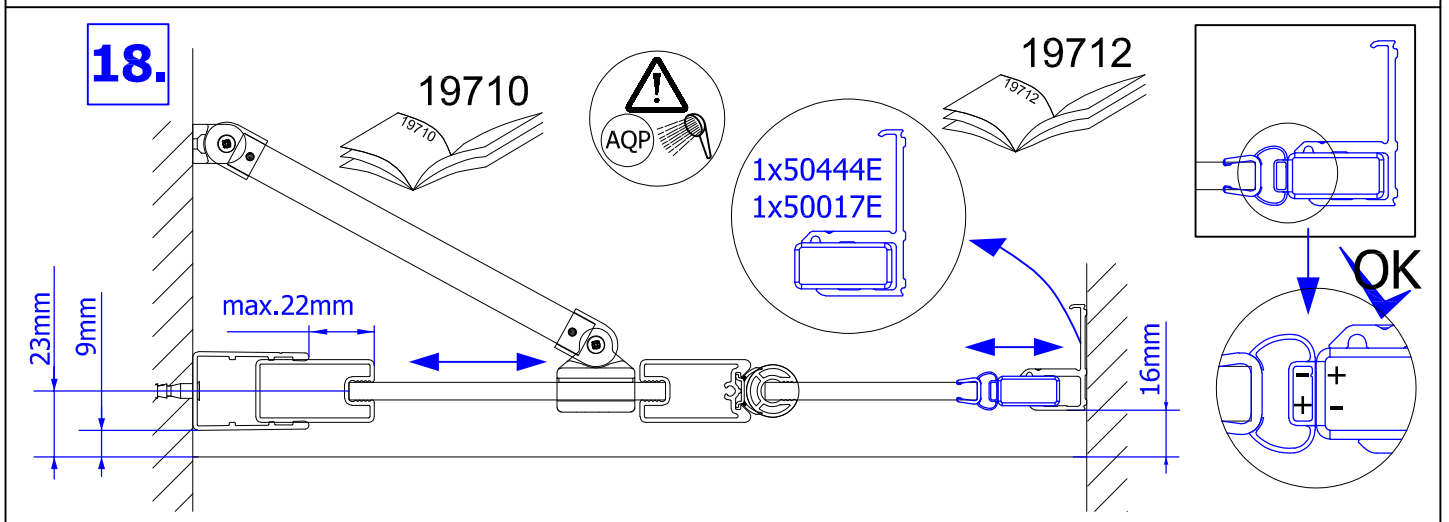
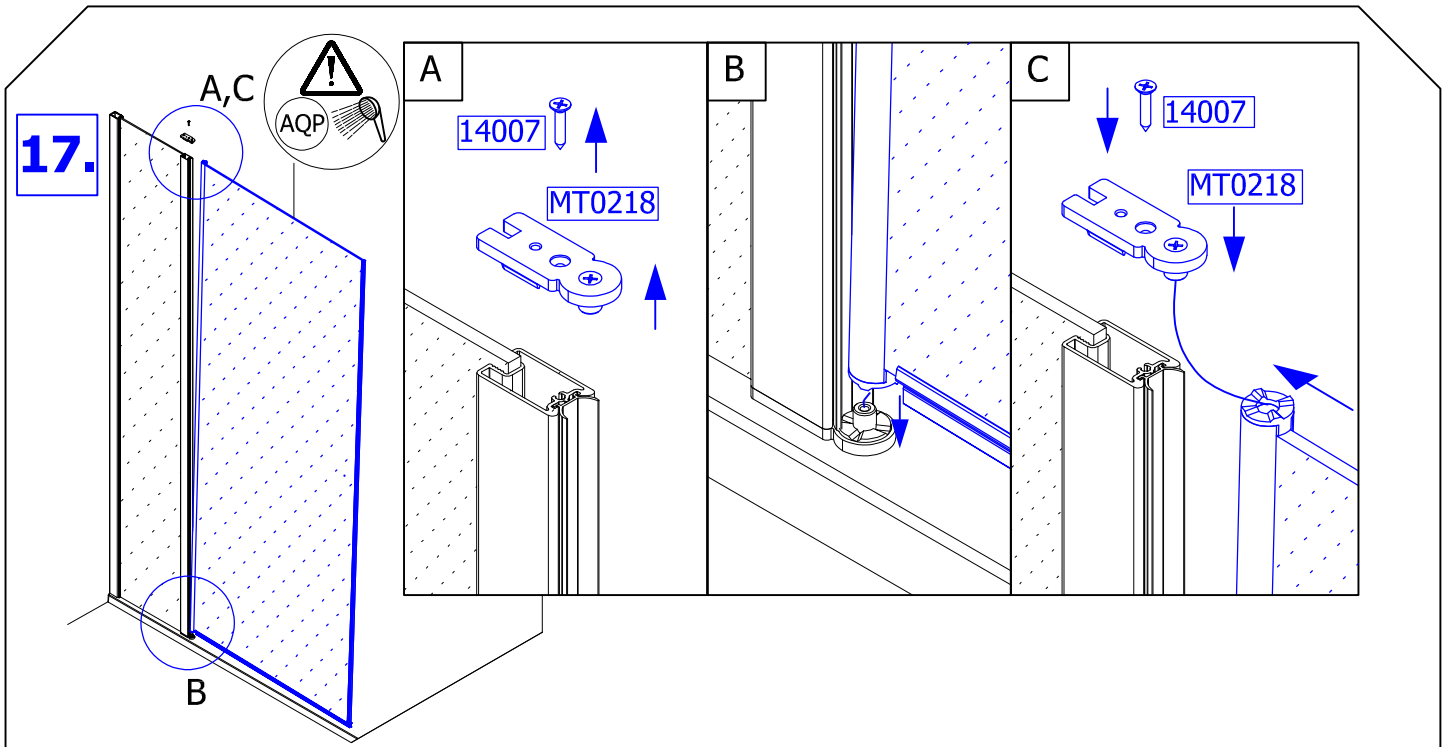


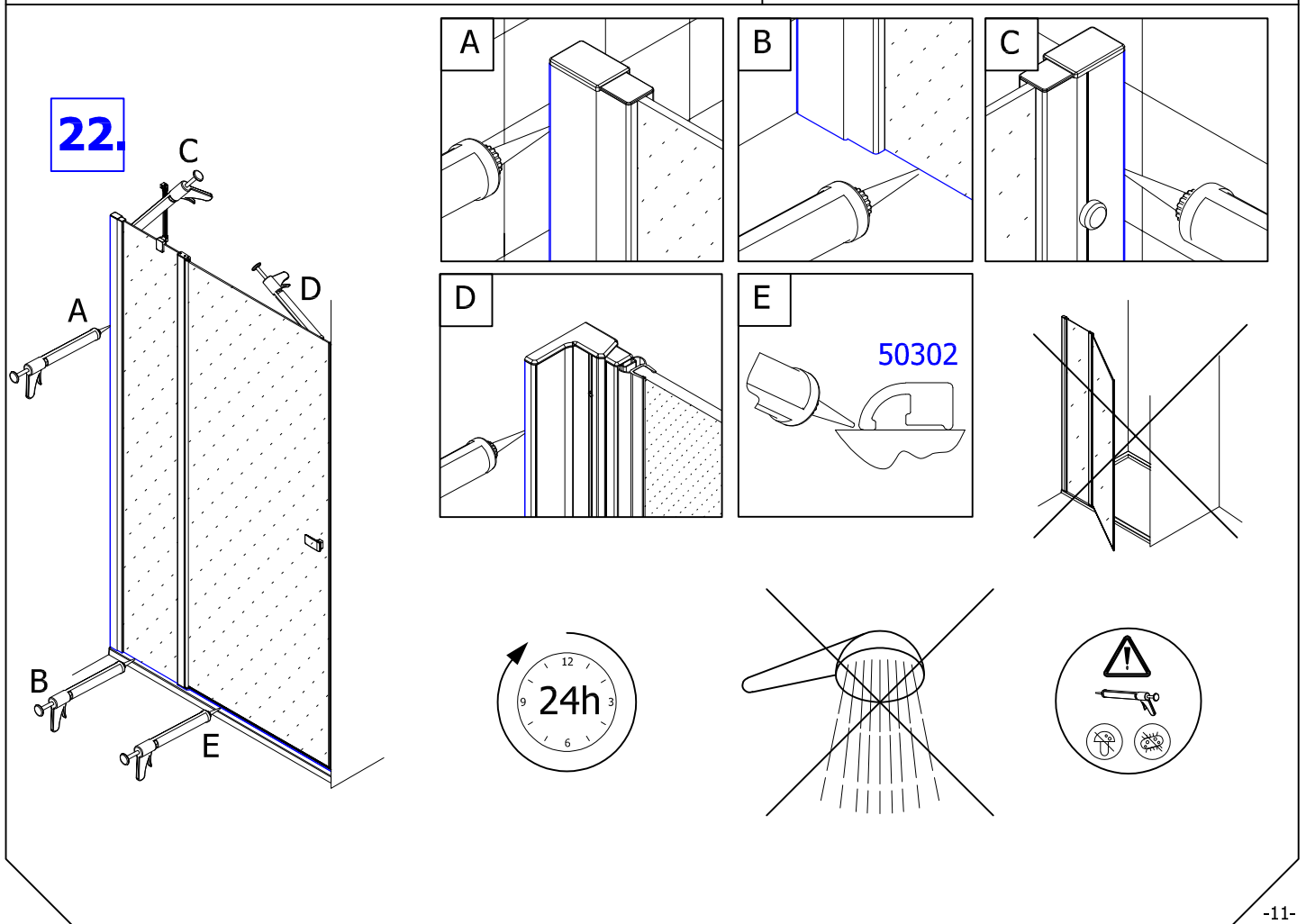
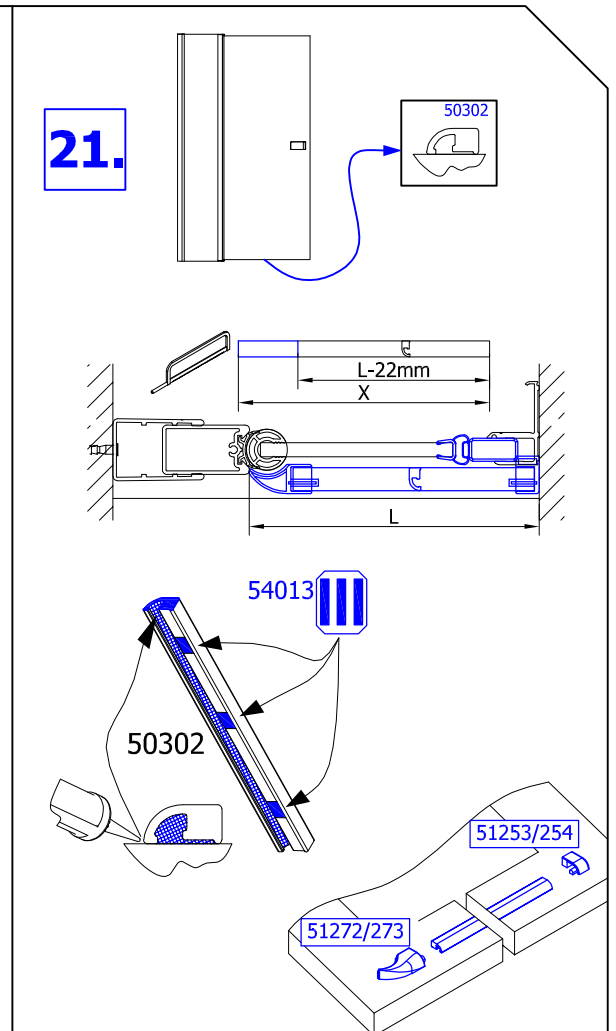
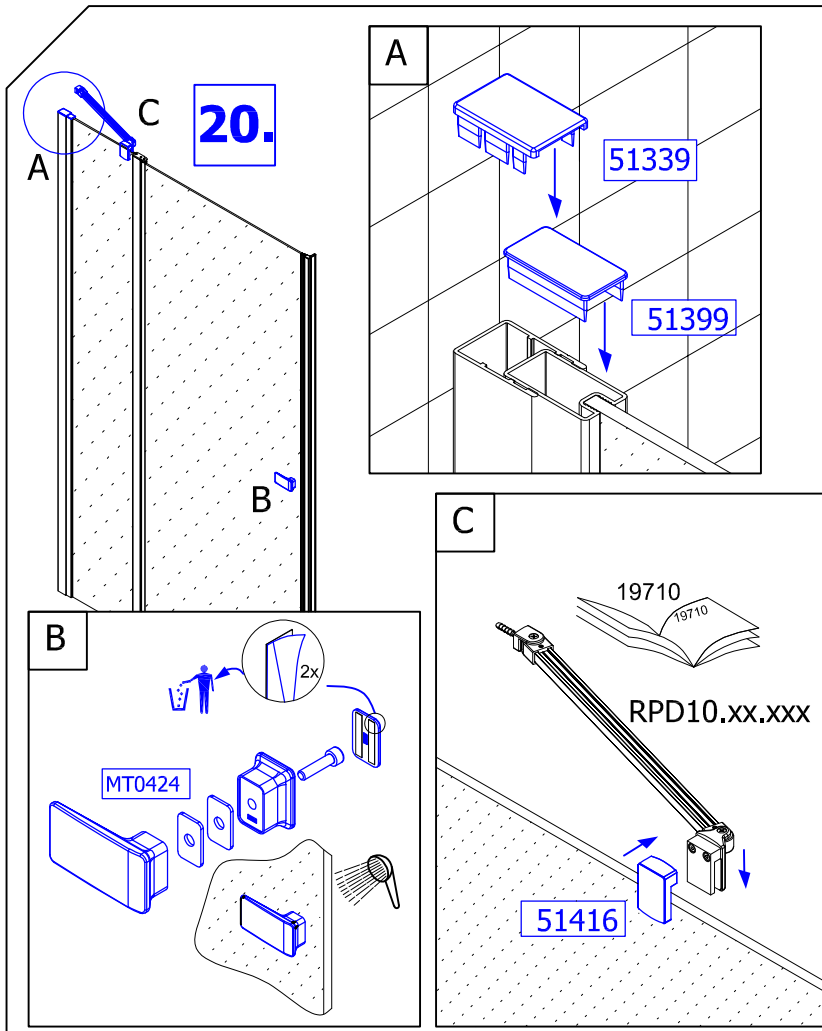
**15.**

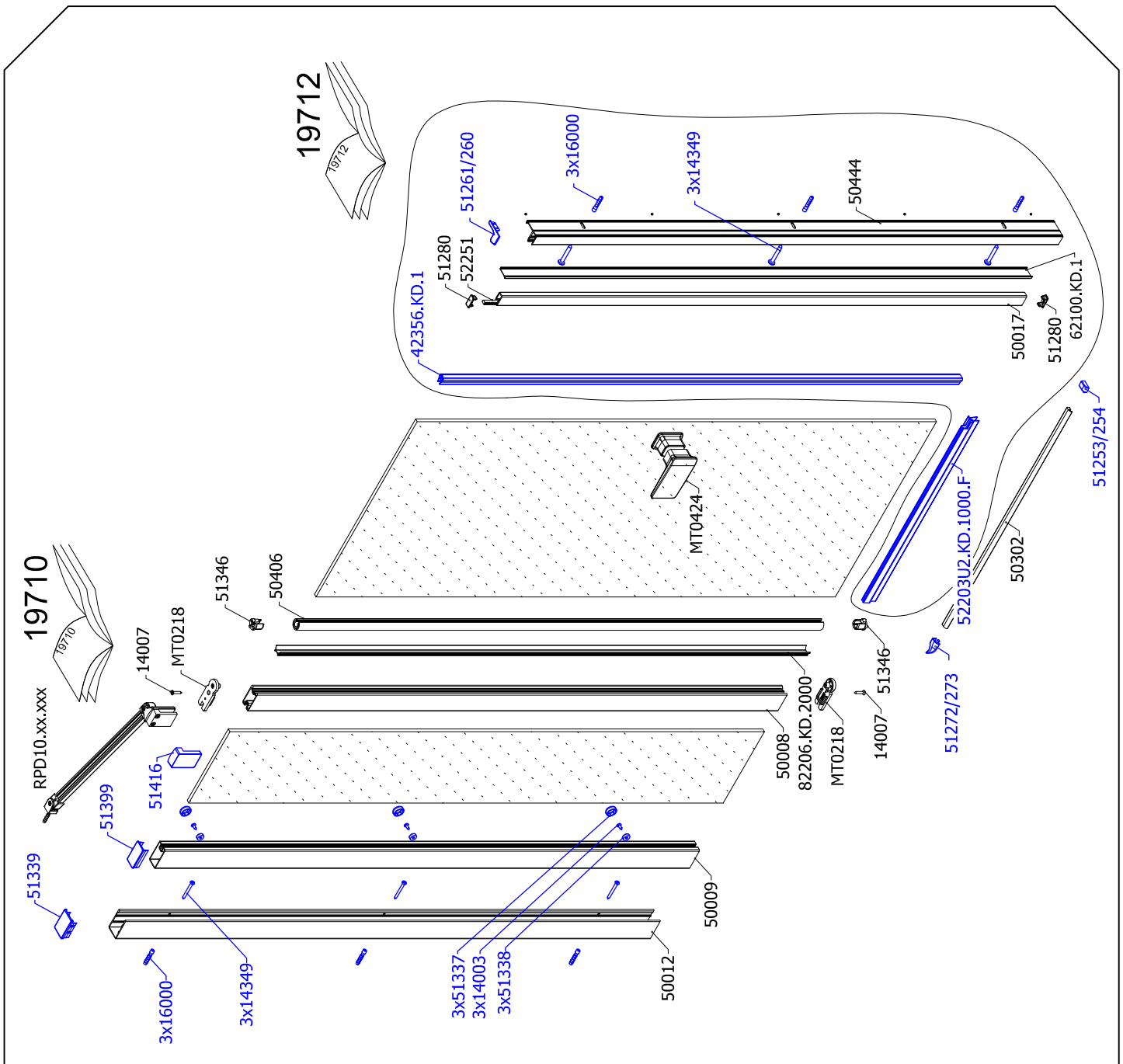


**16.**









<p>50444E+50017E</p>	<p>62100.KD.1</p>	<p>52203U2.KD.1000.F</p>	<p>42356.KD.1</p>
----------------------	-------------------	--------------------------	-------------------

19712

