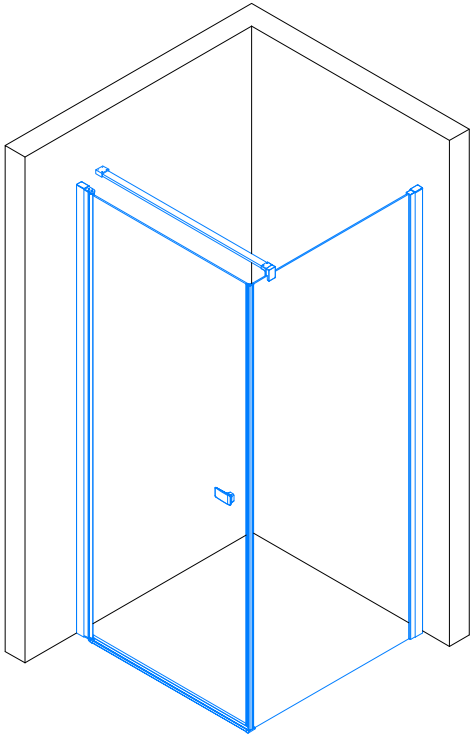


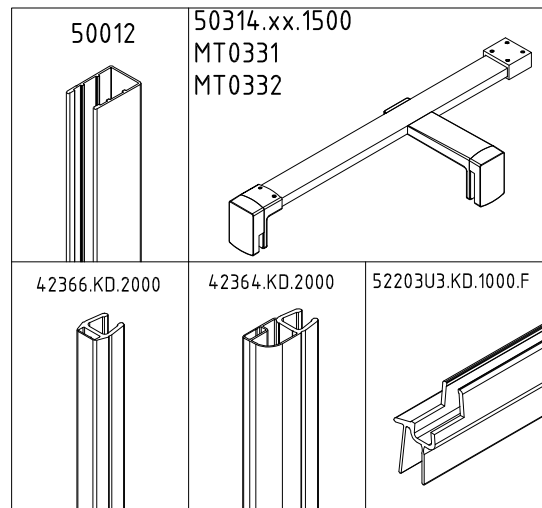
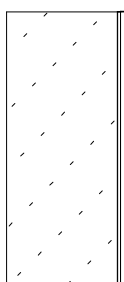
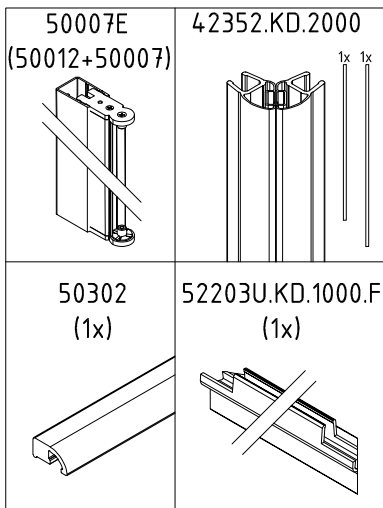
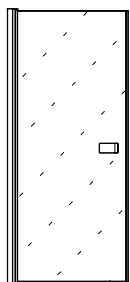
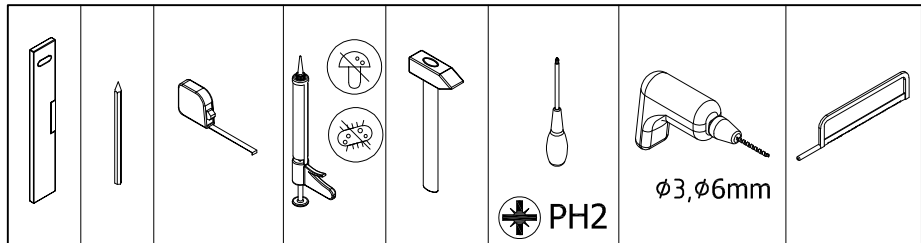
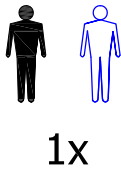
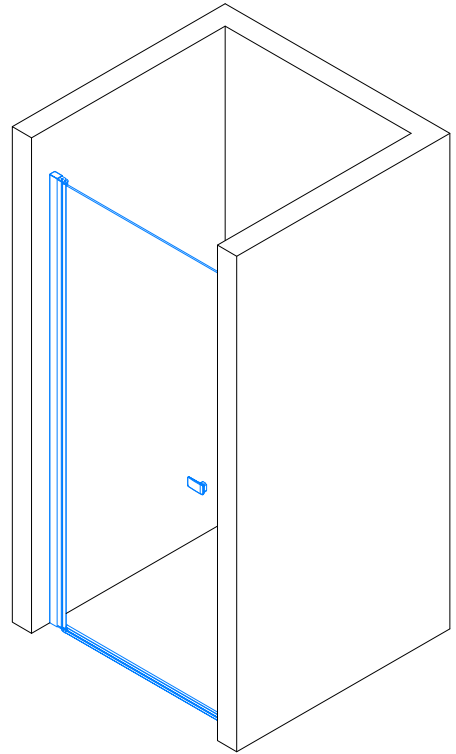
# 19700



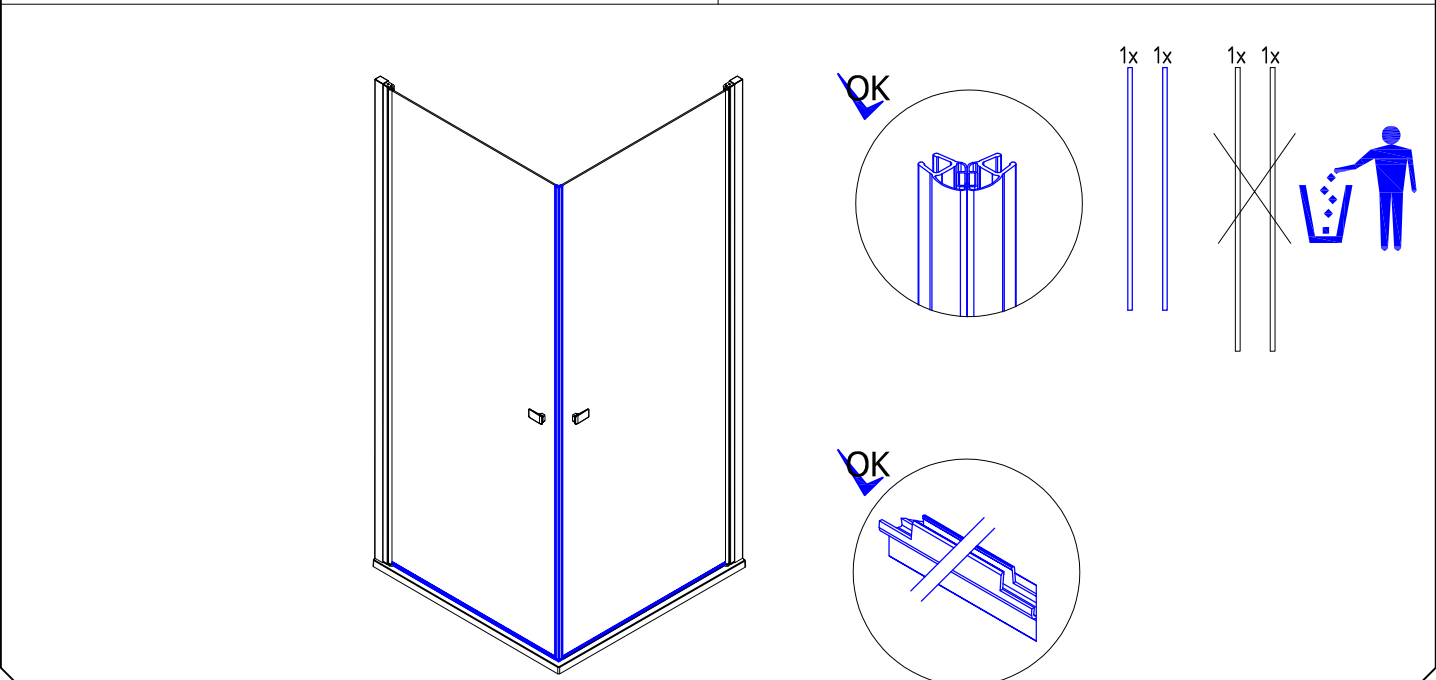
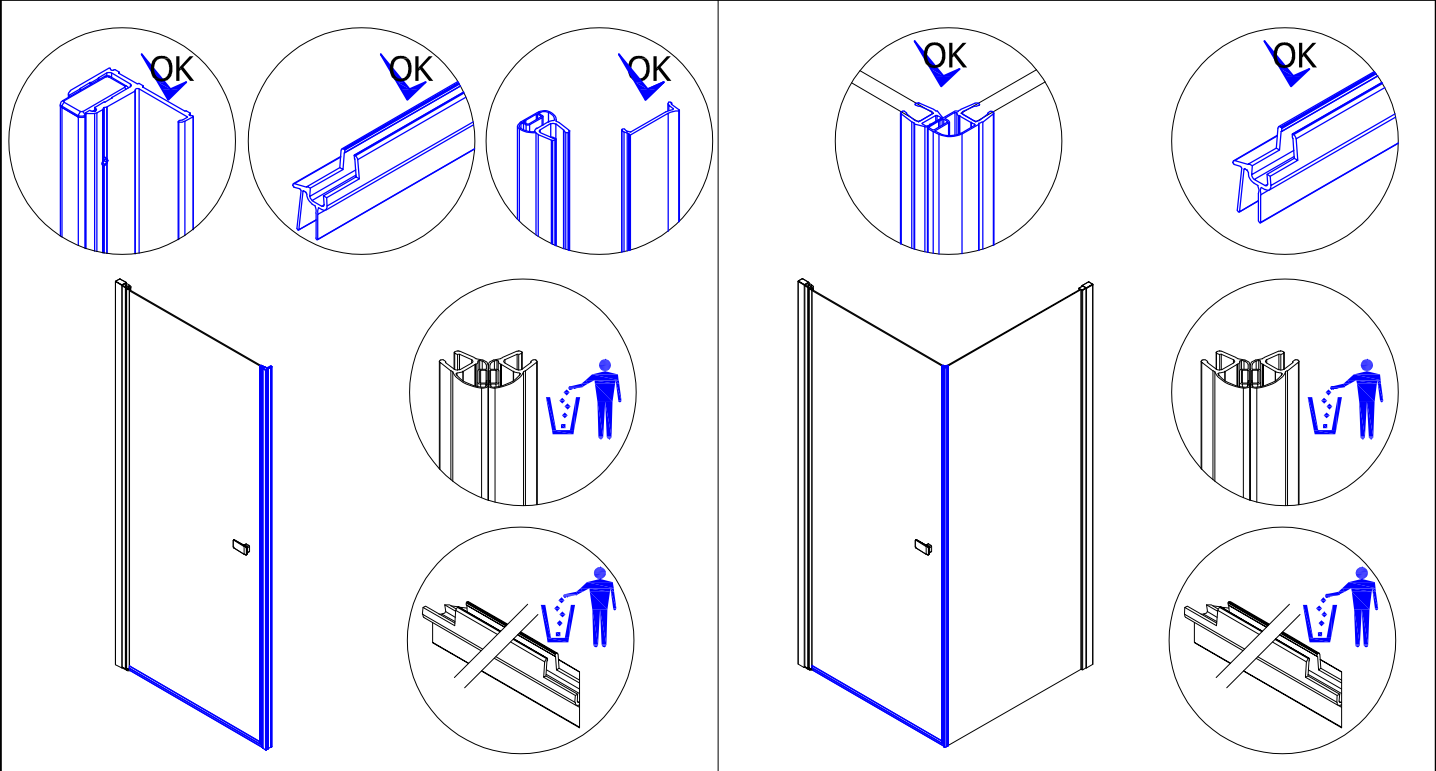
**1.**  
-  
**13.**

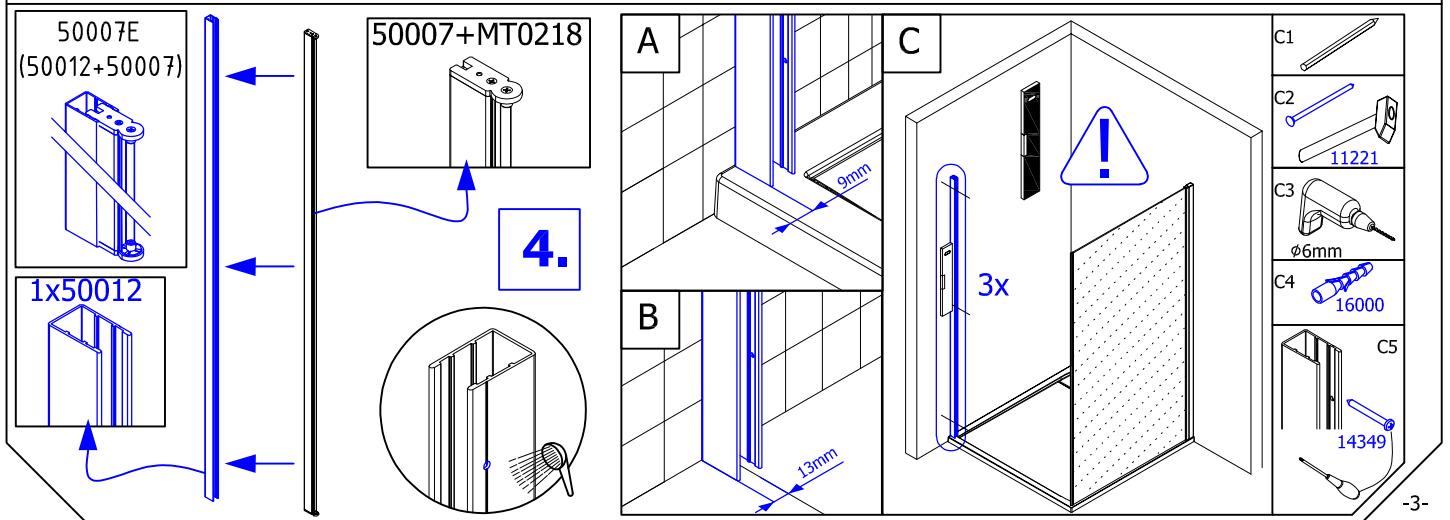
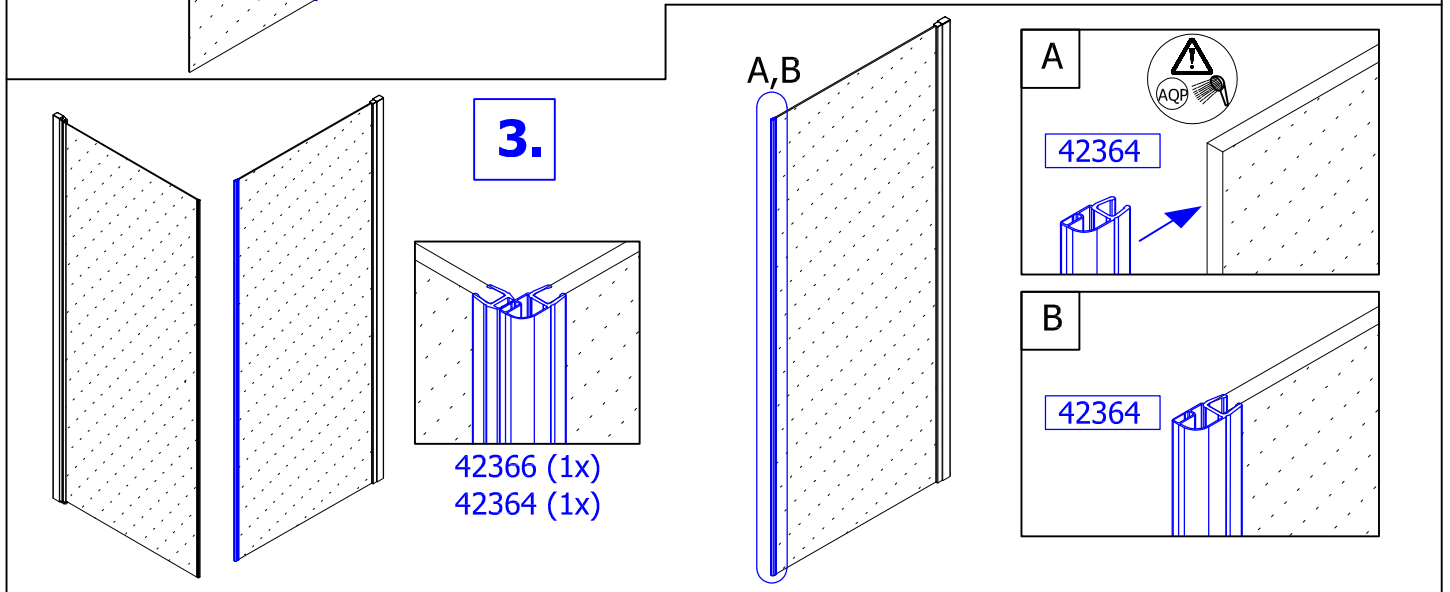
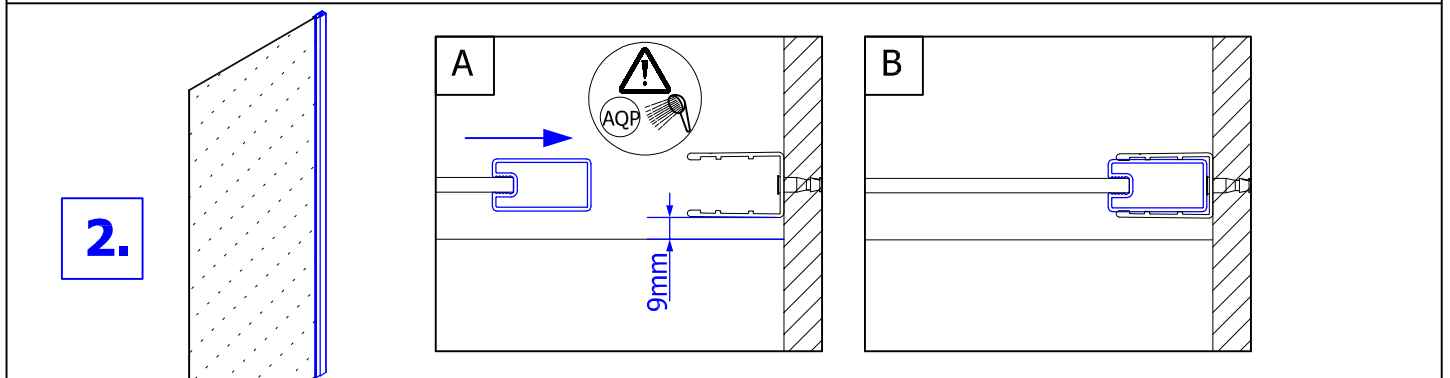
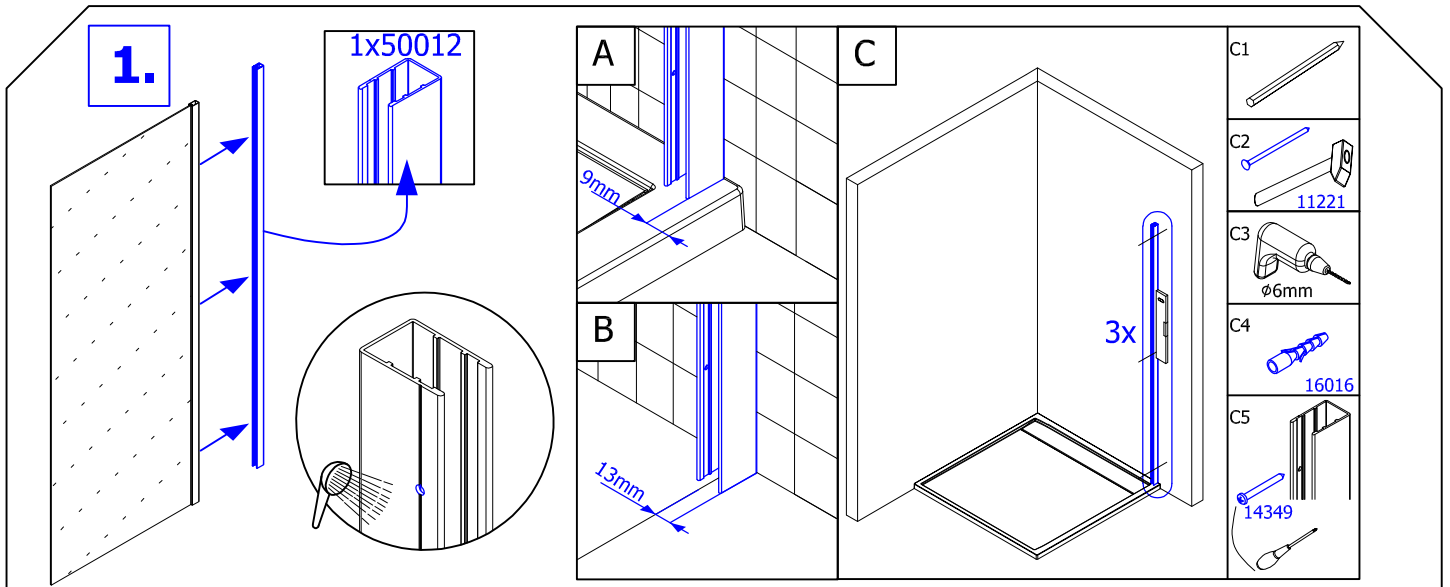


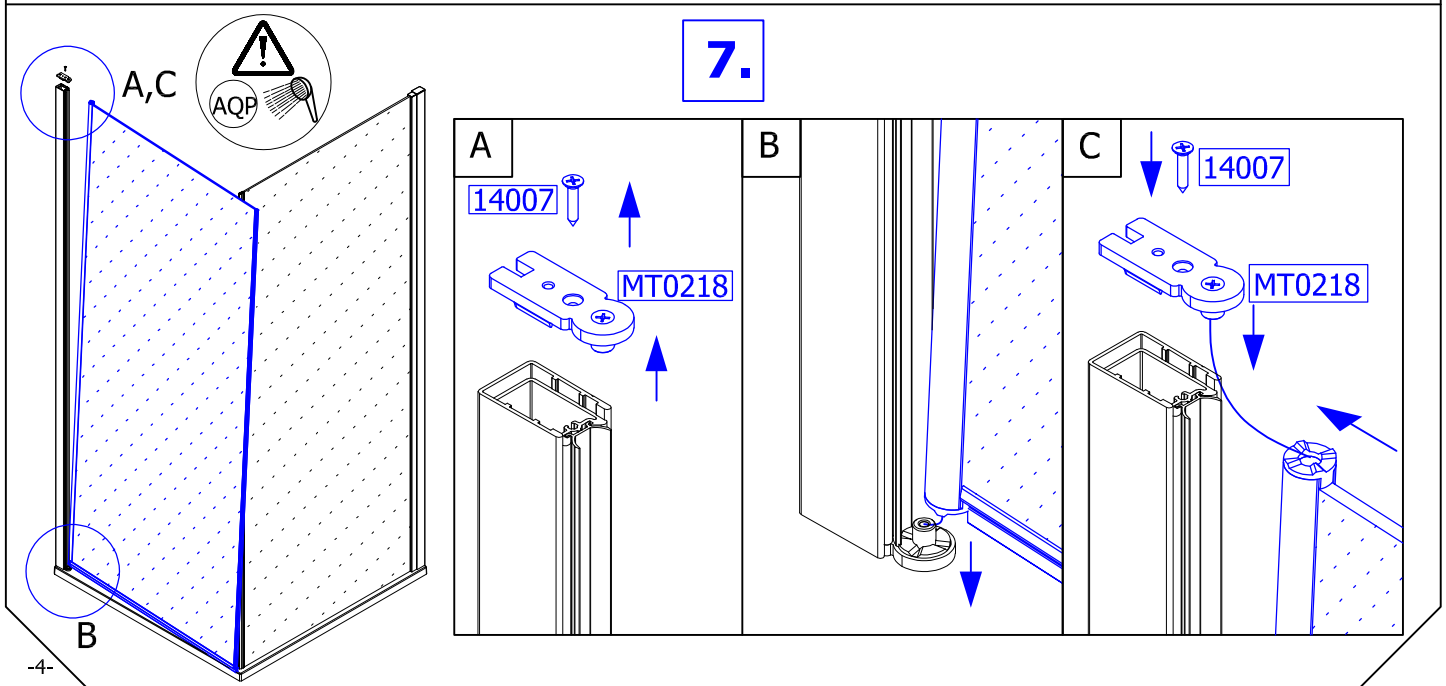
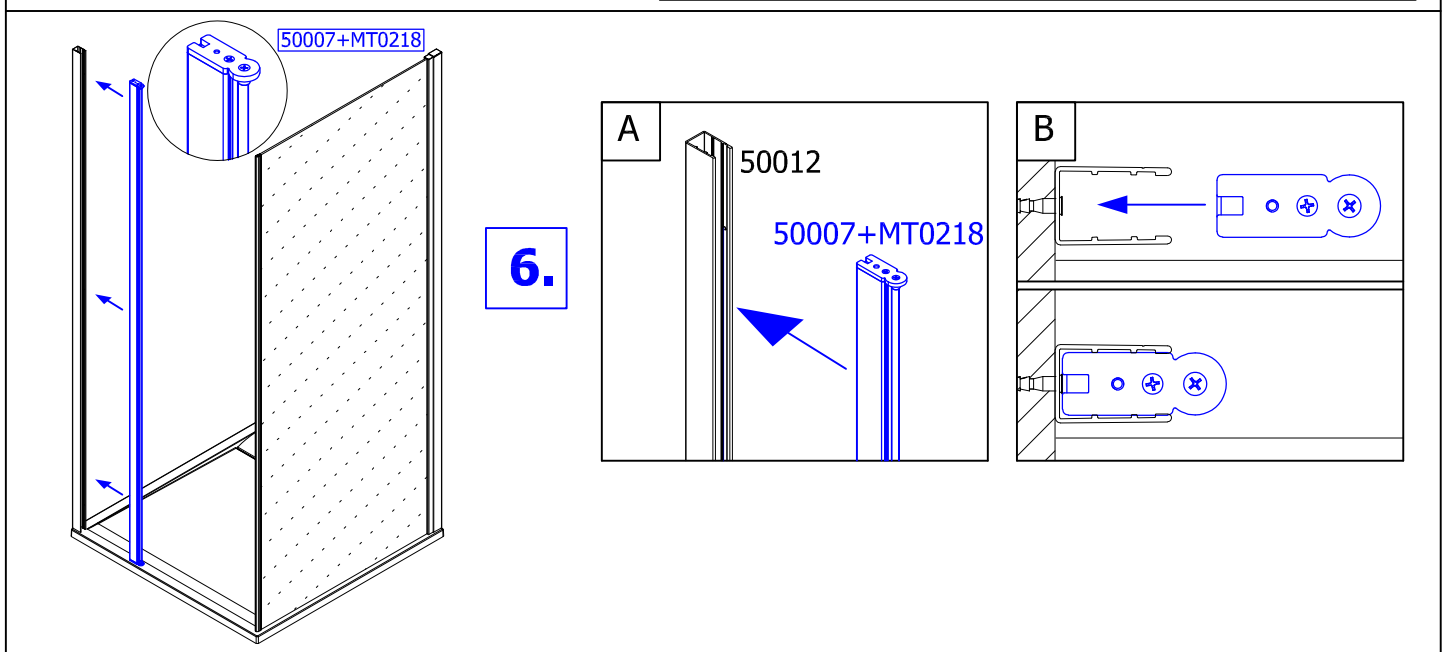
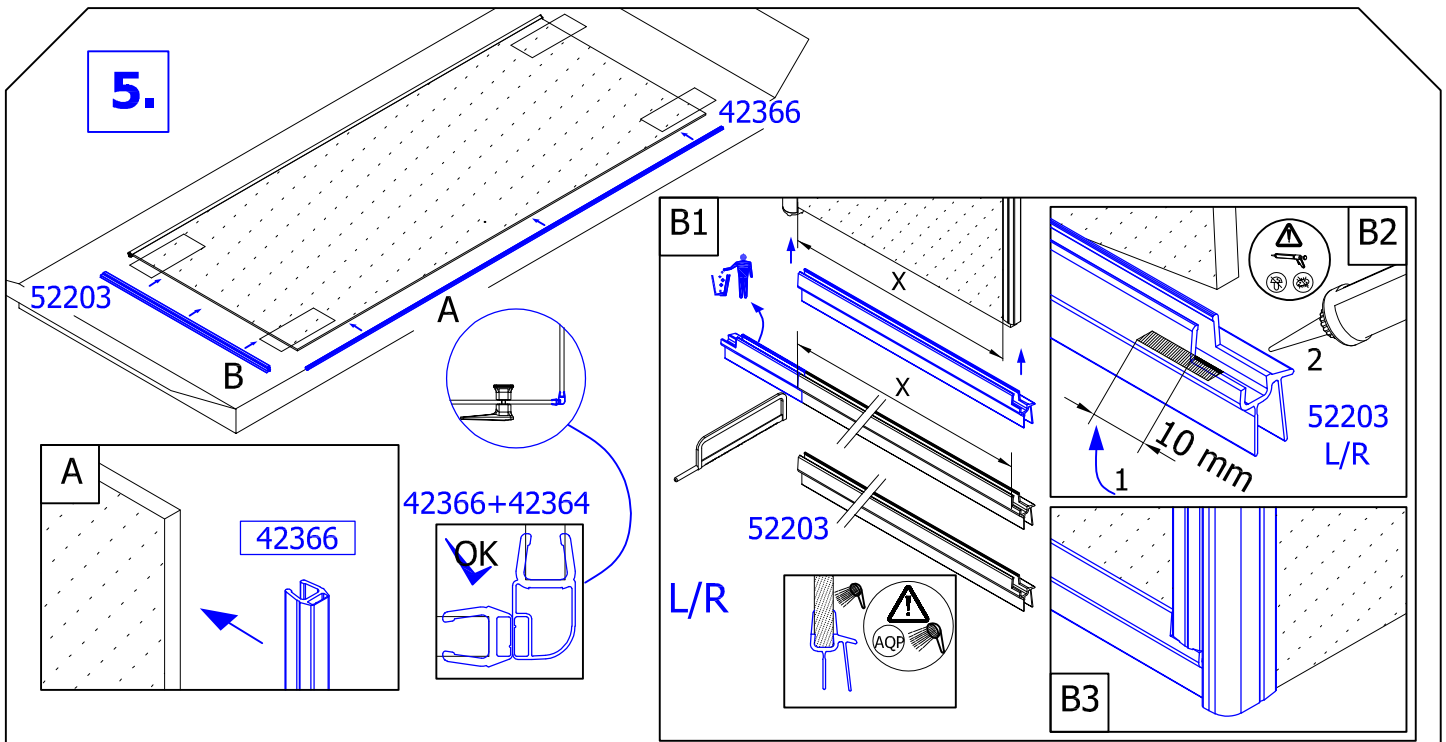
**14.**  
-  
**21.**



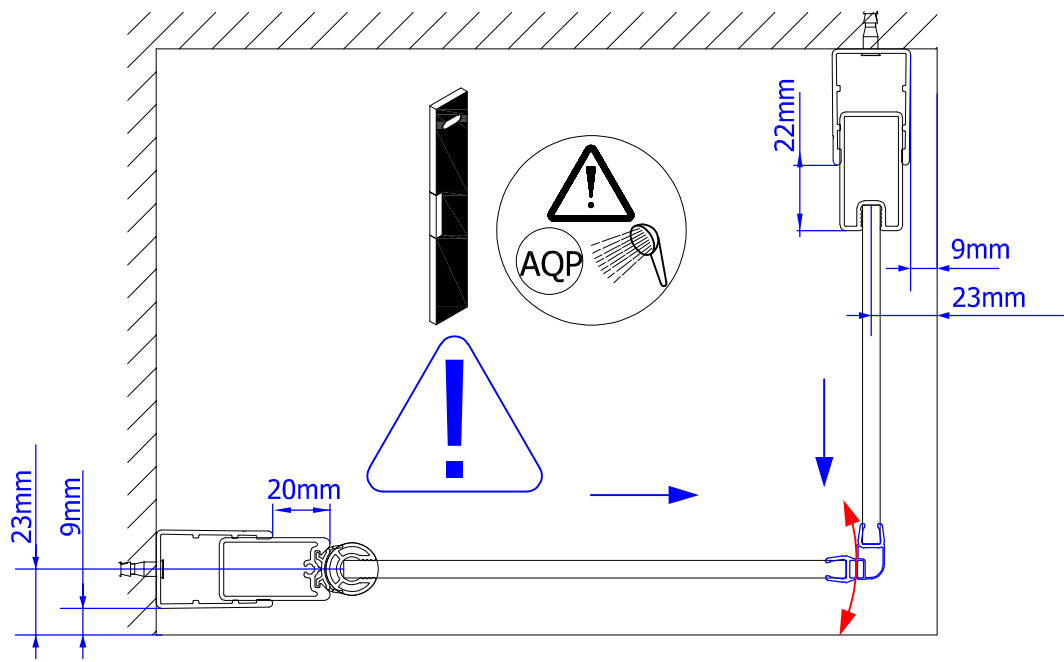
	1 x 11221 3 x 14003 3,5x9,5mm	 1 x 51400	3 x 14349 4,2 x 45mm 3 x 16000 ø 6mm	3x51337 3x51338	1 x 51348 54013	1 x 51272 1 x 51254 1 x 51273 1 x 51253	1 x MT0424
	1 x 51339	1 x 51399	3 x 14349 4,2 x 45mm 3 x 16000 ø 6mm	3 x 14003 3,5x9,5mm	3x51337 3x51338	1 x 51274	1 x 51275
	1 x 14001 4,2 x 38mm	1 x 16000 ø 6mm	1 x 11221	17165-2,5mm 17158-2mm 17159-3mm	1x51416	1x51615	



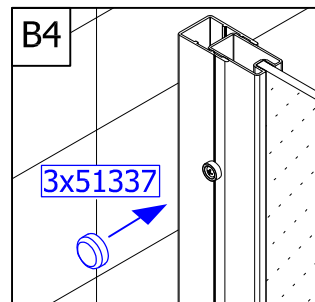
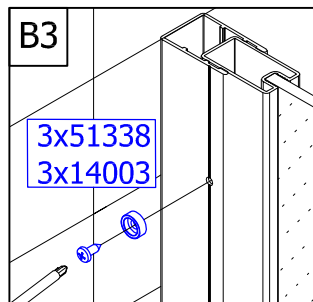
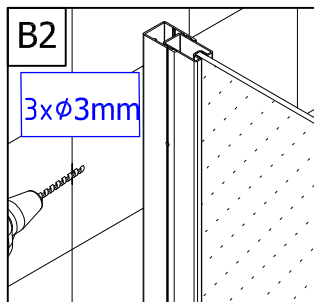
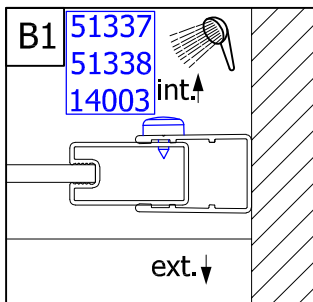
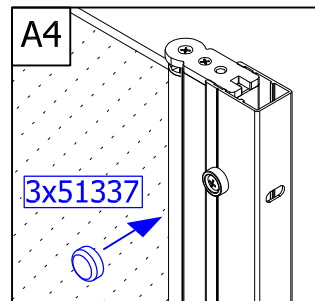
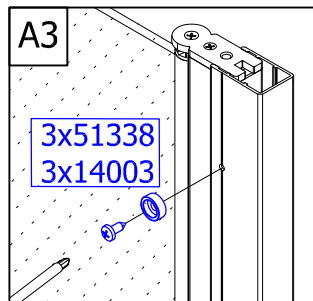
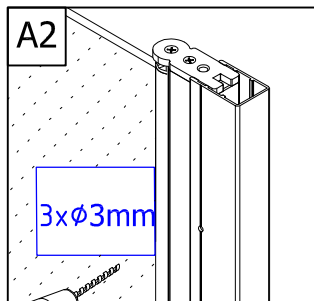
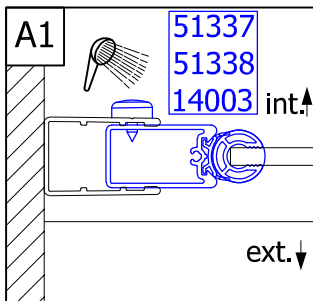
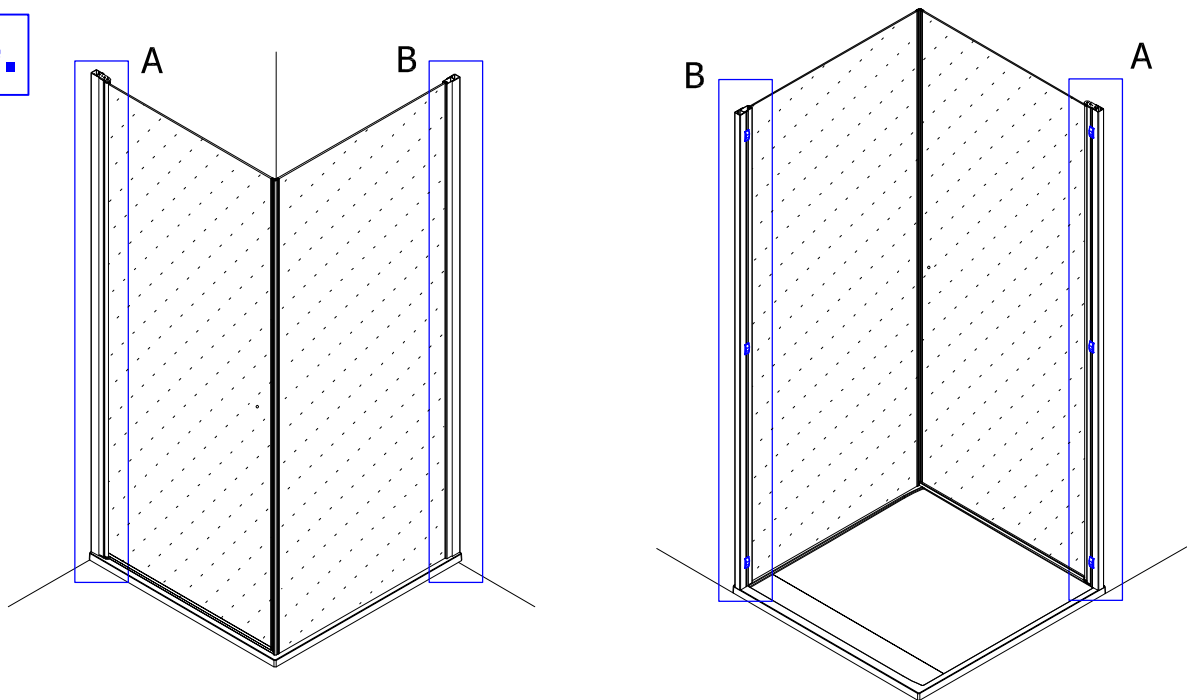


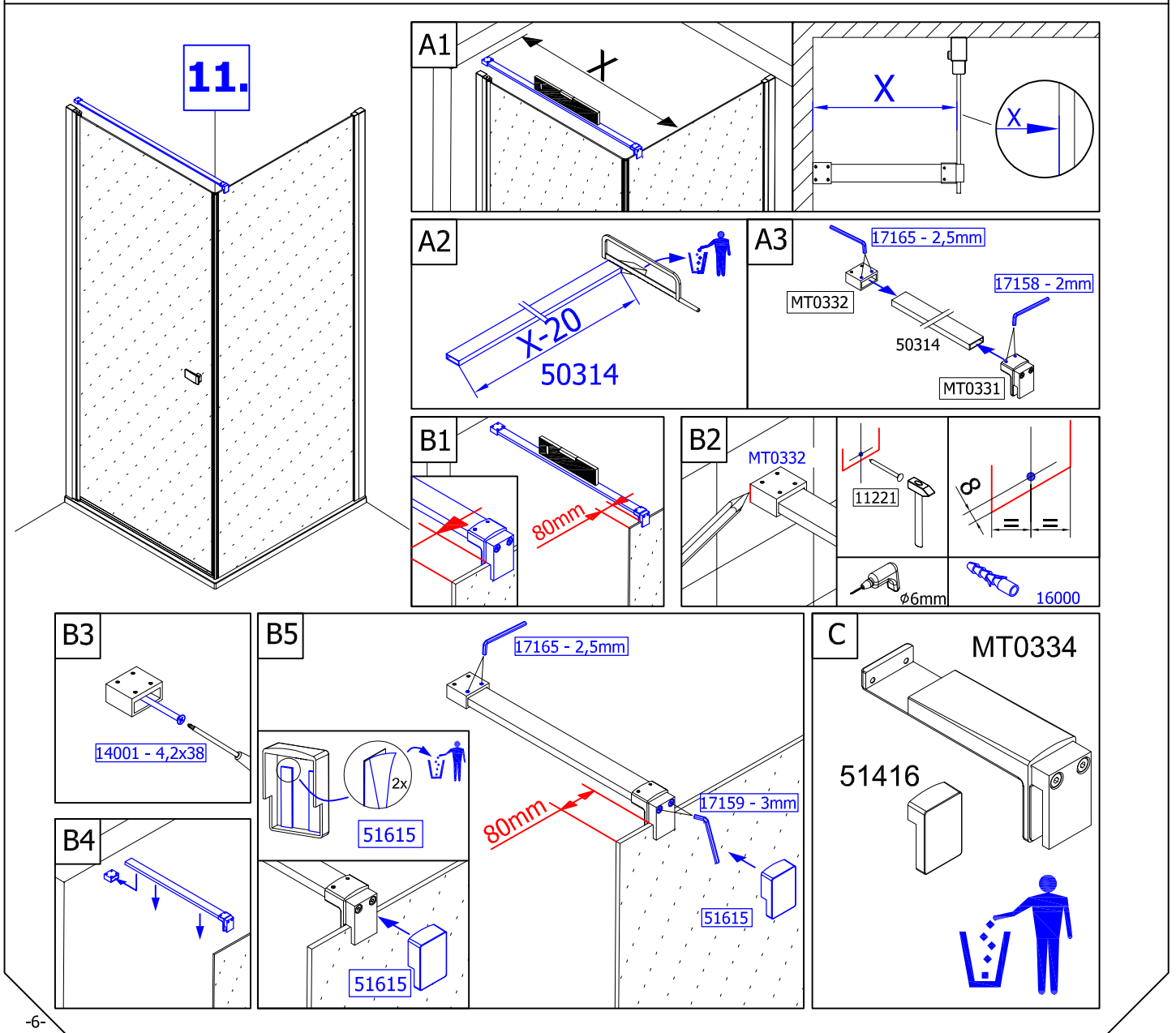
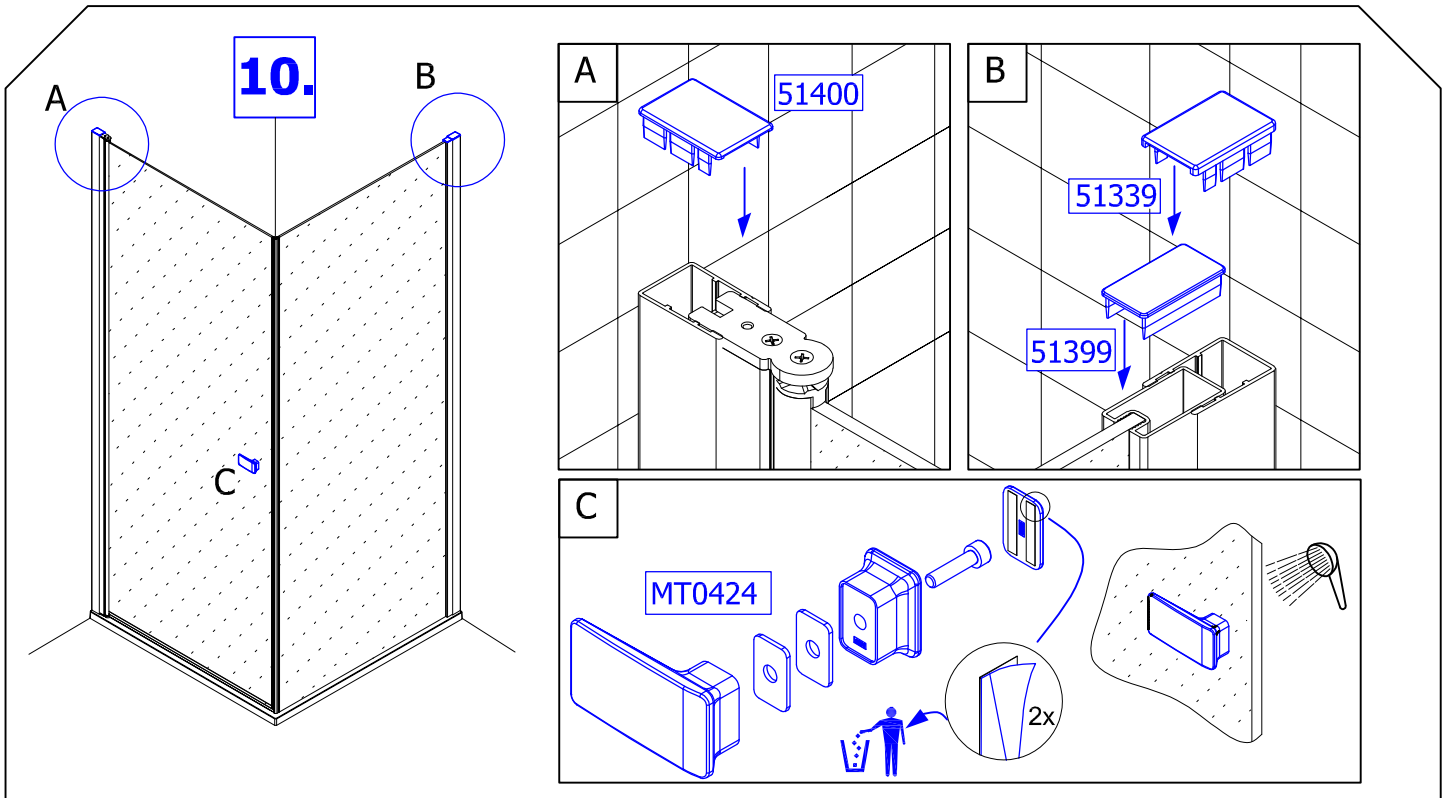


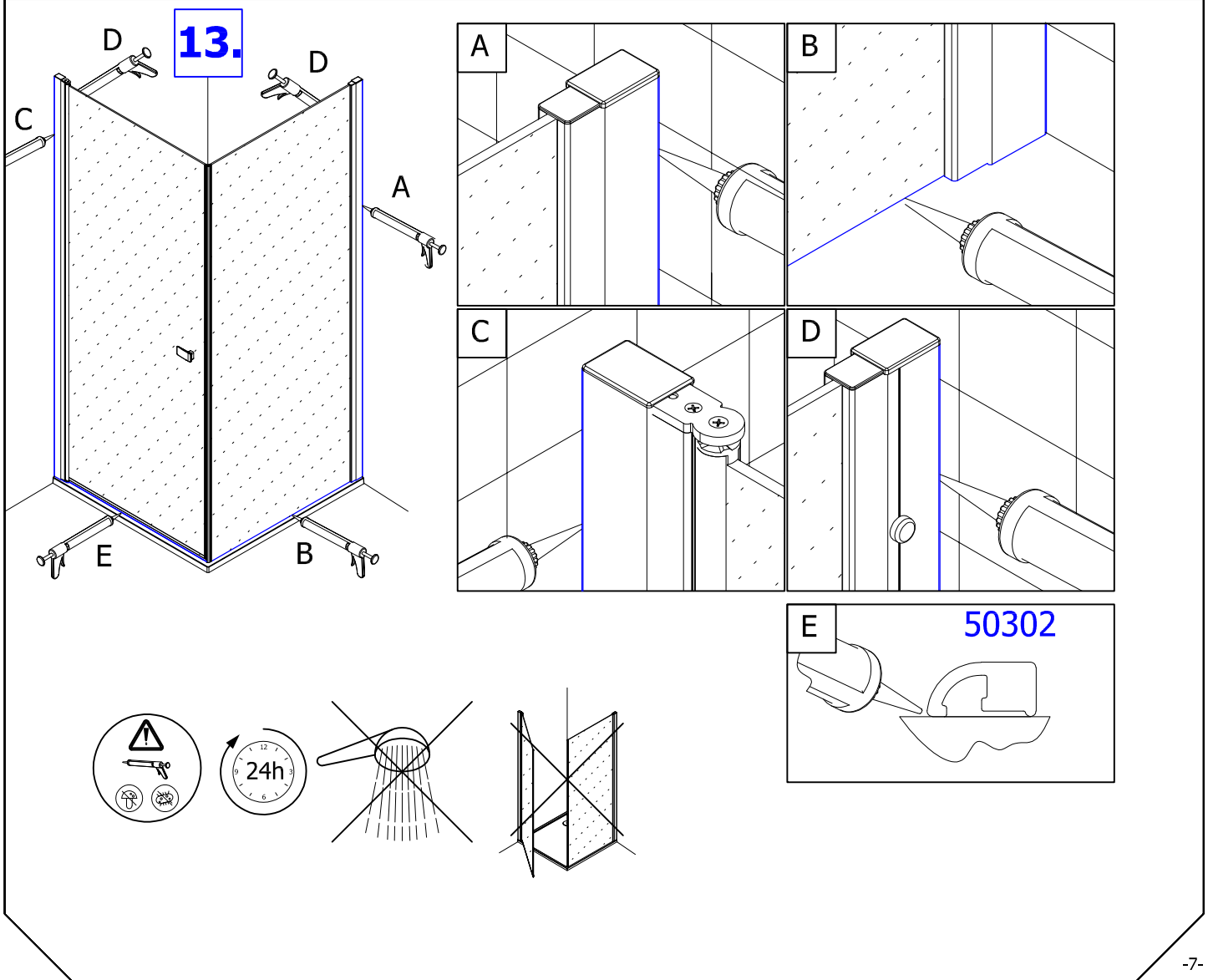
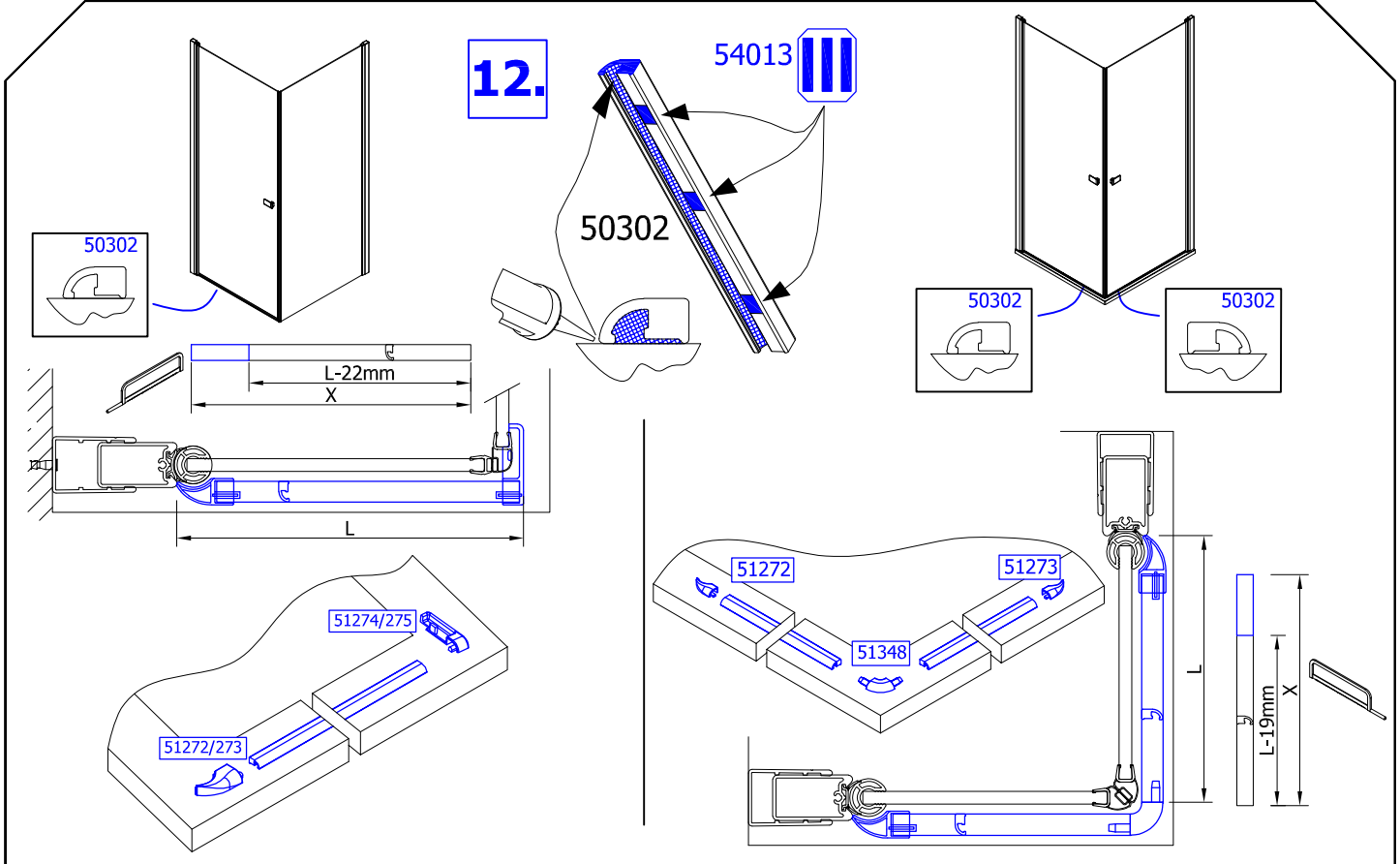
8.

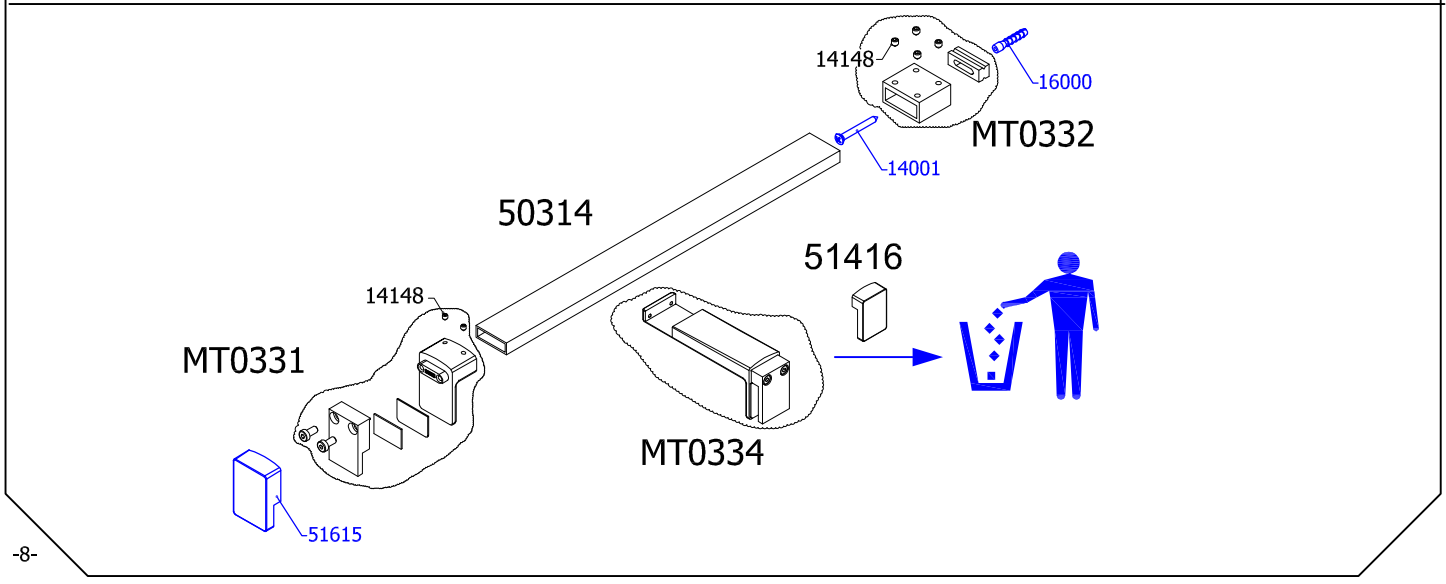
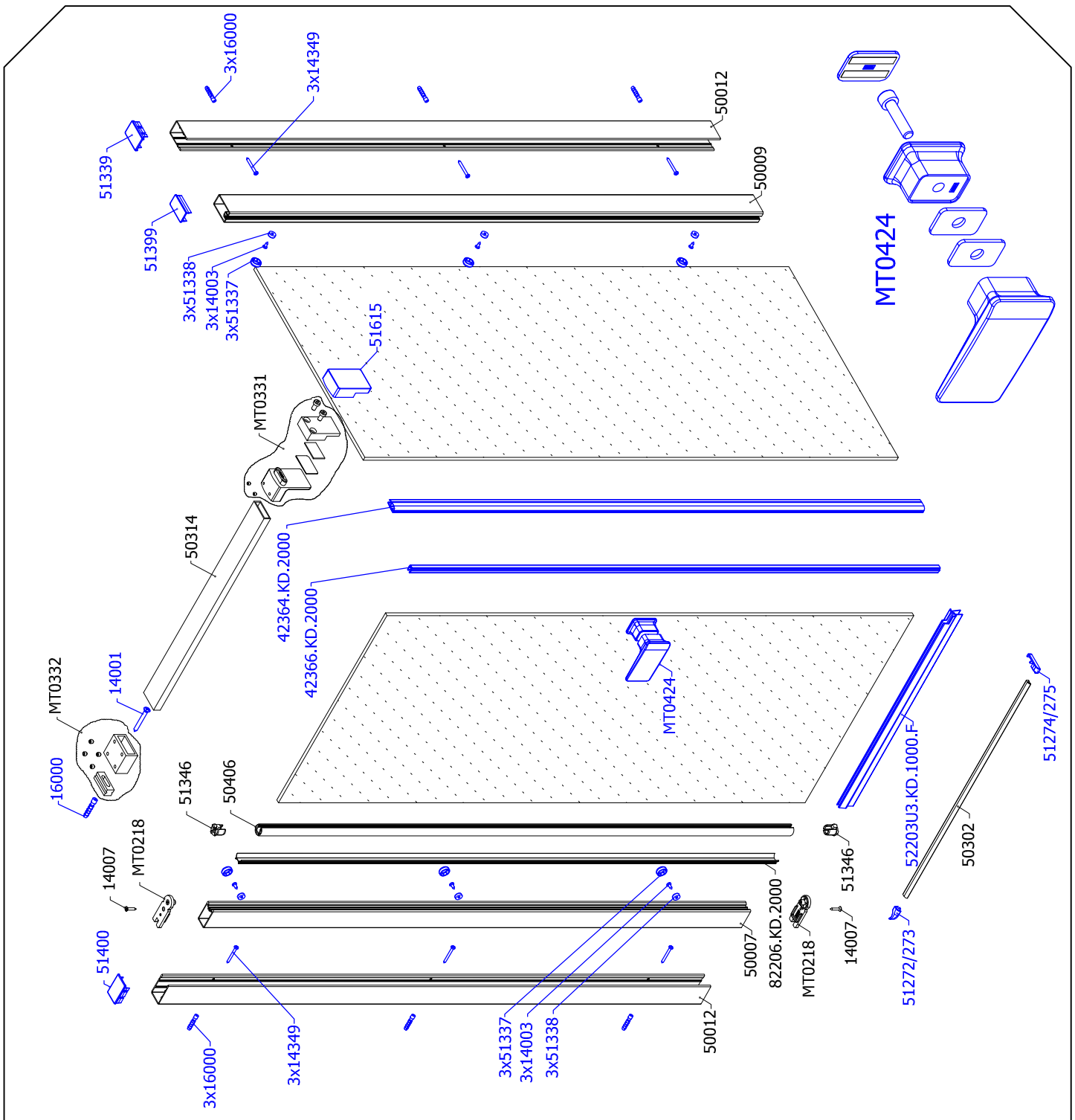


9.

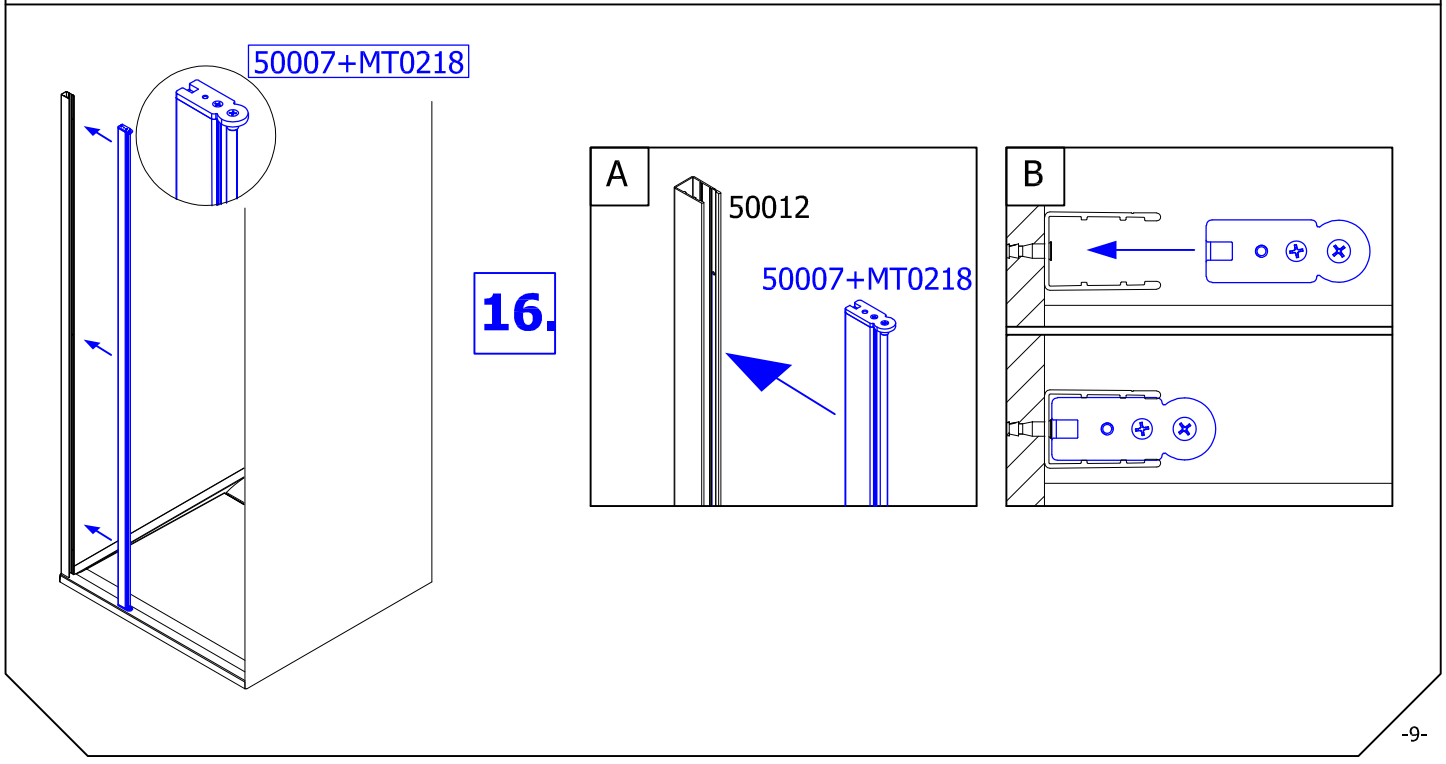
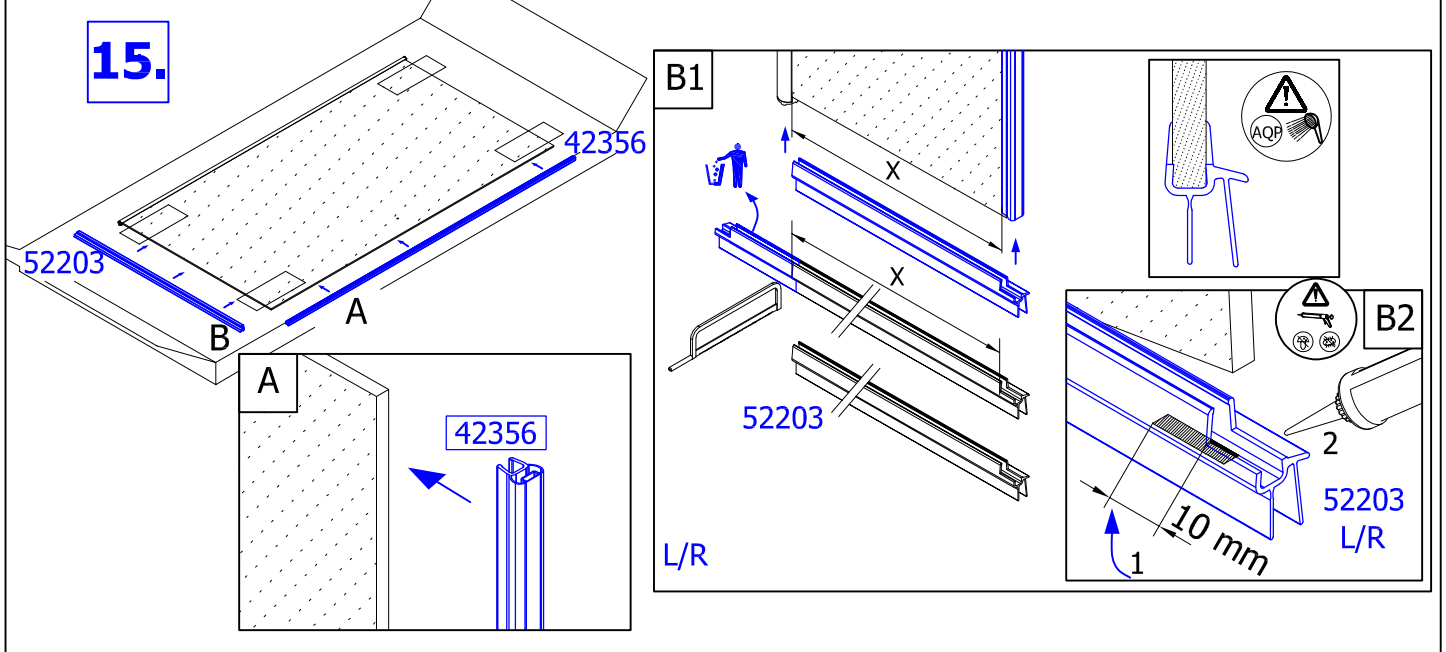
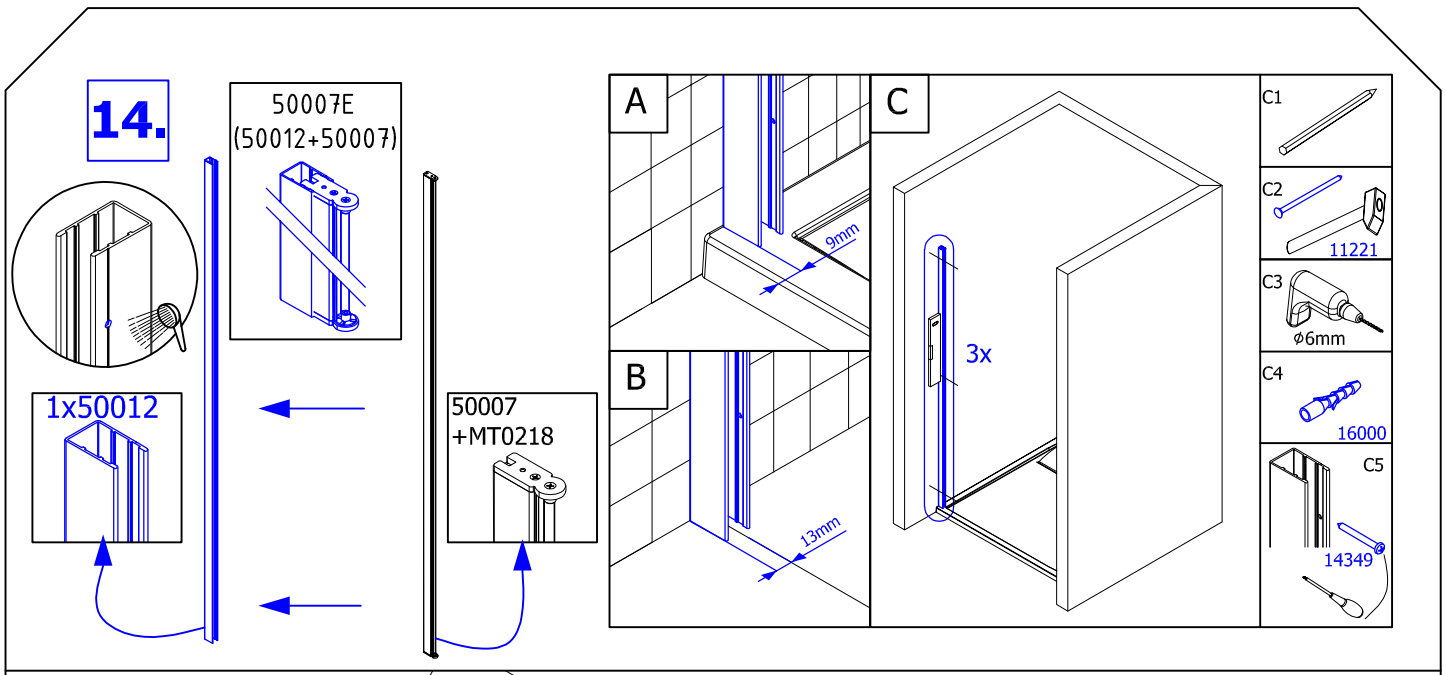


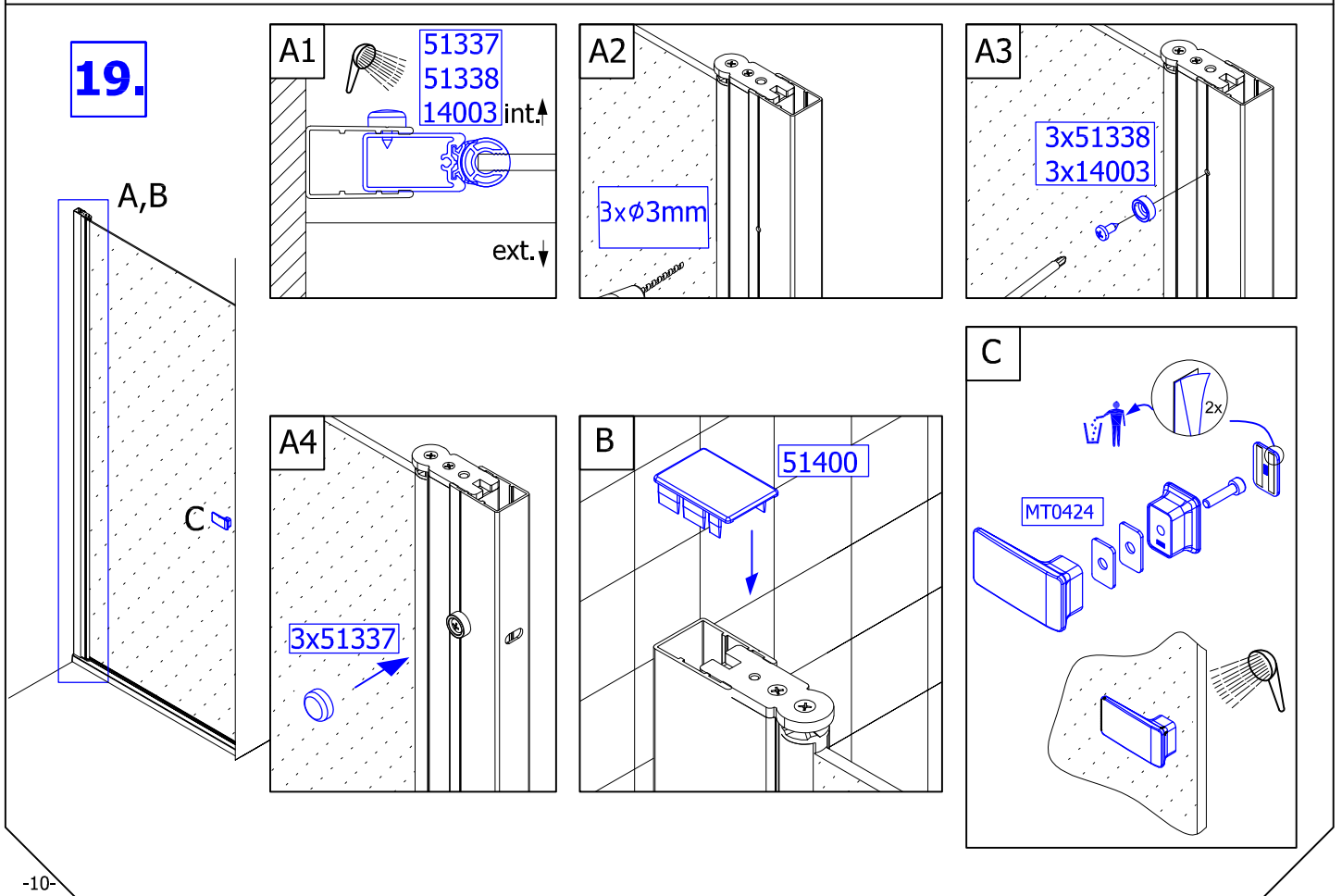
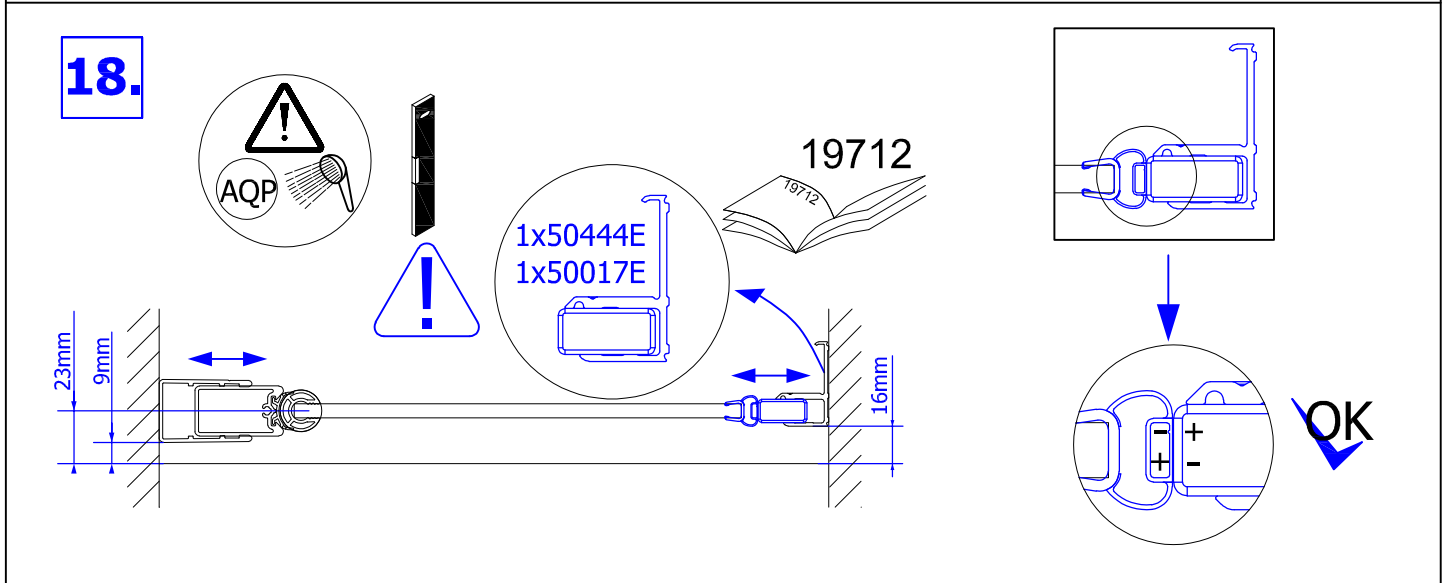
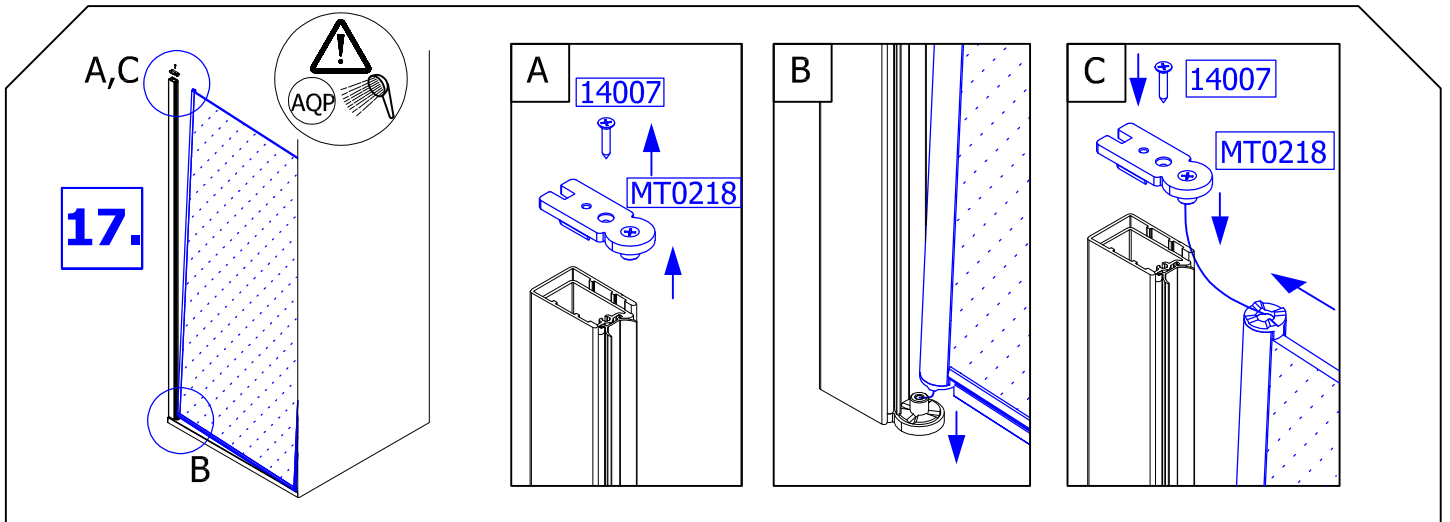




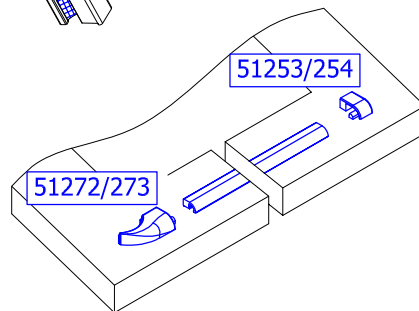
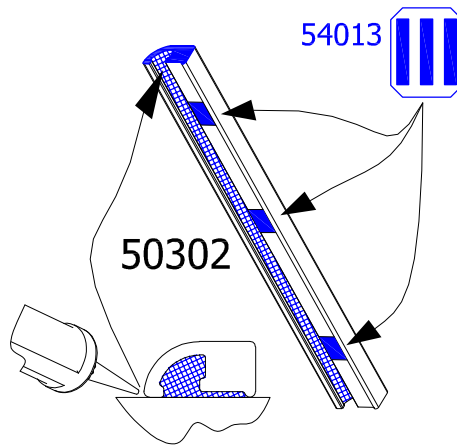
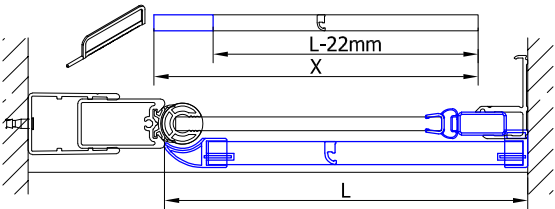
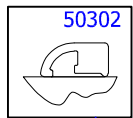




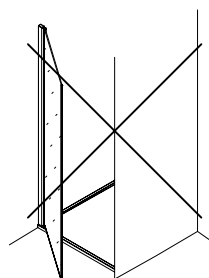
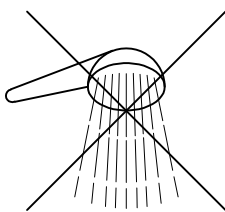
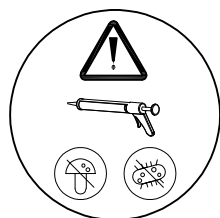
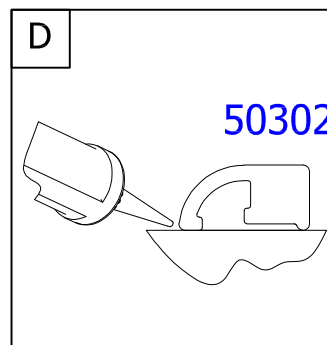
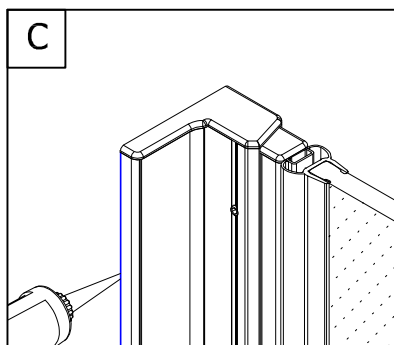
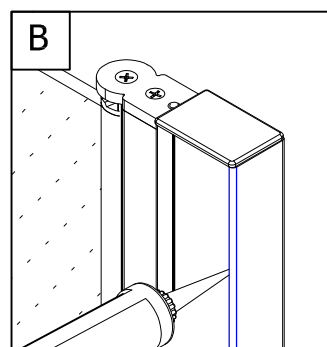
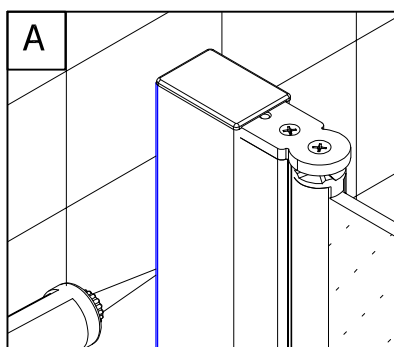
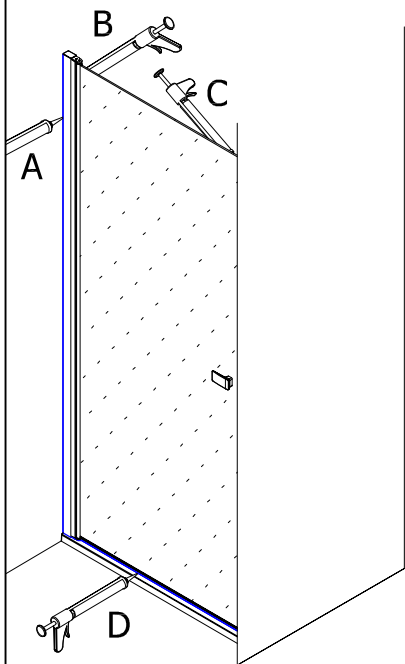




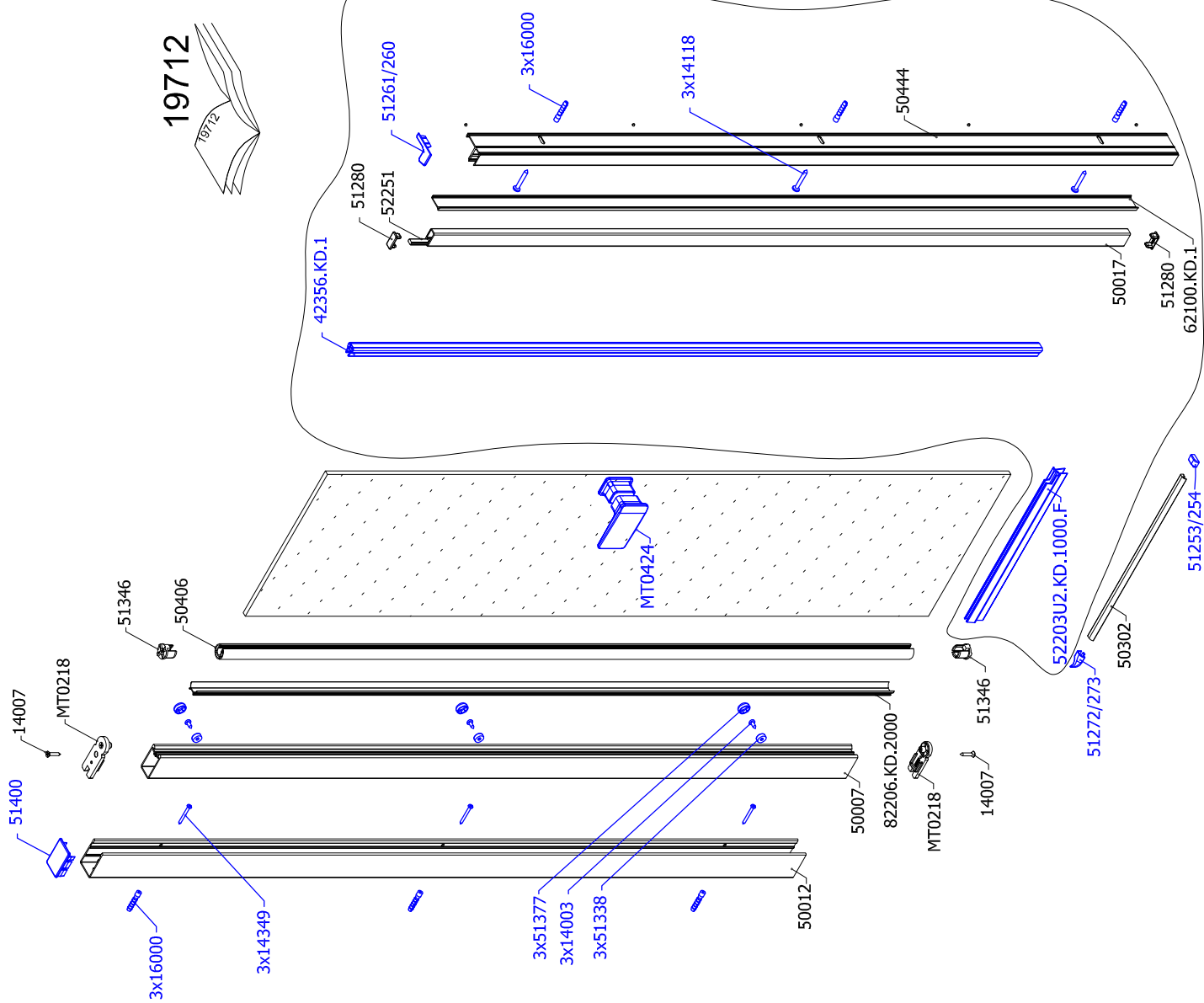
20.



21.



19712



<p>50444E+50017E</p>	<p>62100.KD.1</p>	<p>52203U2.KD.1000.F</p>	<p>42356.KD.1</p>
----------------------	-------------------	--------------------------	-------------------

19712

