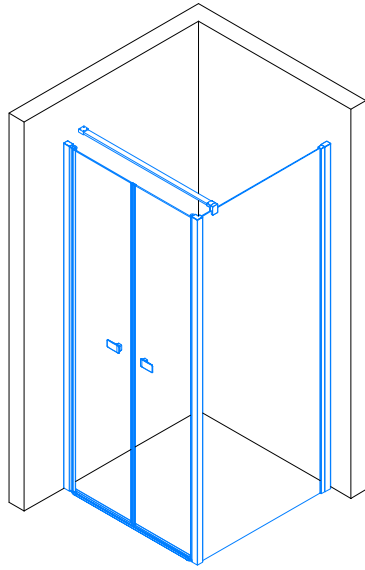


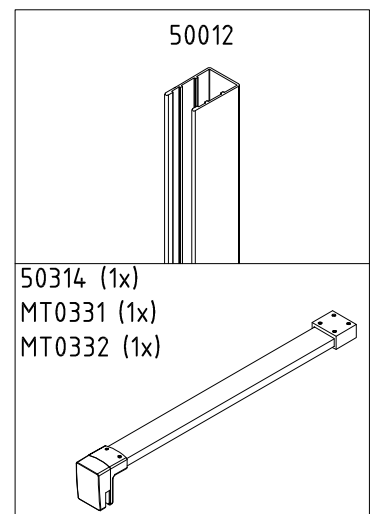
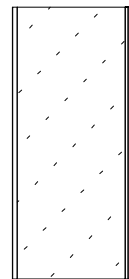
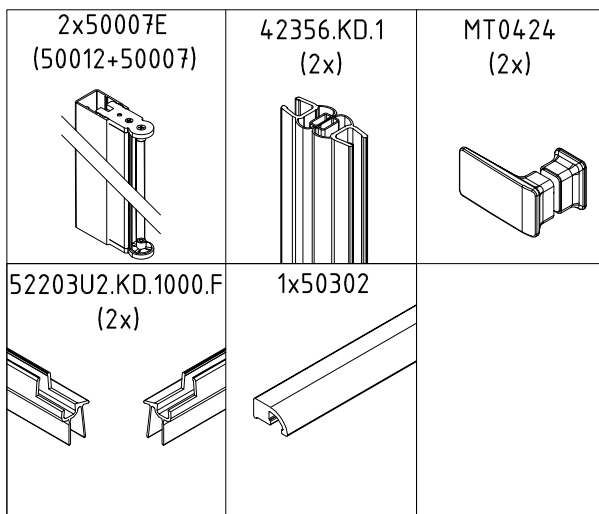
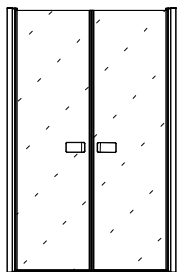
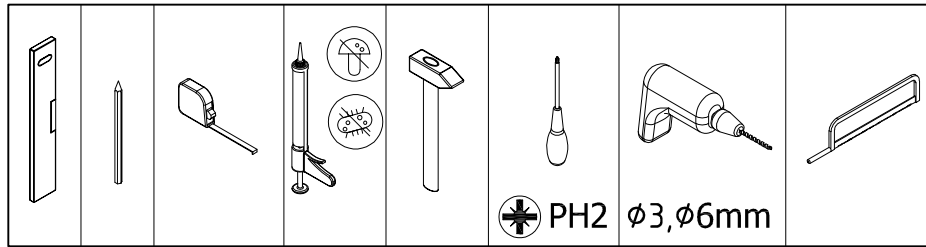
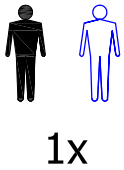
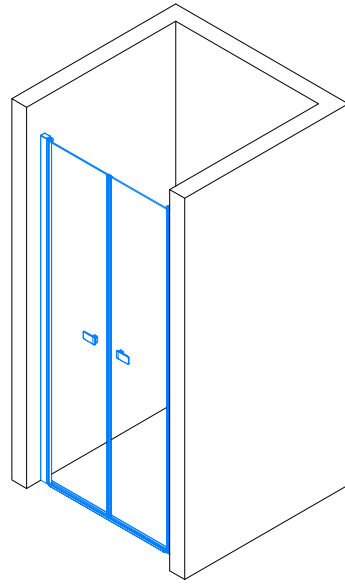
19702

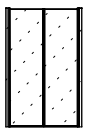

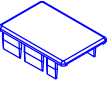
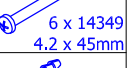
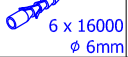






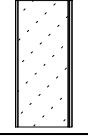

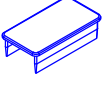




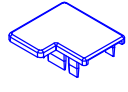
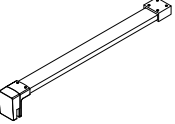

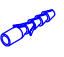
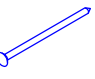




1.
-
11.

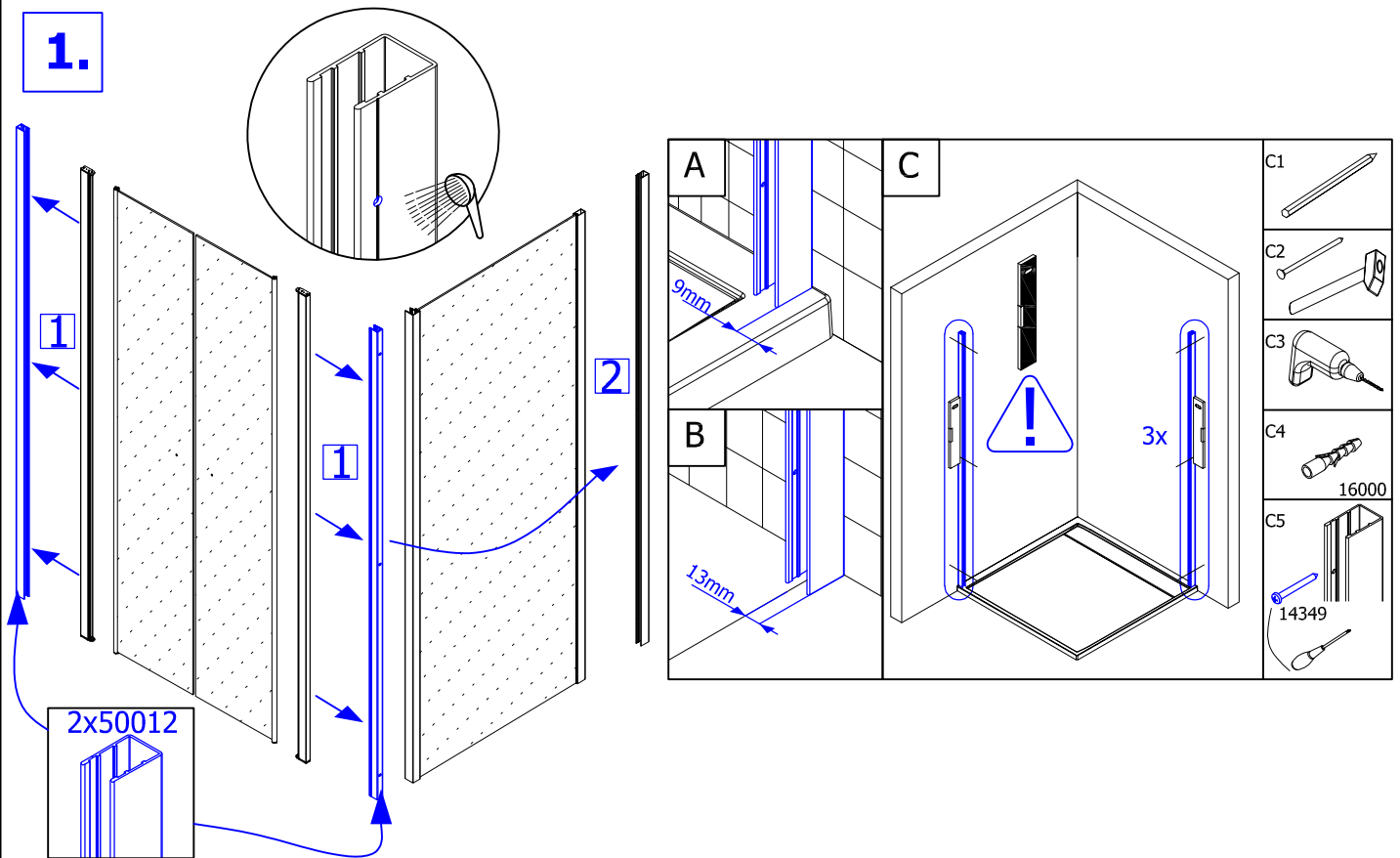


12.
-
20.

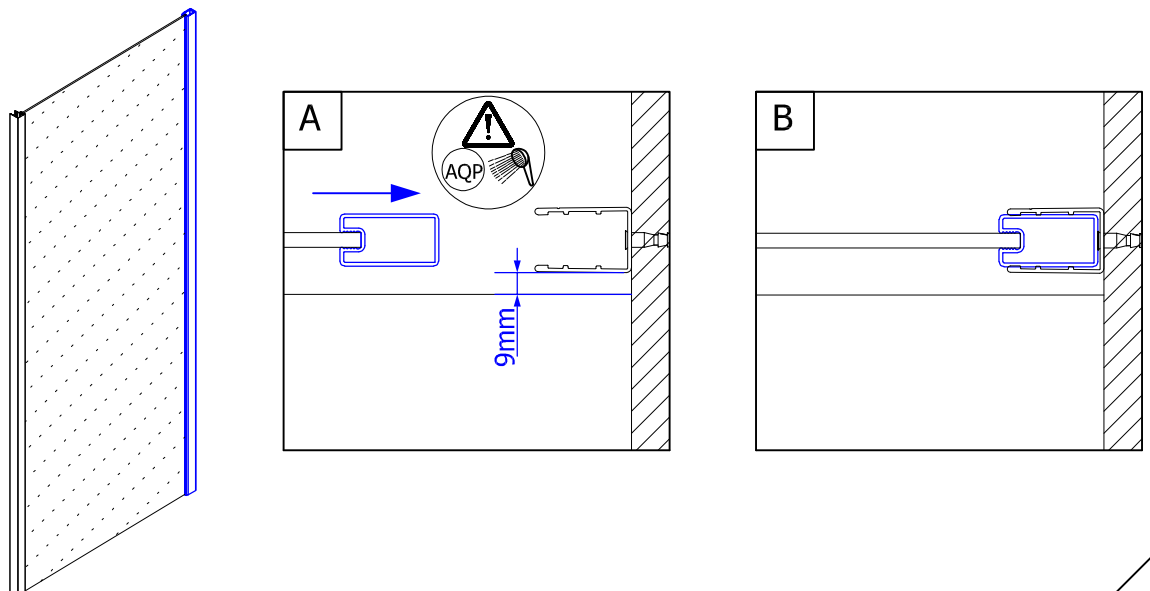


	 1 x 11221	 2 x 51400	 6 x 14349 4,2 x 45mm  6 x 16000 ø 6mm	 6 x 14003 3,5x9,5mm	 6x51337  6x51338	 1 x 51272  1 x 51273	 54013
	 1 x 51339	 1 x 51399	 3x51337	 3x51338	 3 x 14003 3,5x9,5mm	 1x51439	 1x51440
	 1 x 14001 4,2 x 38mm	 1 x 16000 ø 6mm	 1 x 11221	 17165-2,5mm 17158-2mm 17159-3mm	 1x51615		

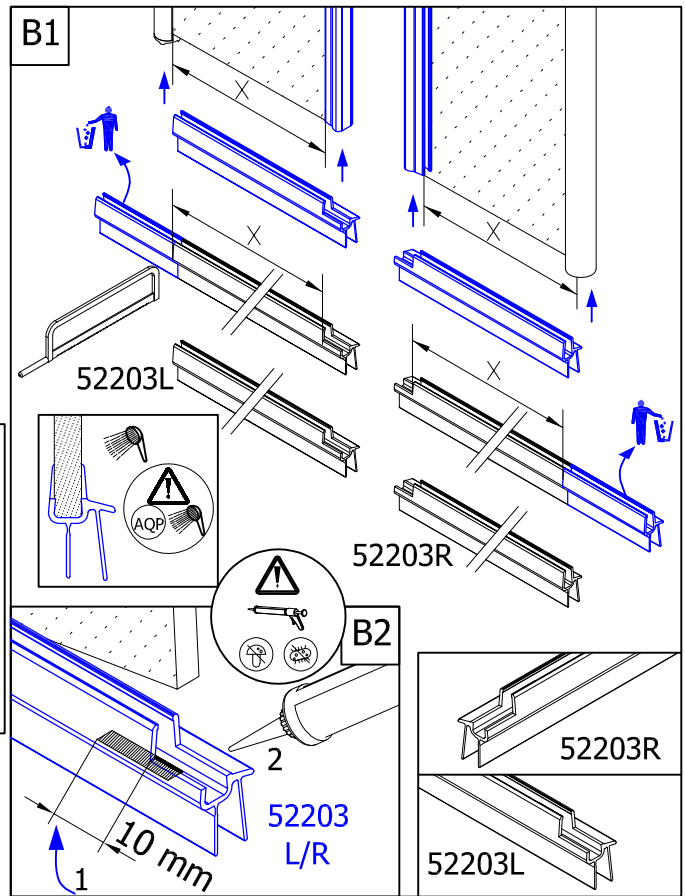
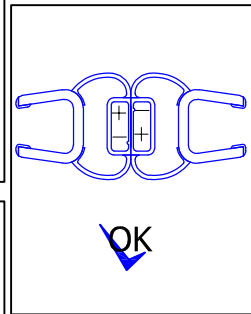
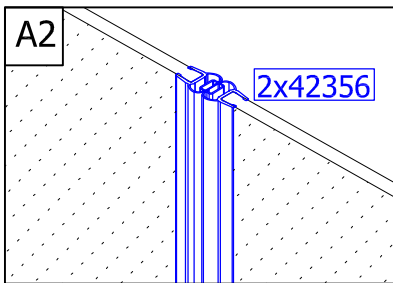
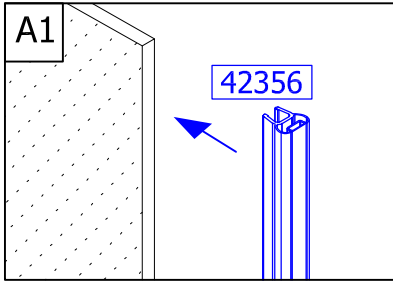
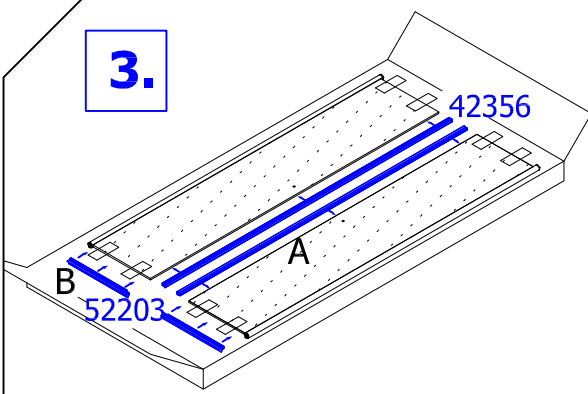
1.



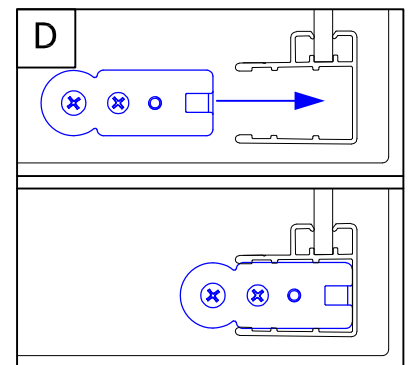
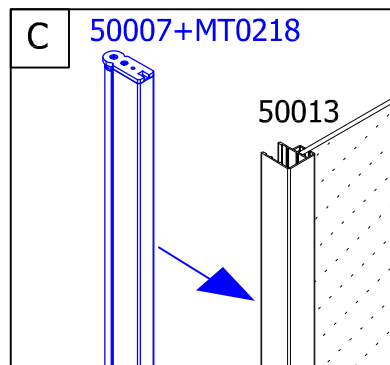
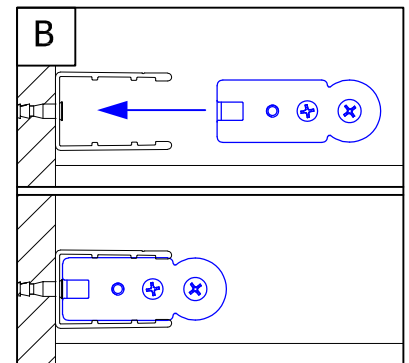
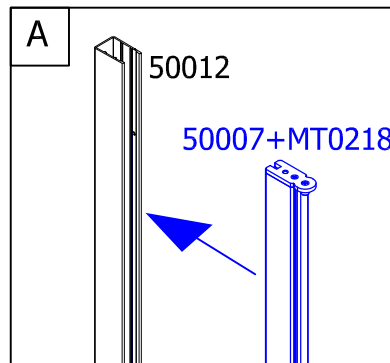
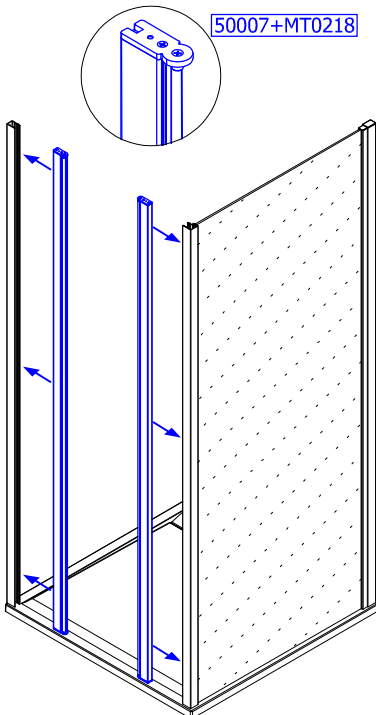
2.



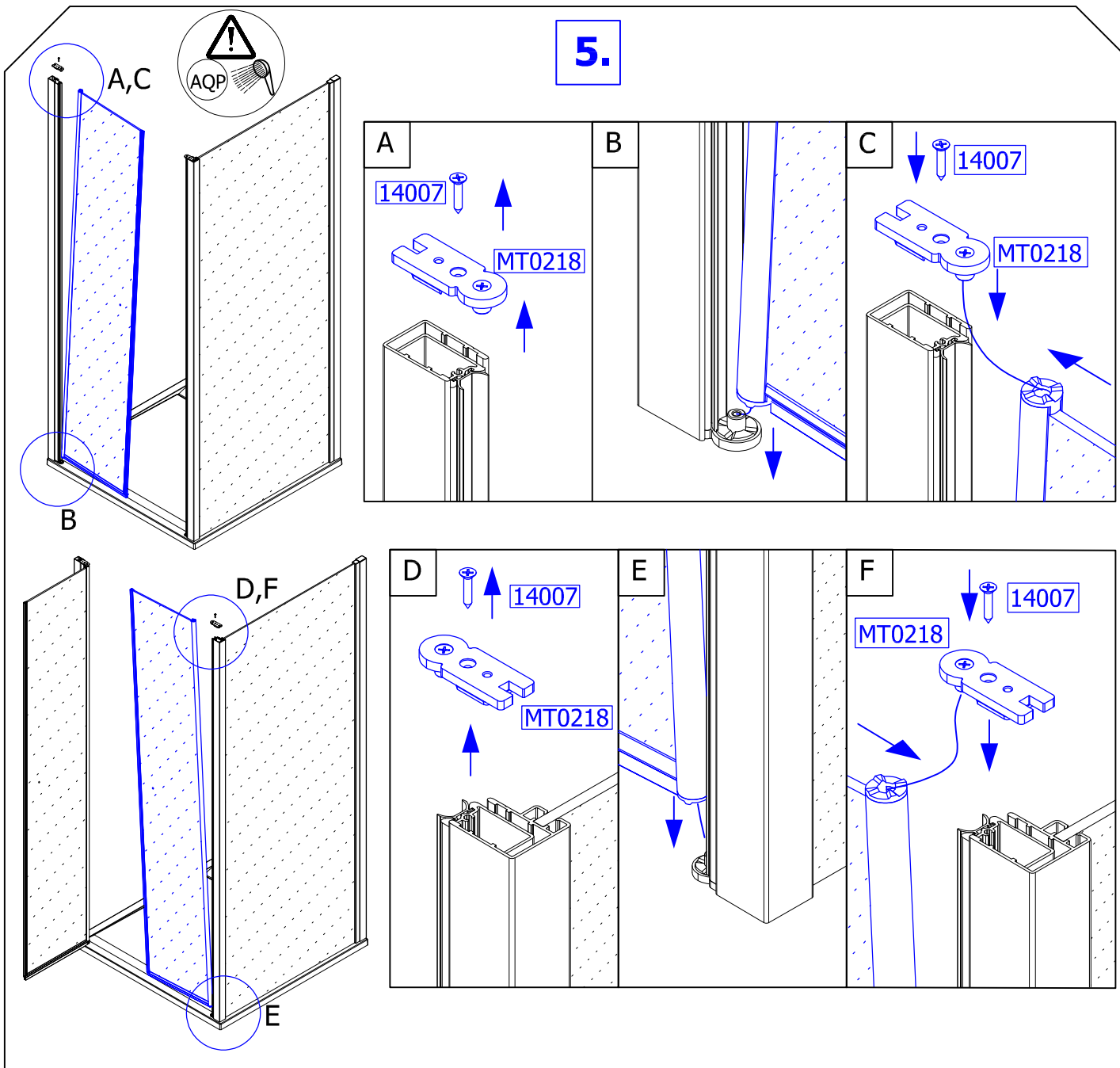
3.



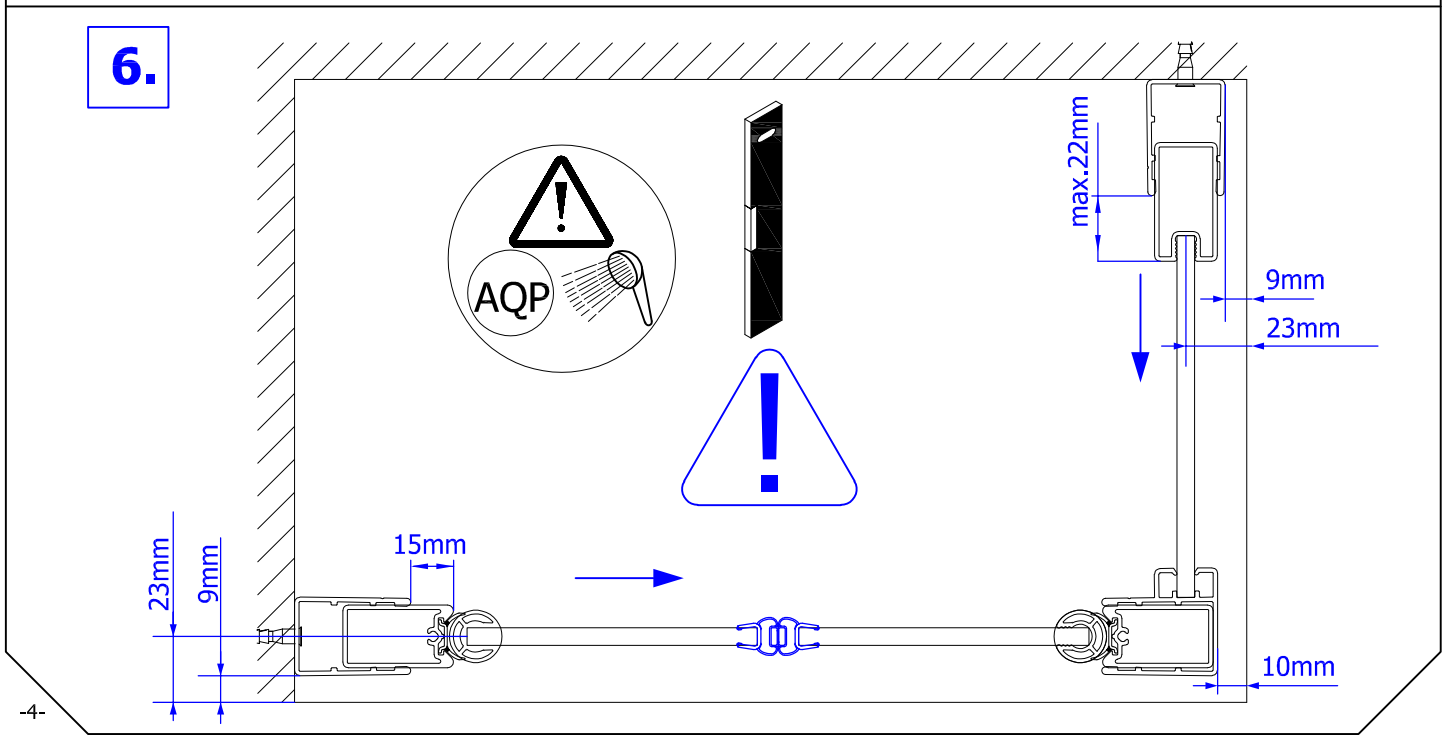
4.

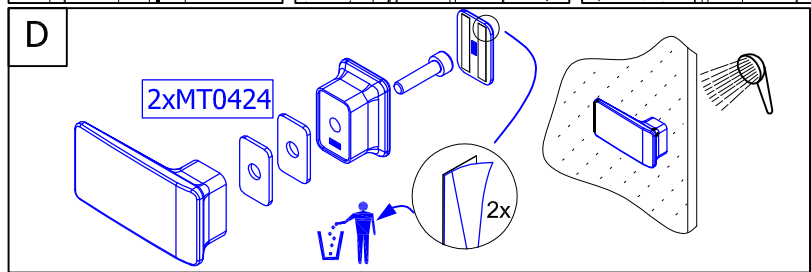
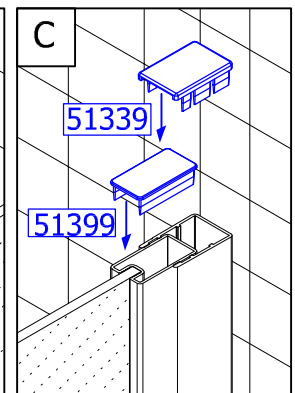
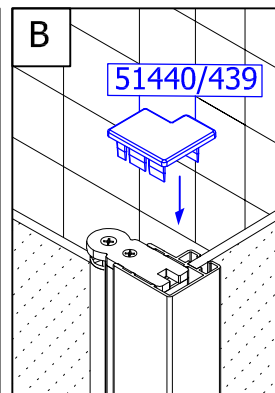
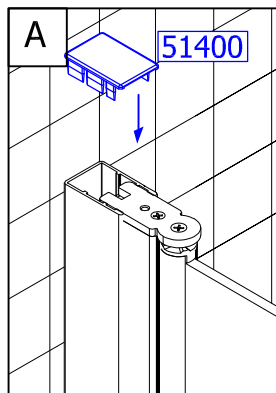
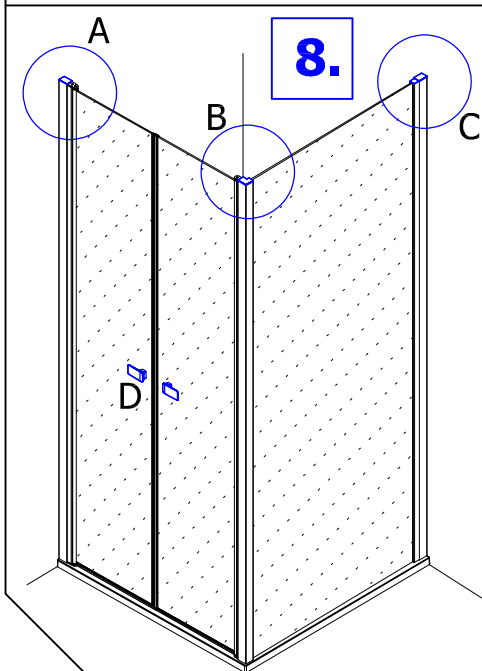
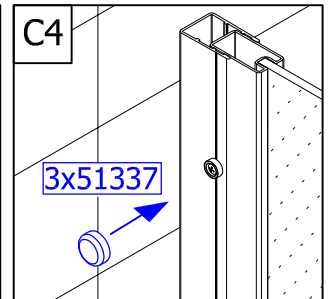
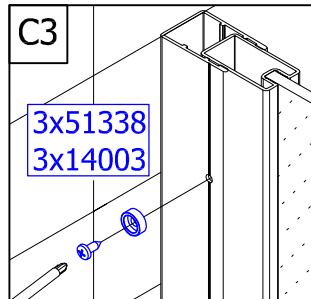
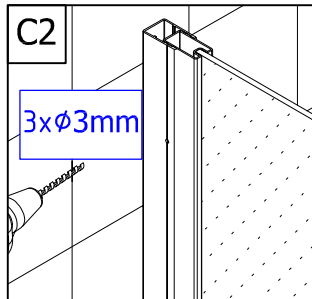
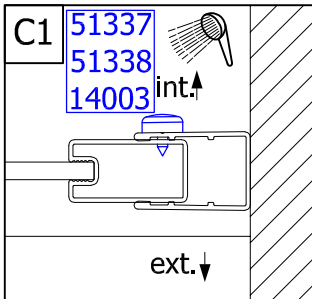
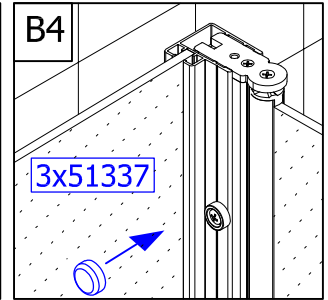
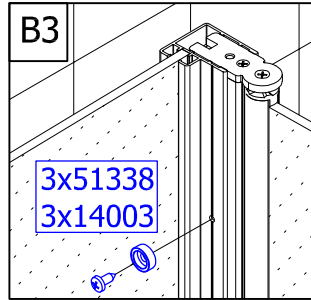
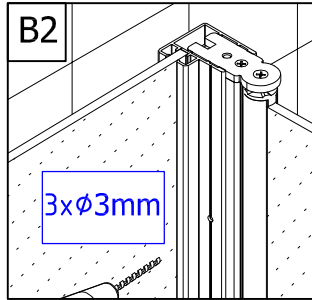
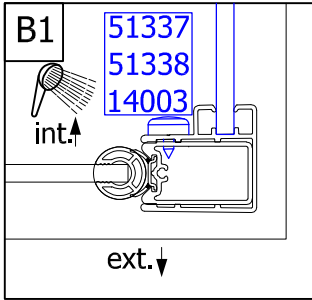
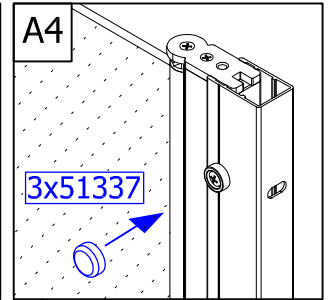
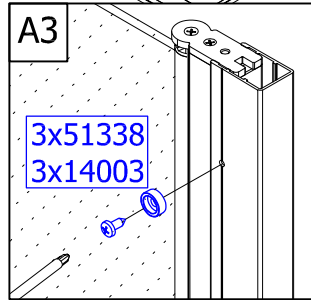
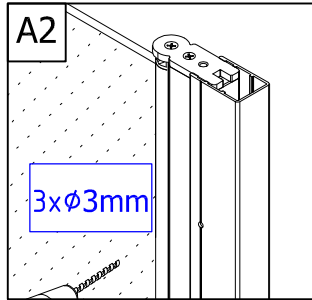
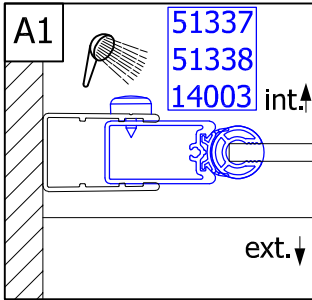
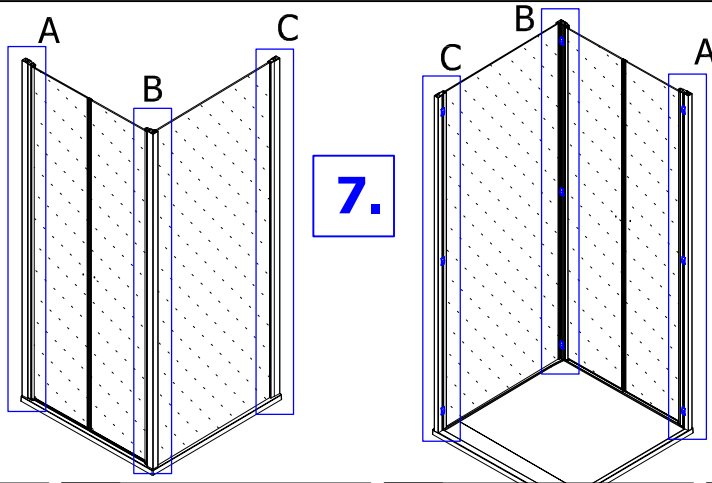


5.

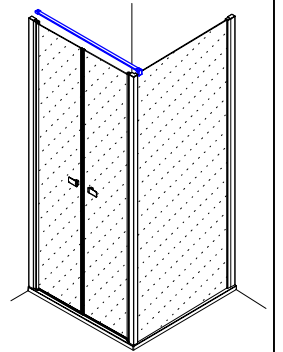
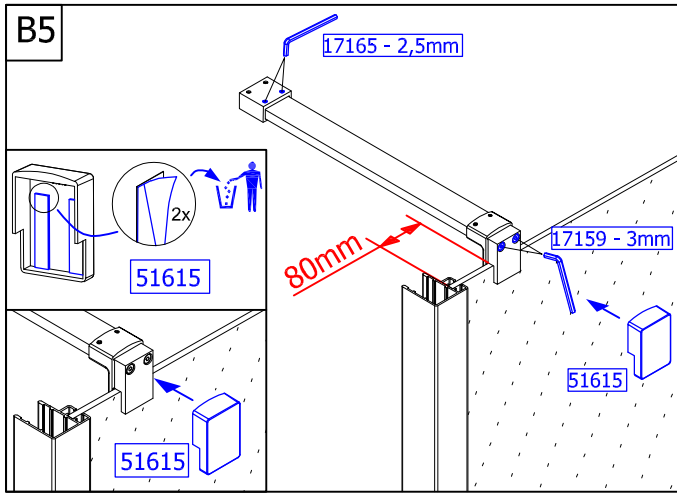
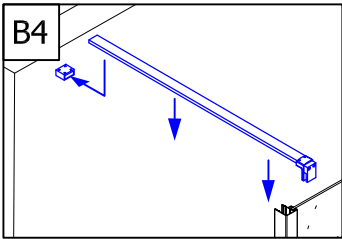
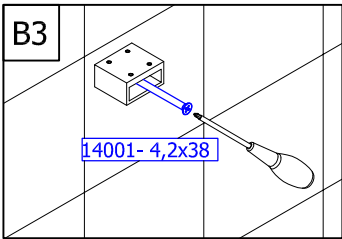
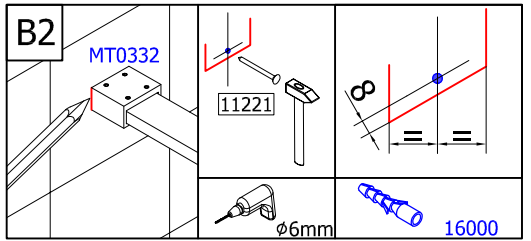
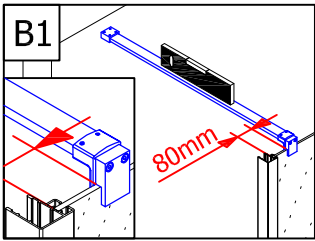
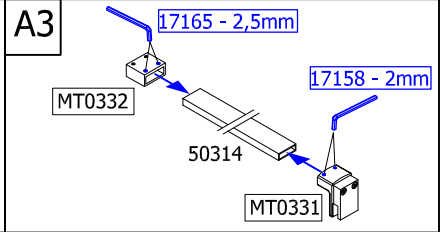
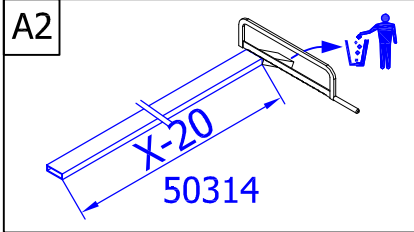
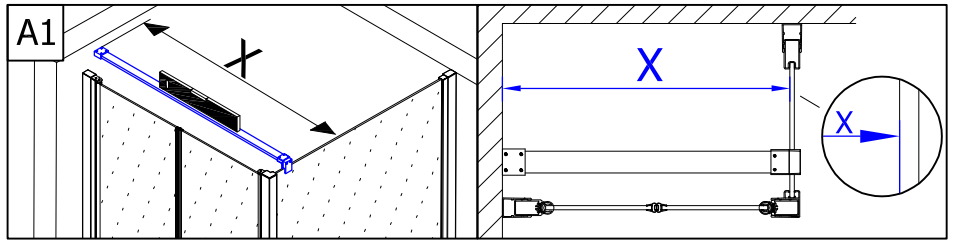
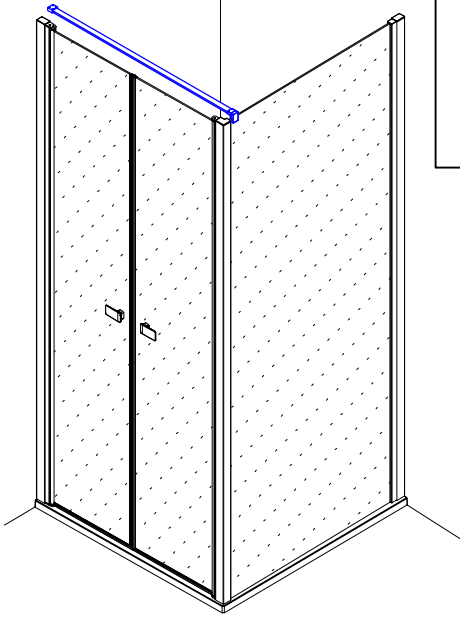


6.

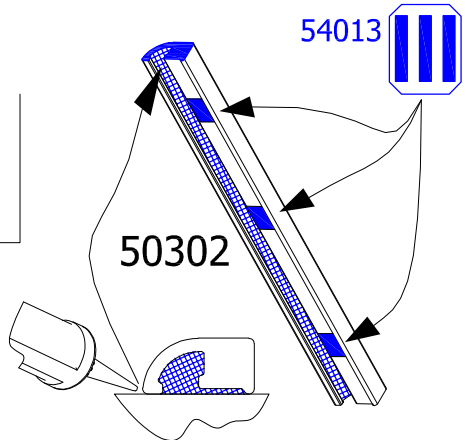
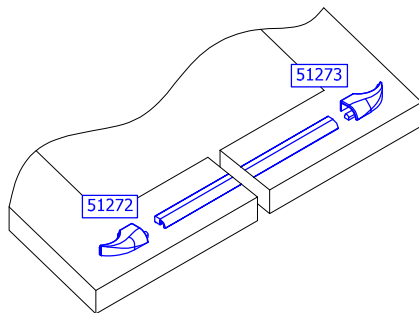
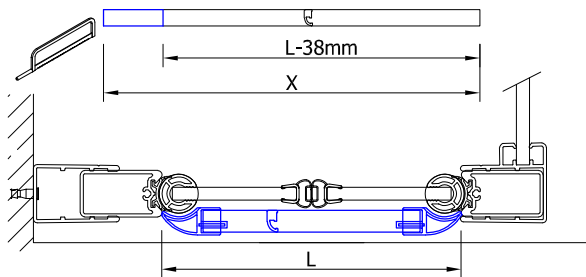
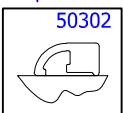
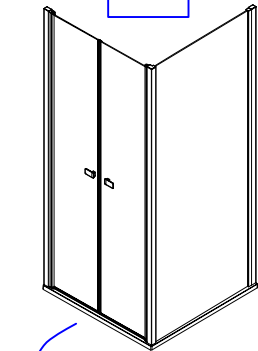




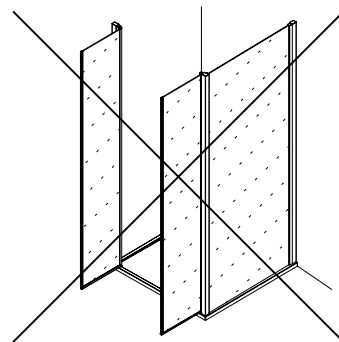
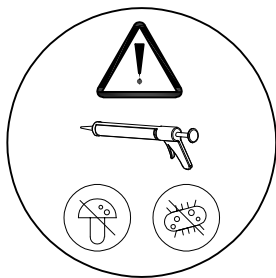
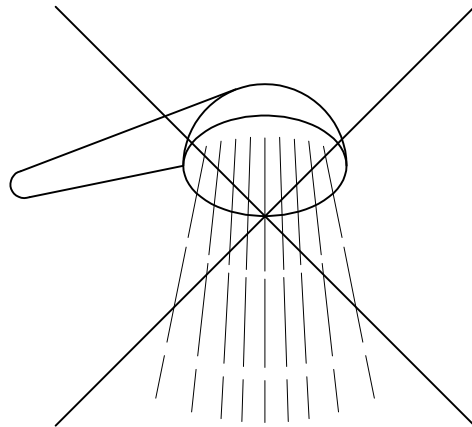
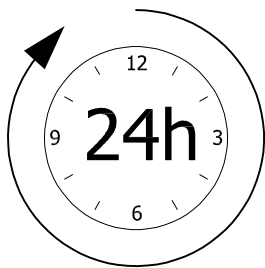
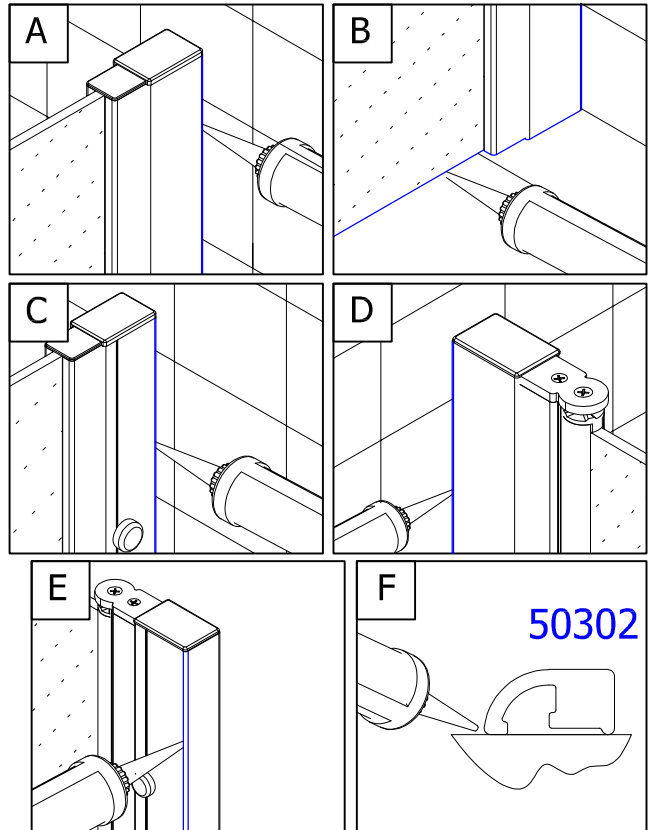
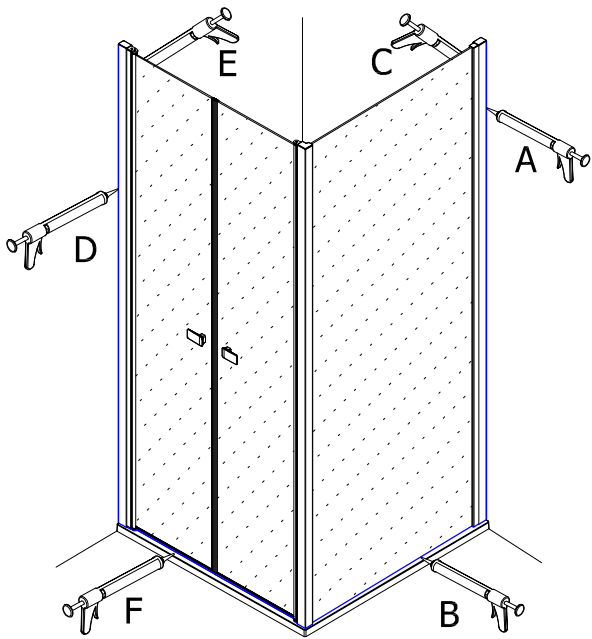
9.



10.

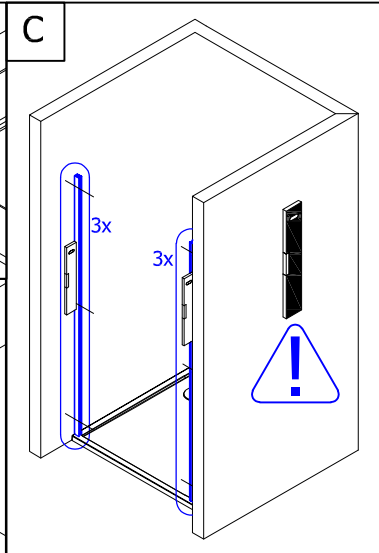
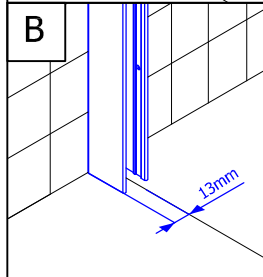
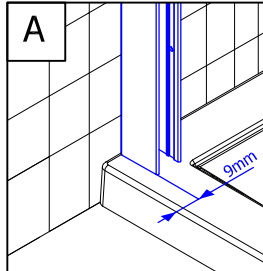
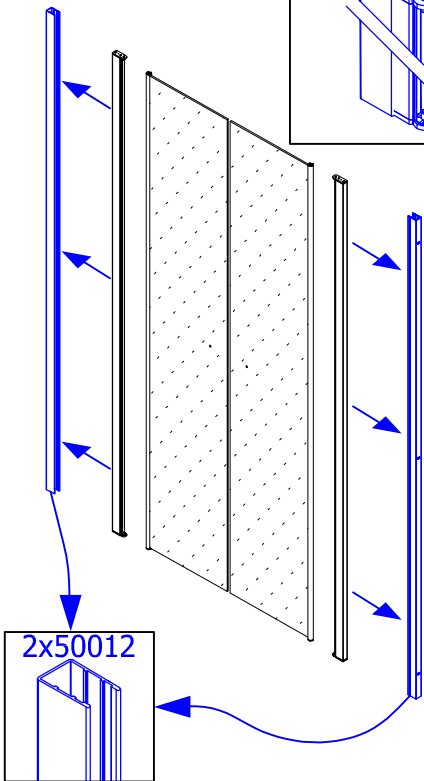
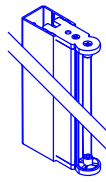


11.

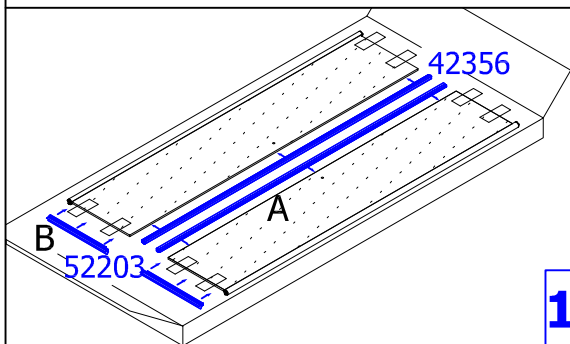
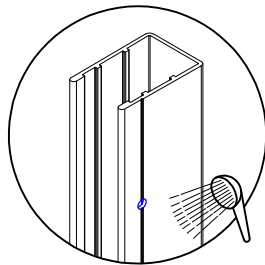


12.

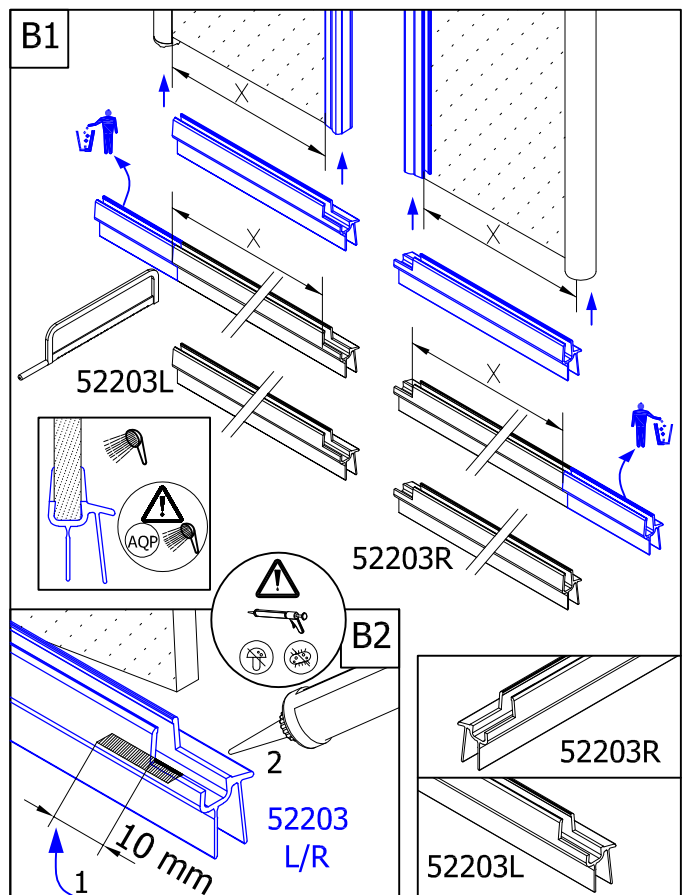
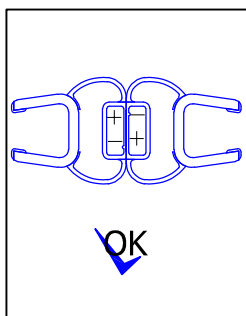
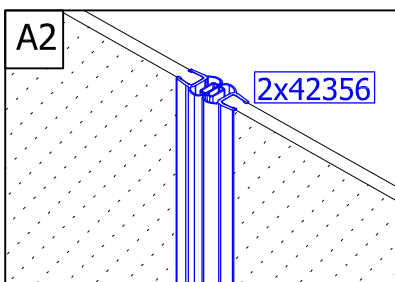
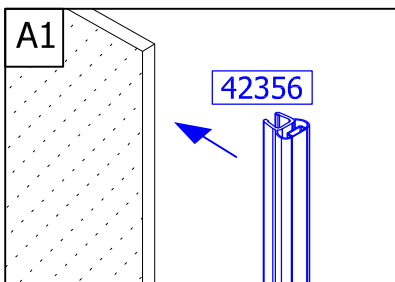
2x50007E
(50012+50007)

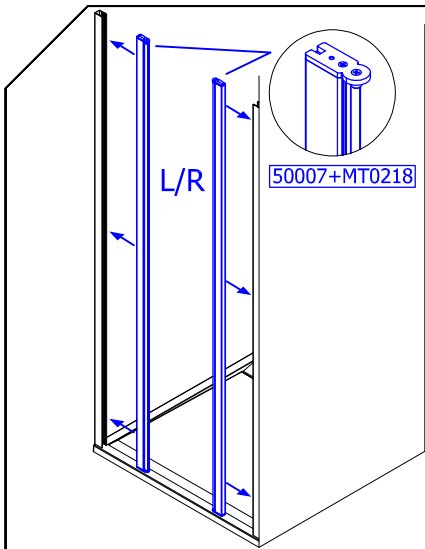


- C1
- C2
- C3
- C4
- C5



13.





14.

