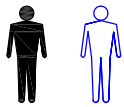
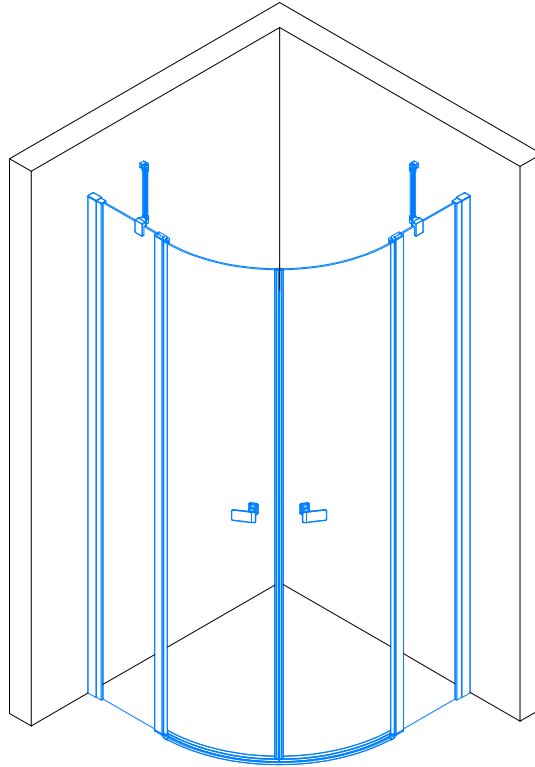


19706

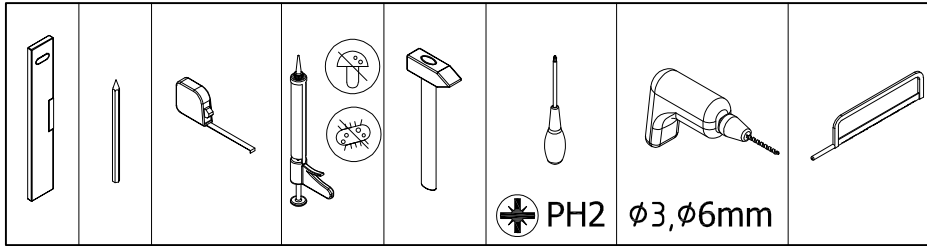


1.

7.



1x



50012 	42356.KD.1 (2x) 	52203U2.KD.2000.F 	52203R 	RPD10.xx.xxx (2x) 19710 	50302 R55 50302 R50
-----------	------------------------	-----------------------	------------	---------------------------------------	----------------------------

	2 x 51339	2 x 51399	4.2 x 45mm	3,5x9,5mm	
	6x51337	6x51338	Ø 6mm	1 x 11221	54013
			2xMT0424	1 x 51272	1 x 51273

