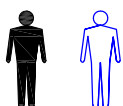
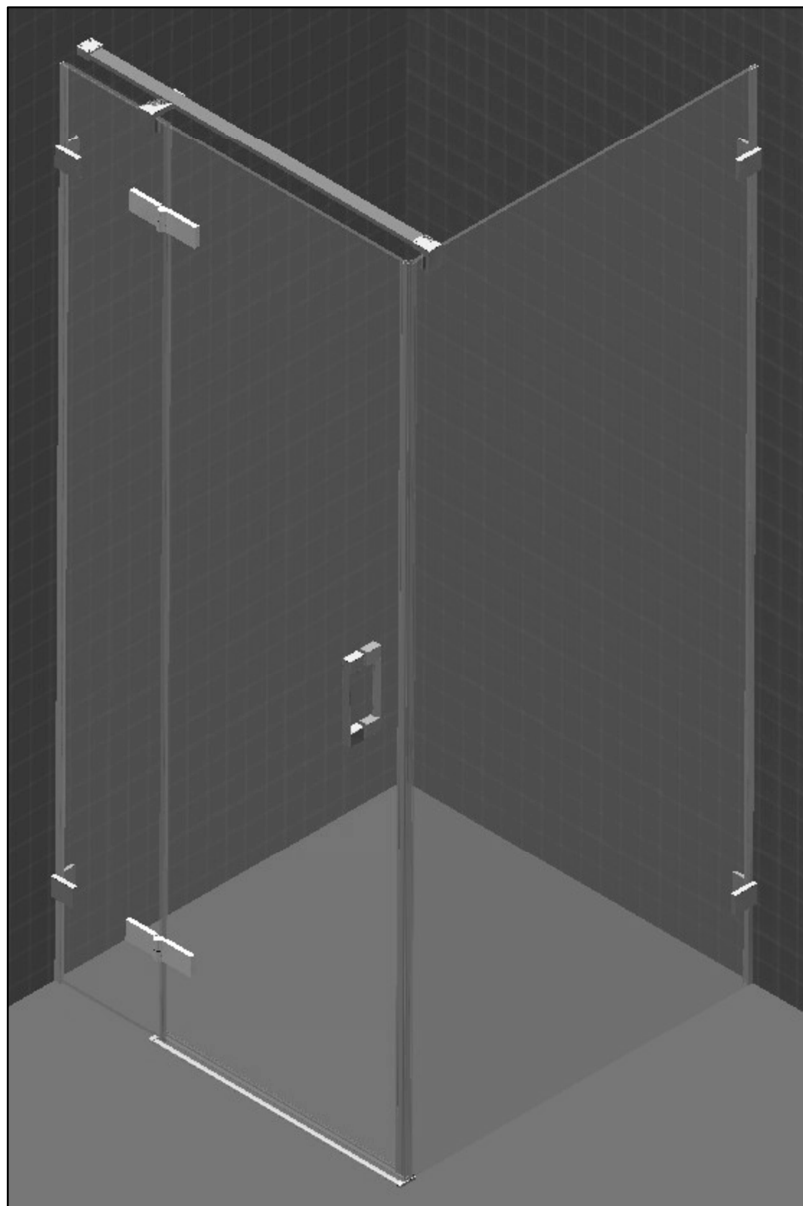
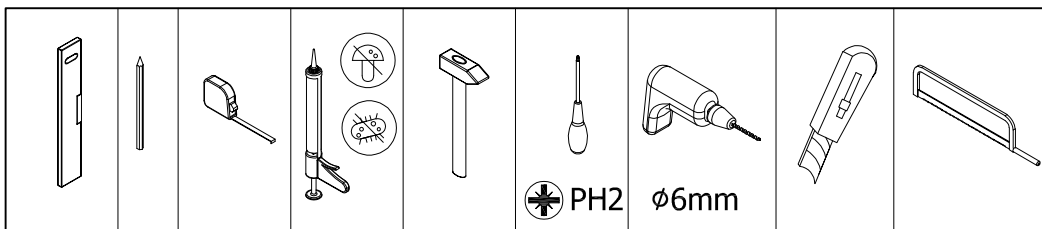


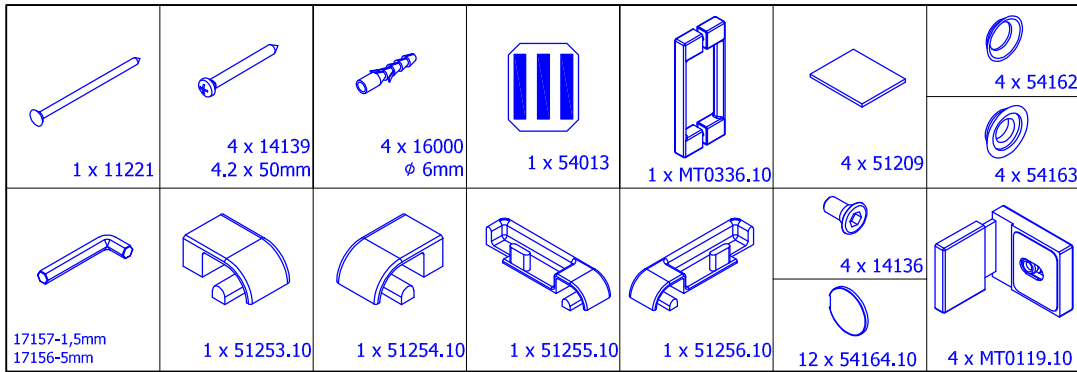
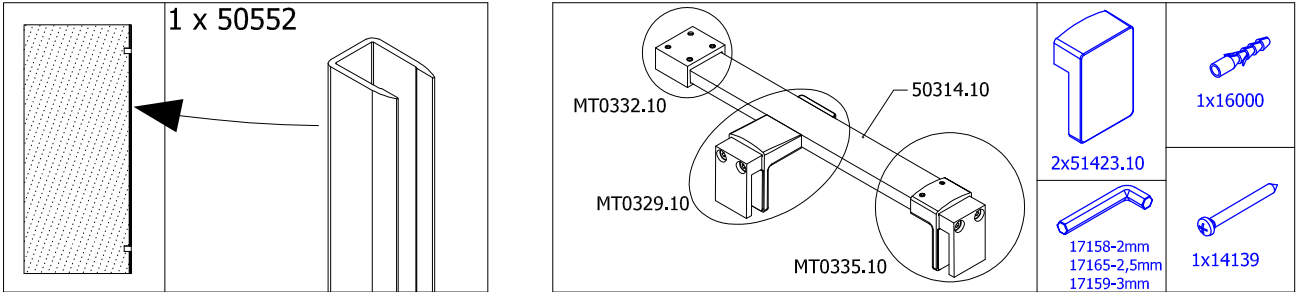
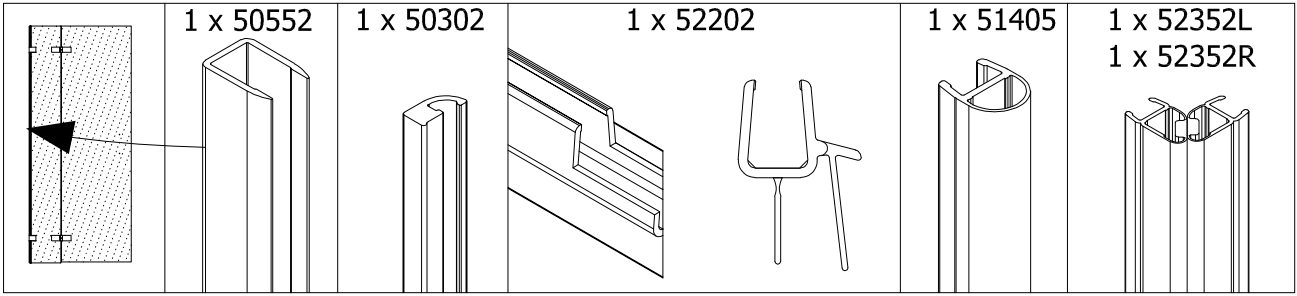
19167

1.
-
7.

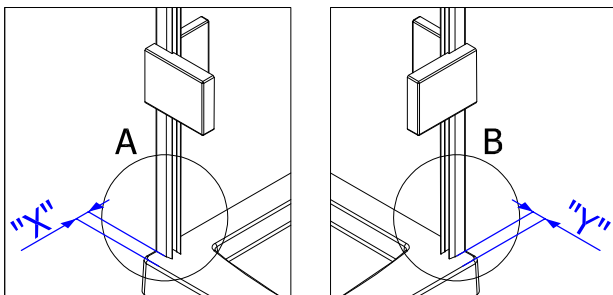


1x



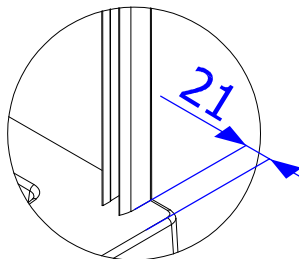
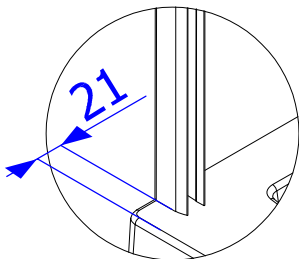


L/R

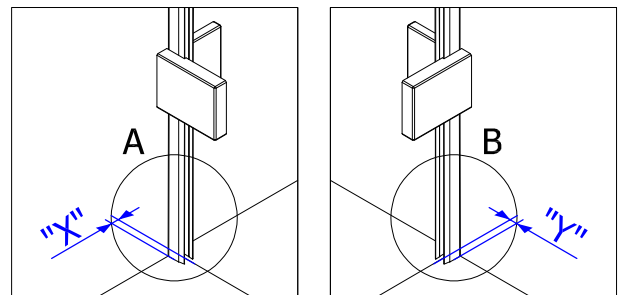


Detail A

Detail B

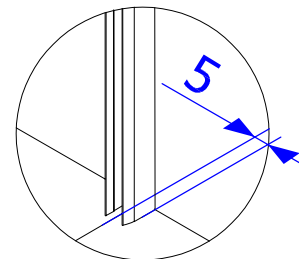
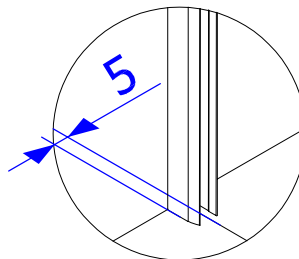


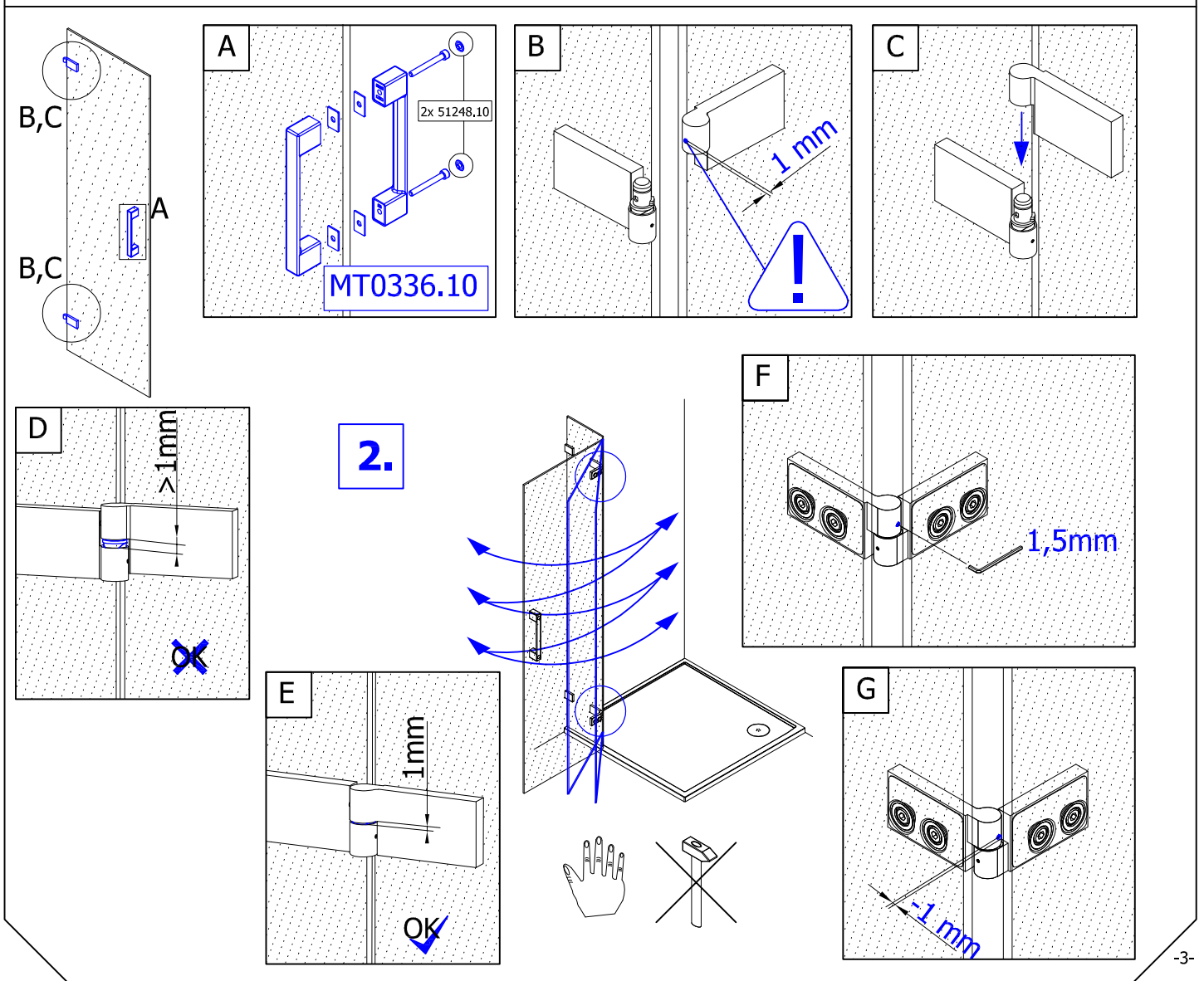
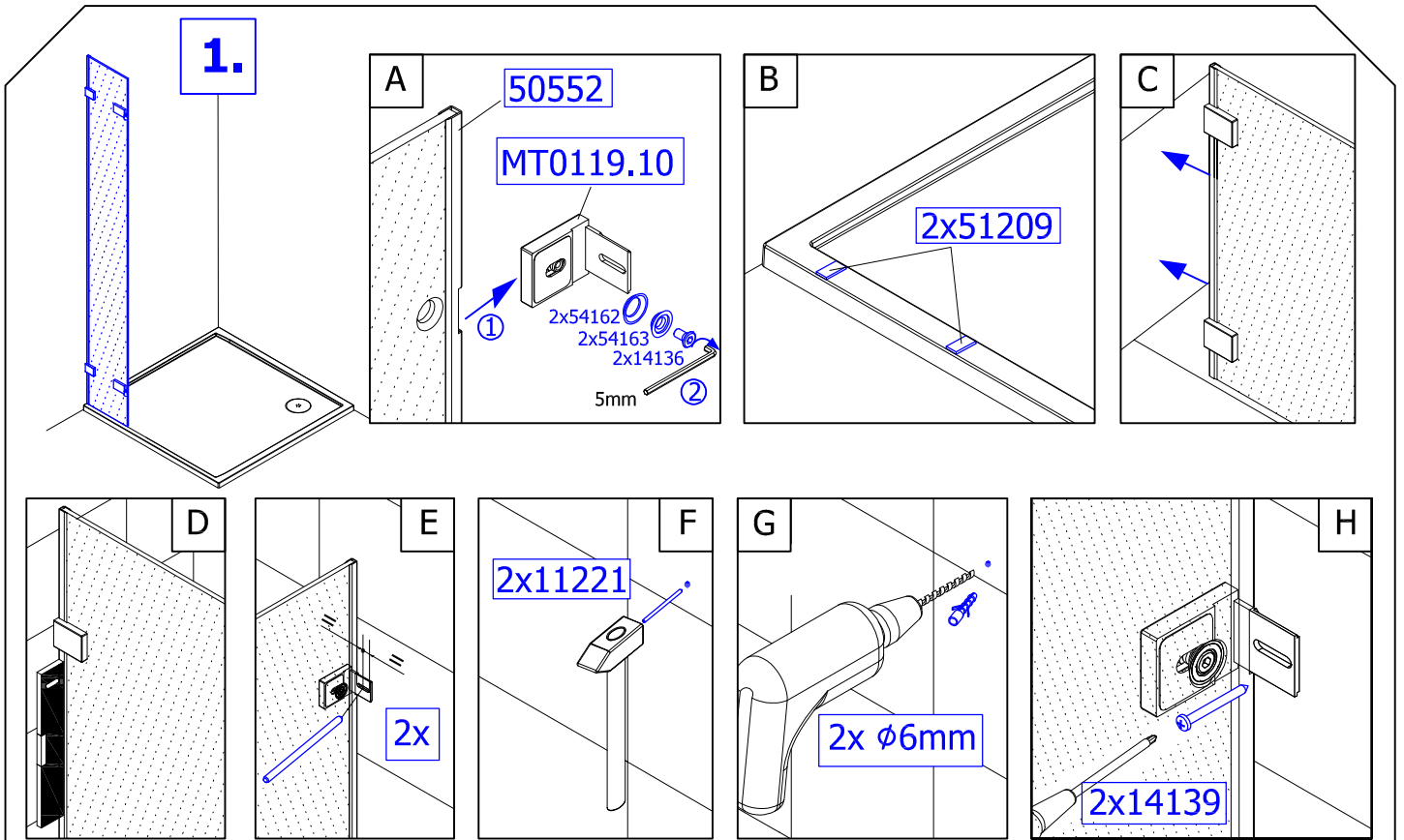
L/R

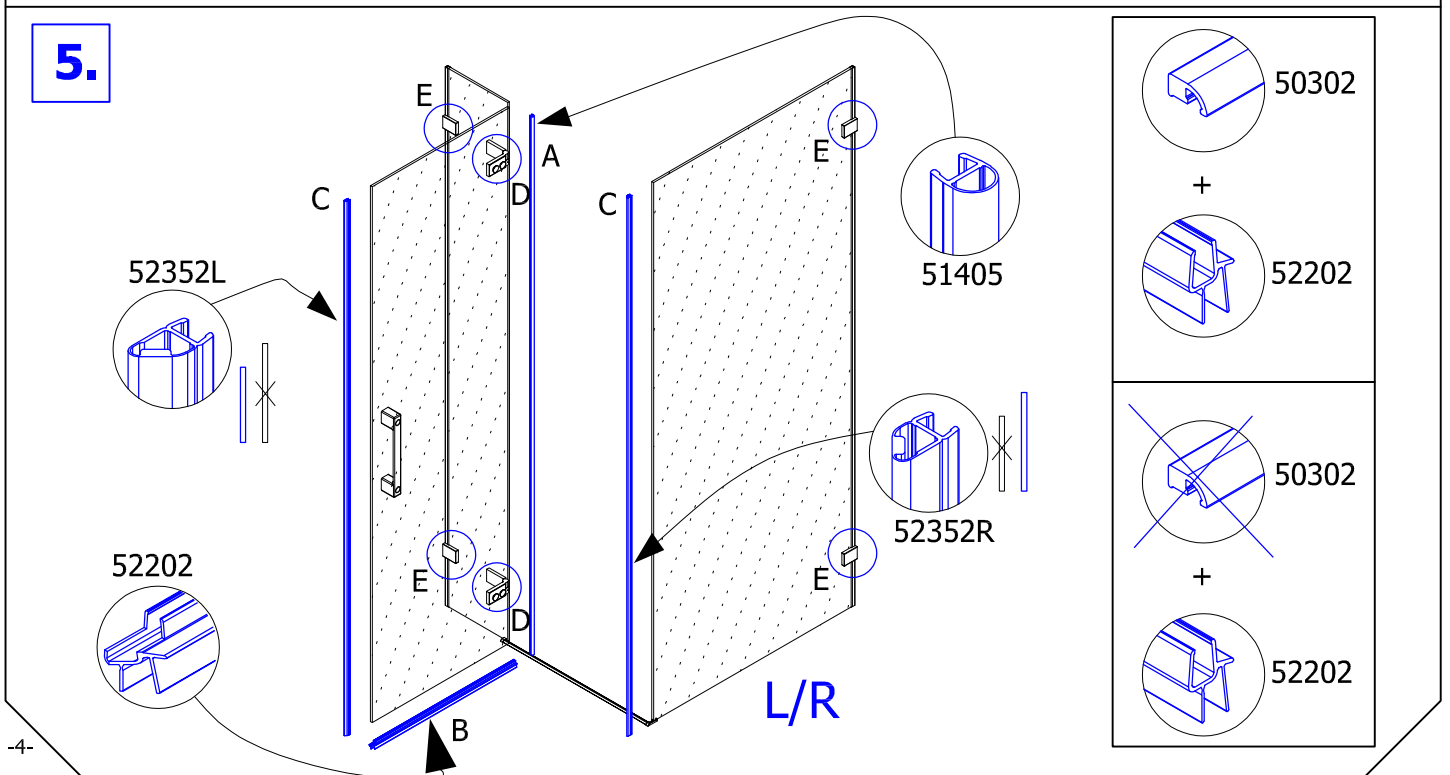
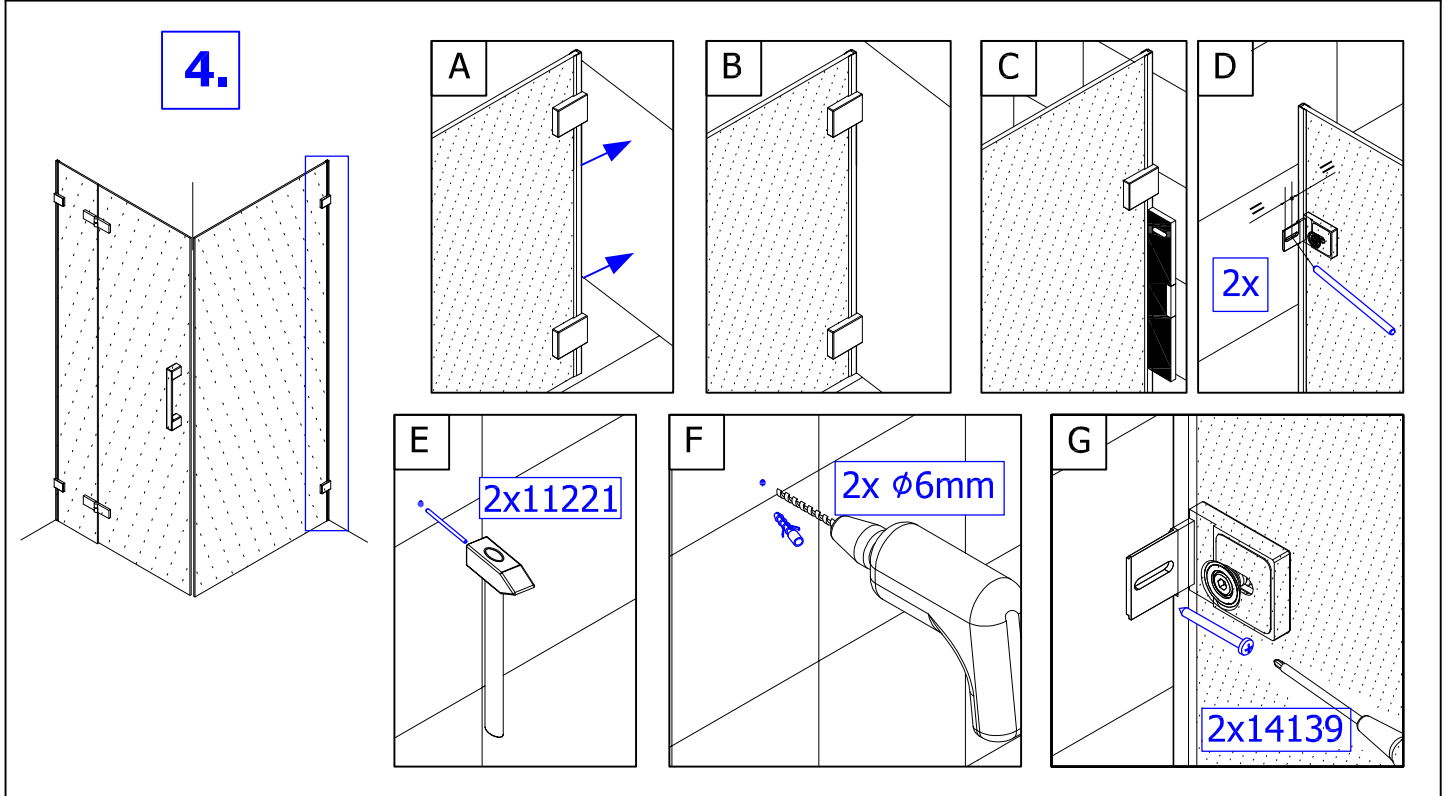
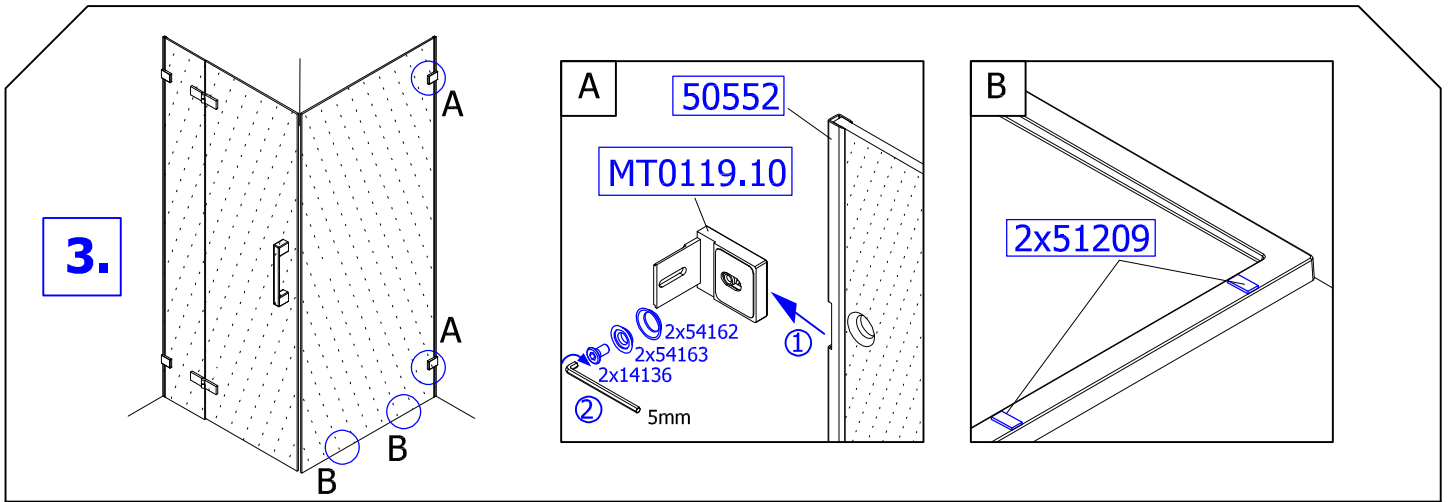


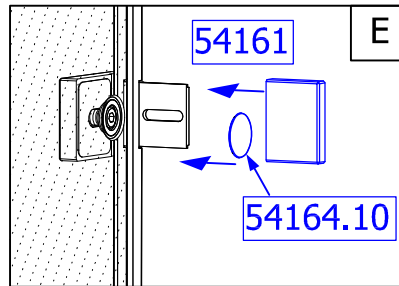
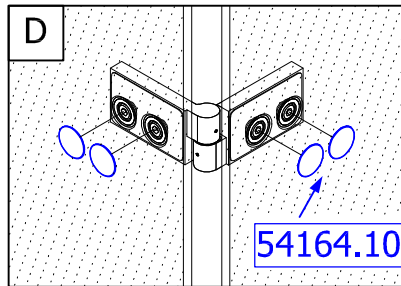
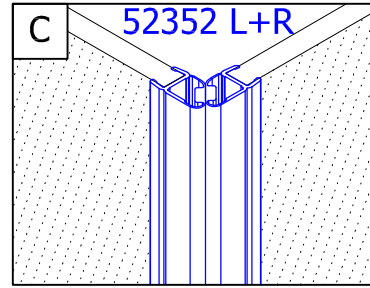
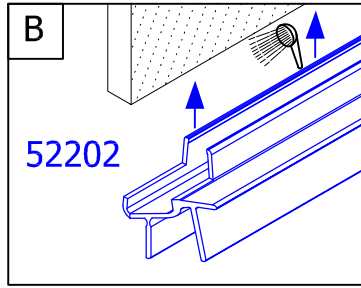
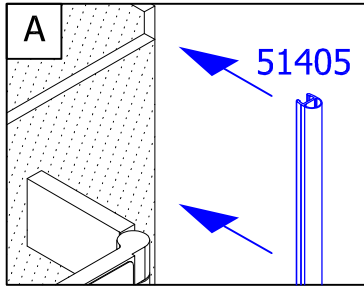
Detail A

Detail B

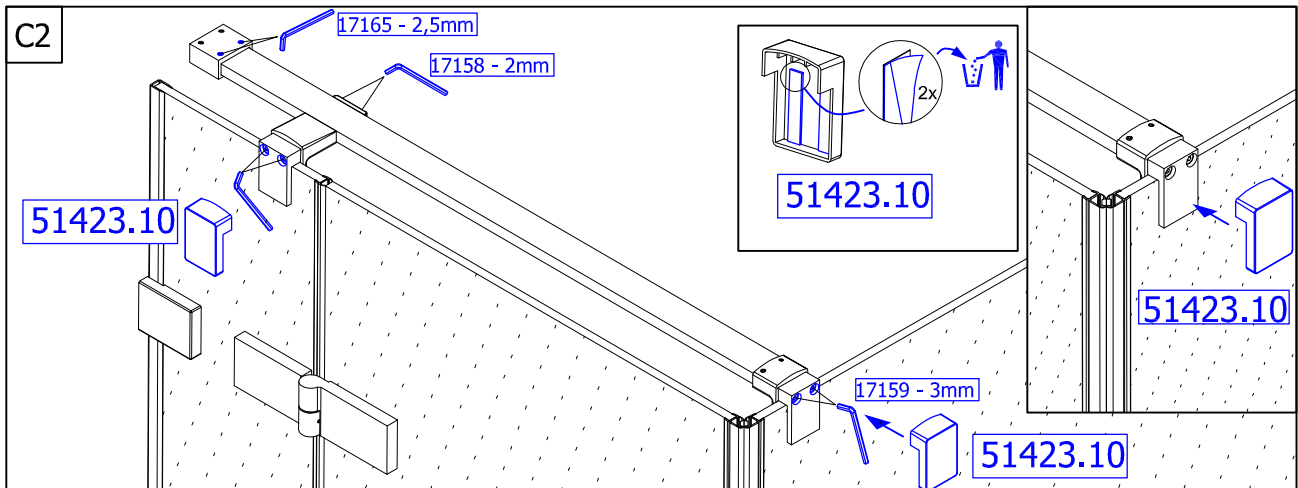
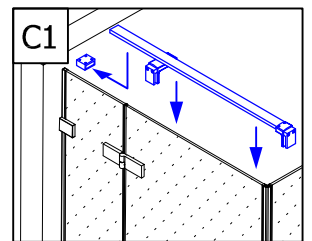
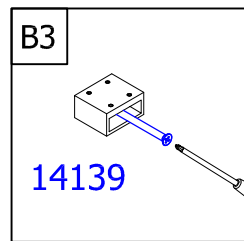
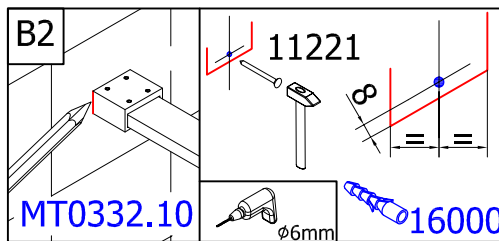
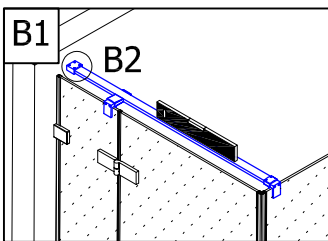
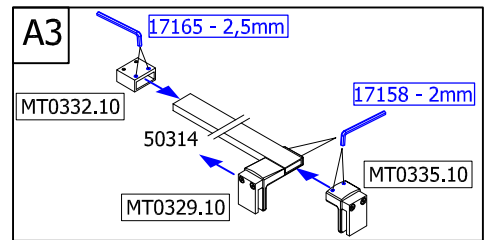
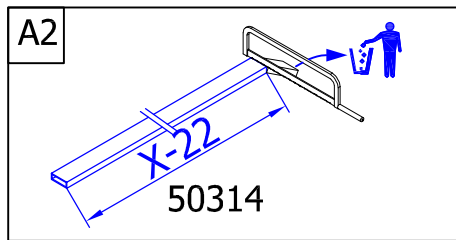
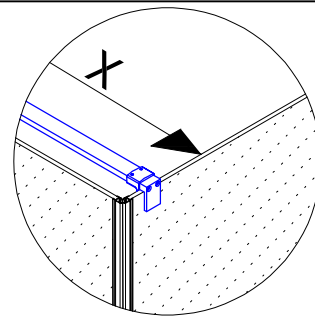
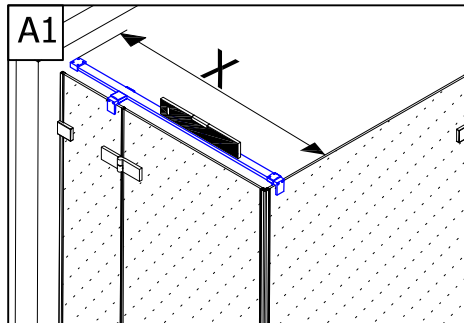
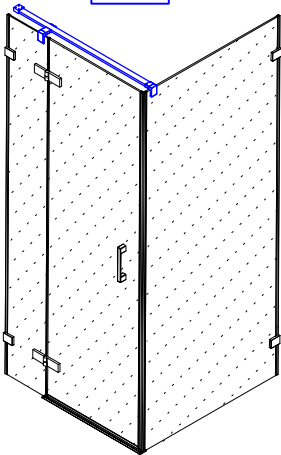


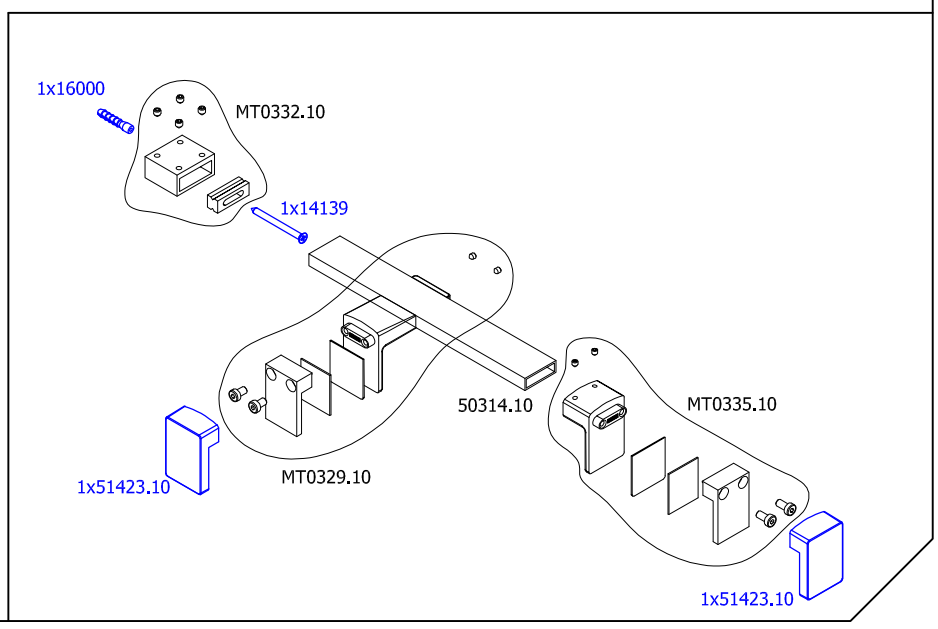
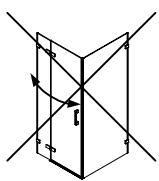
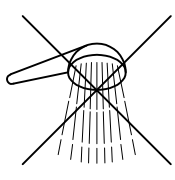
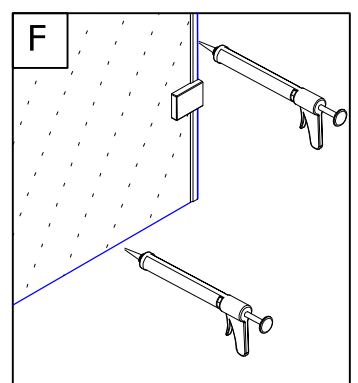
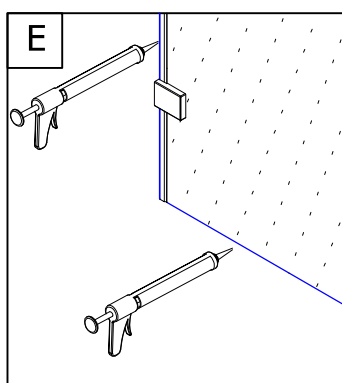
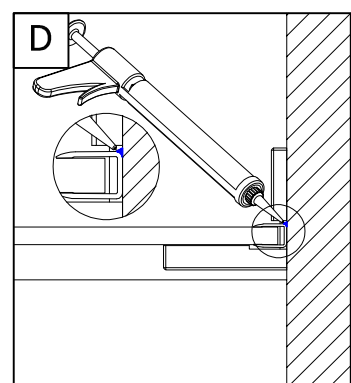
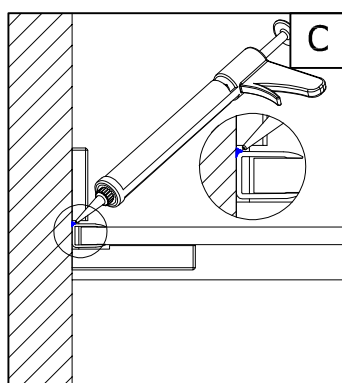
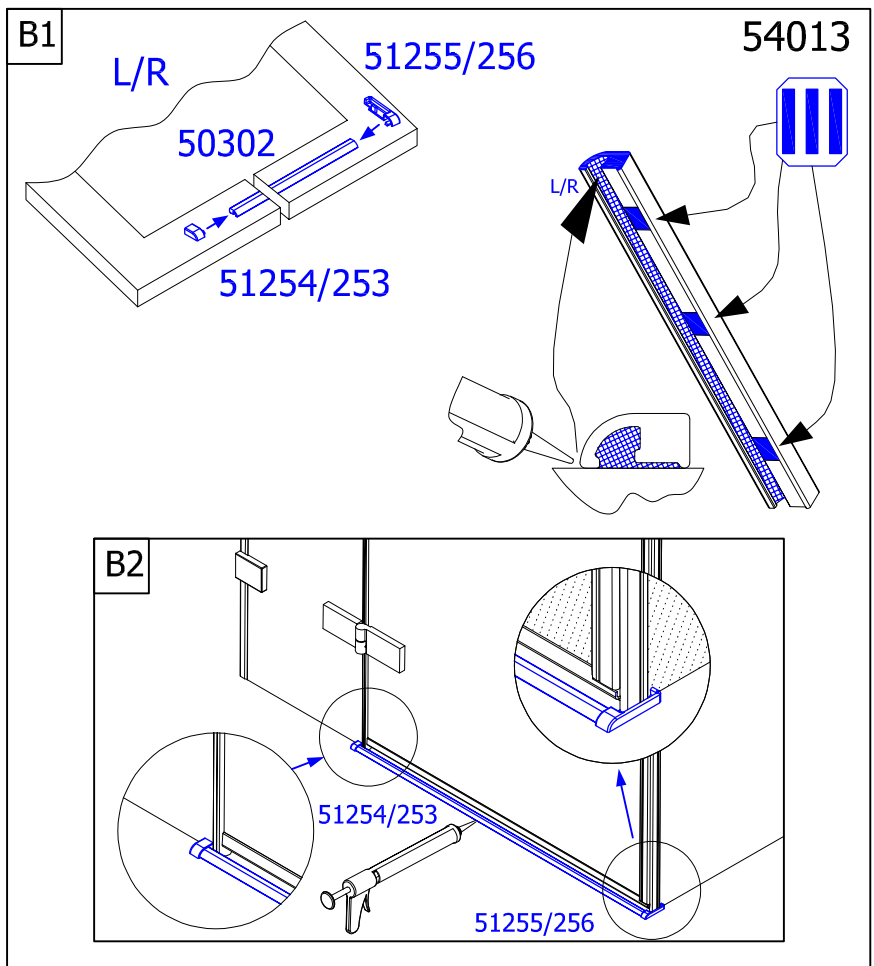
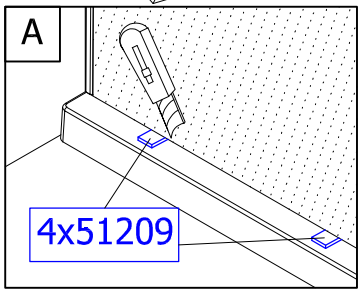
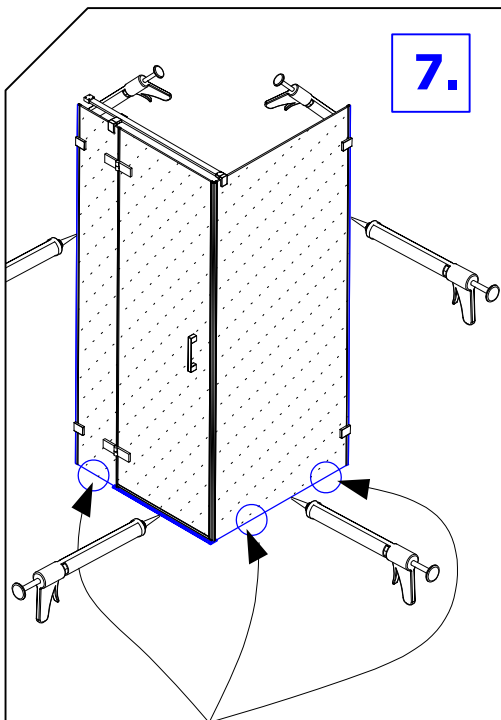


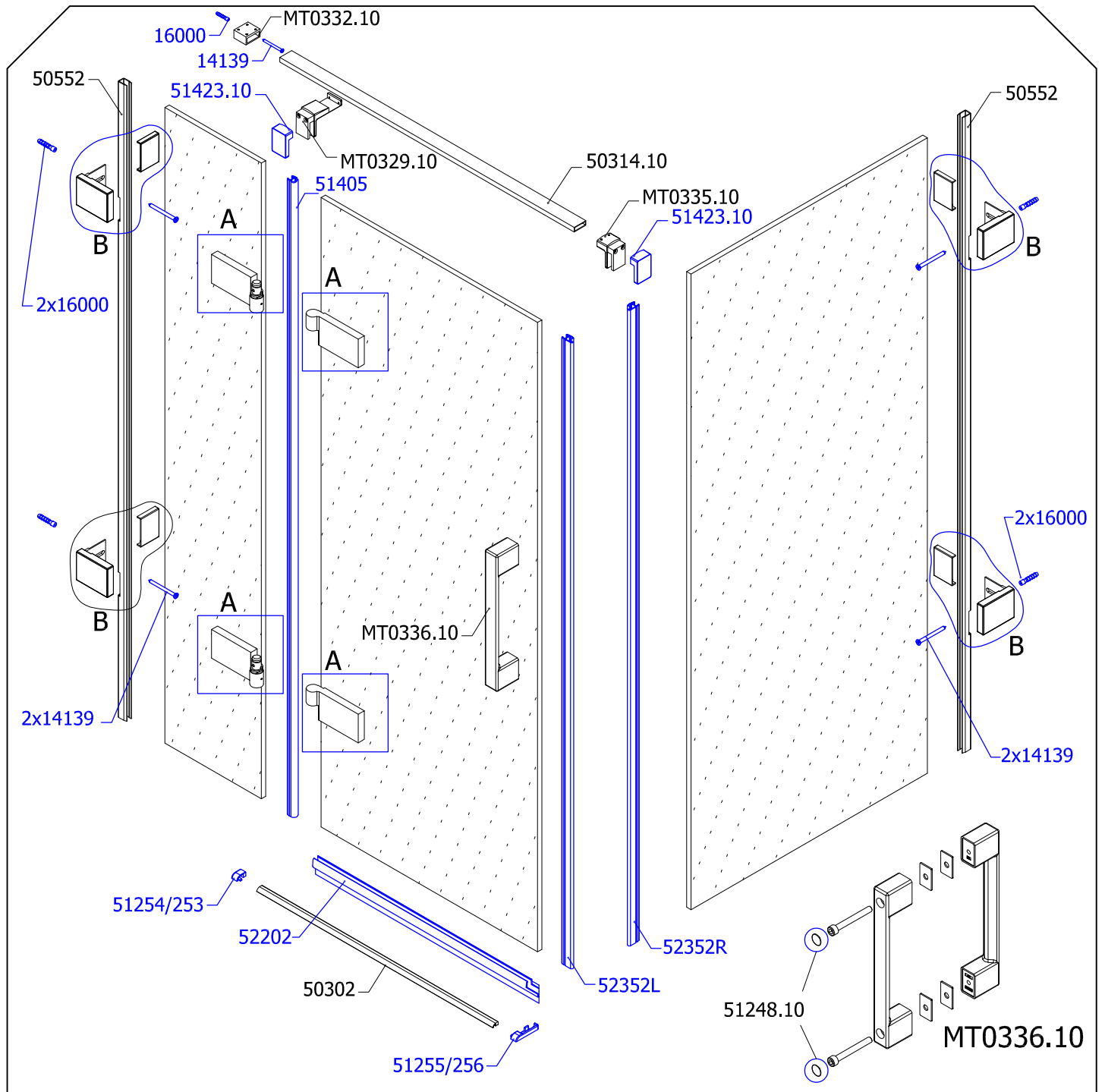




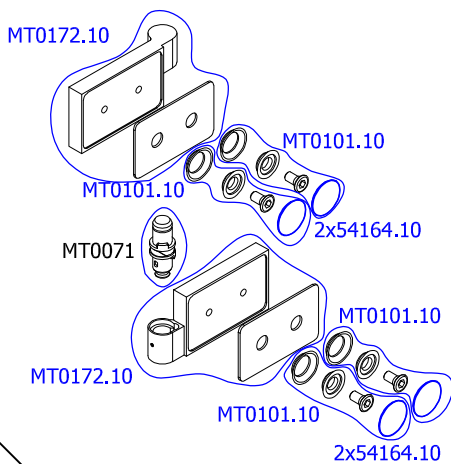
6.



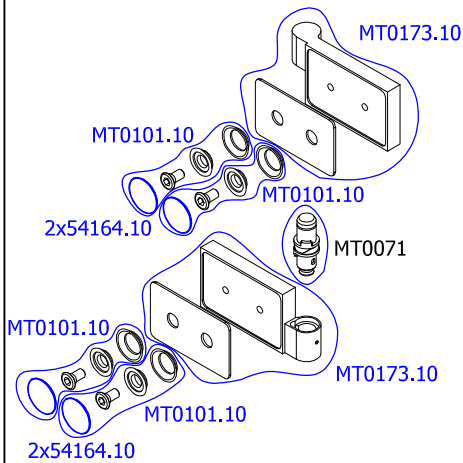




DETAIL A - L



DETAIL A - R



DETAIL B - L/R

