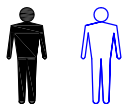
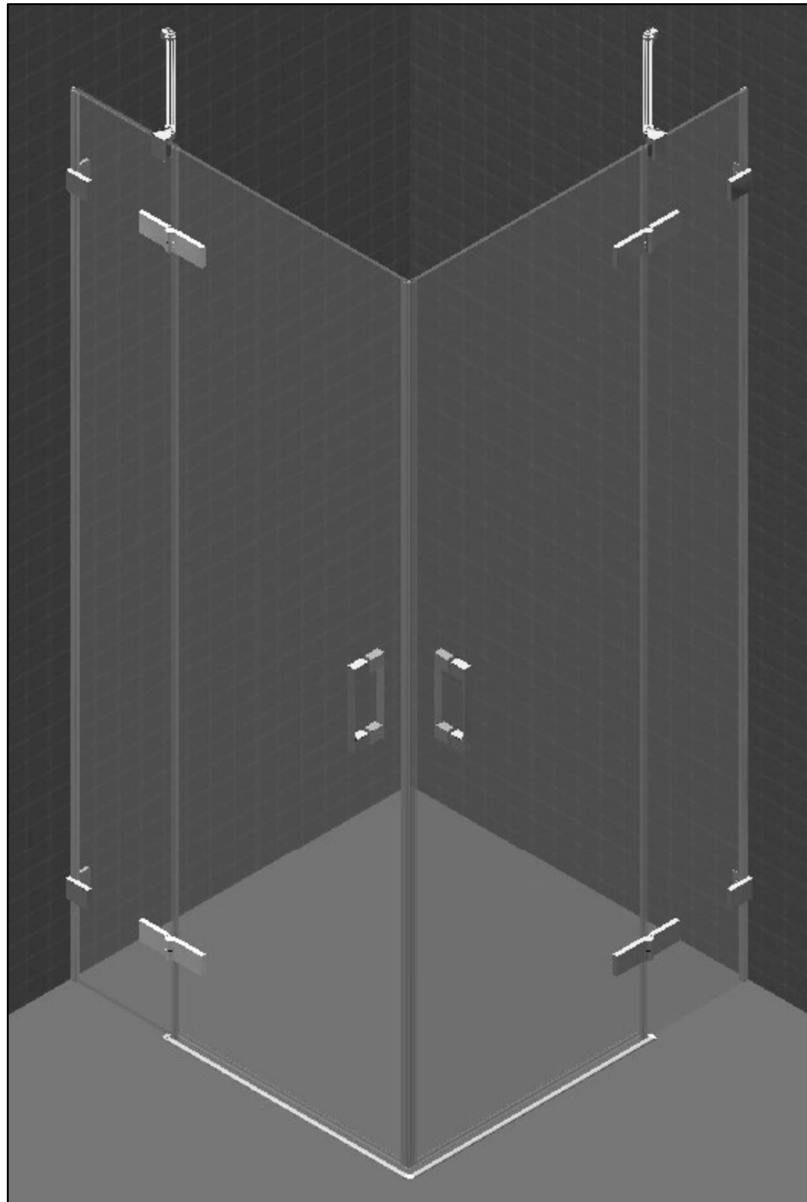
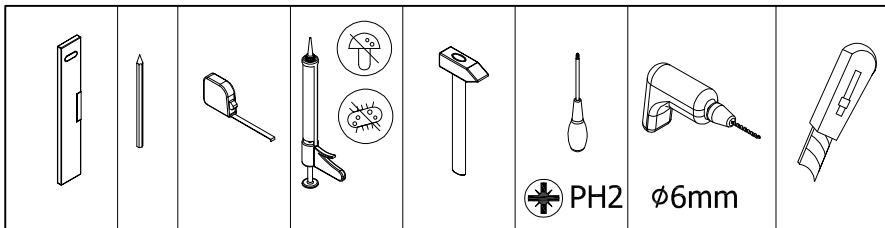


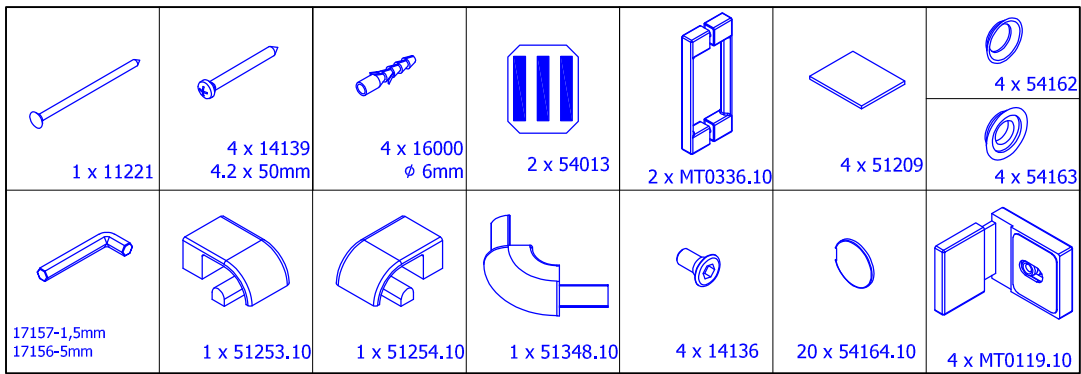
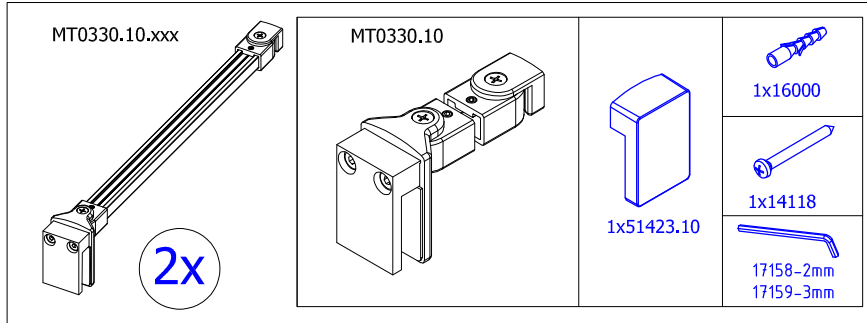
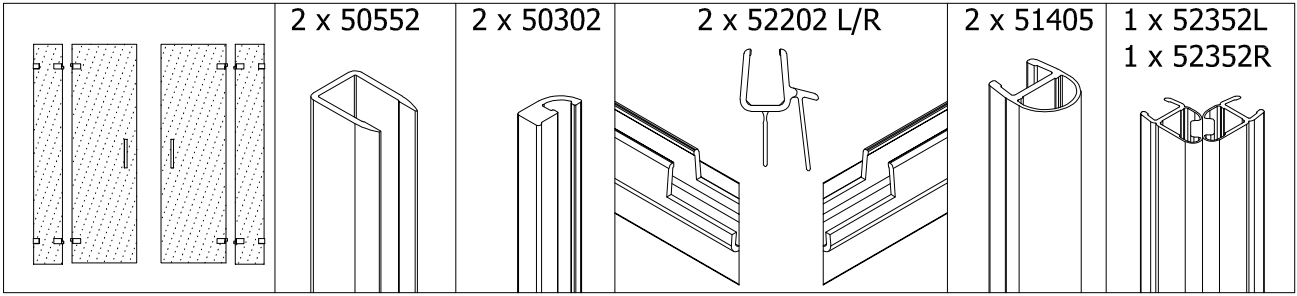
19168

1.
-
5.

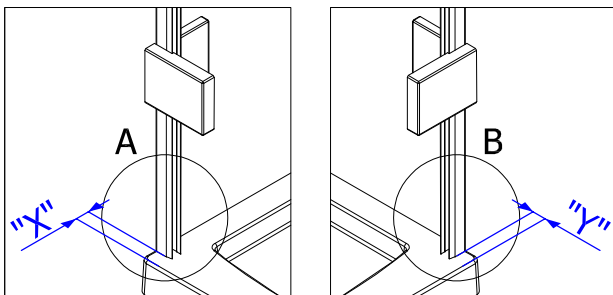


1x



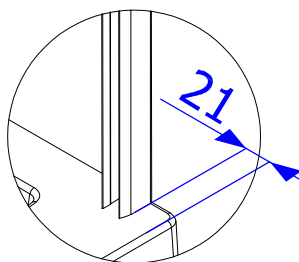
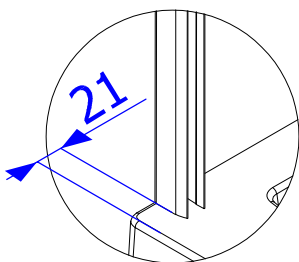


L/R

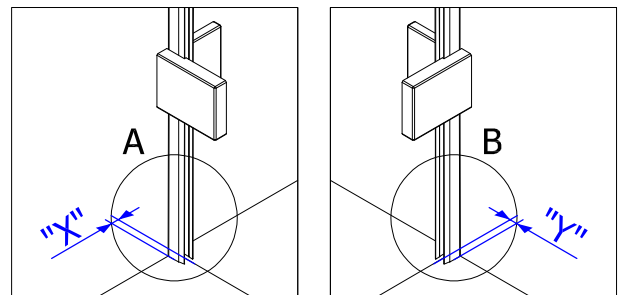


Detail A

Detail B

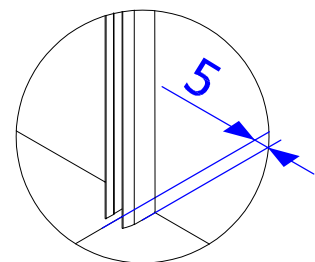
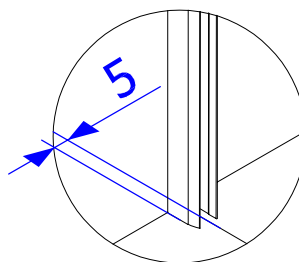


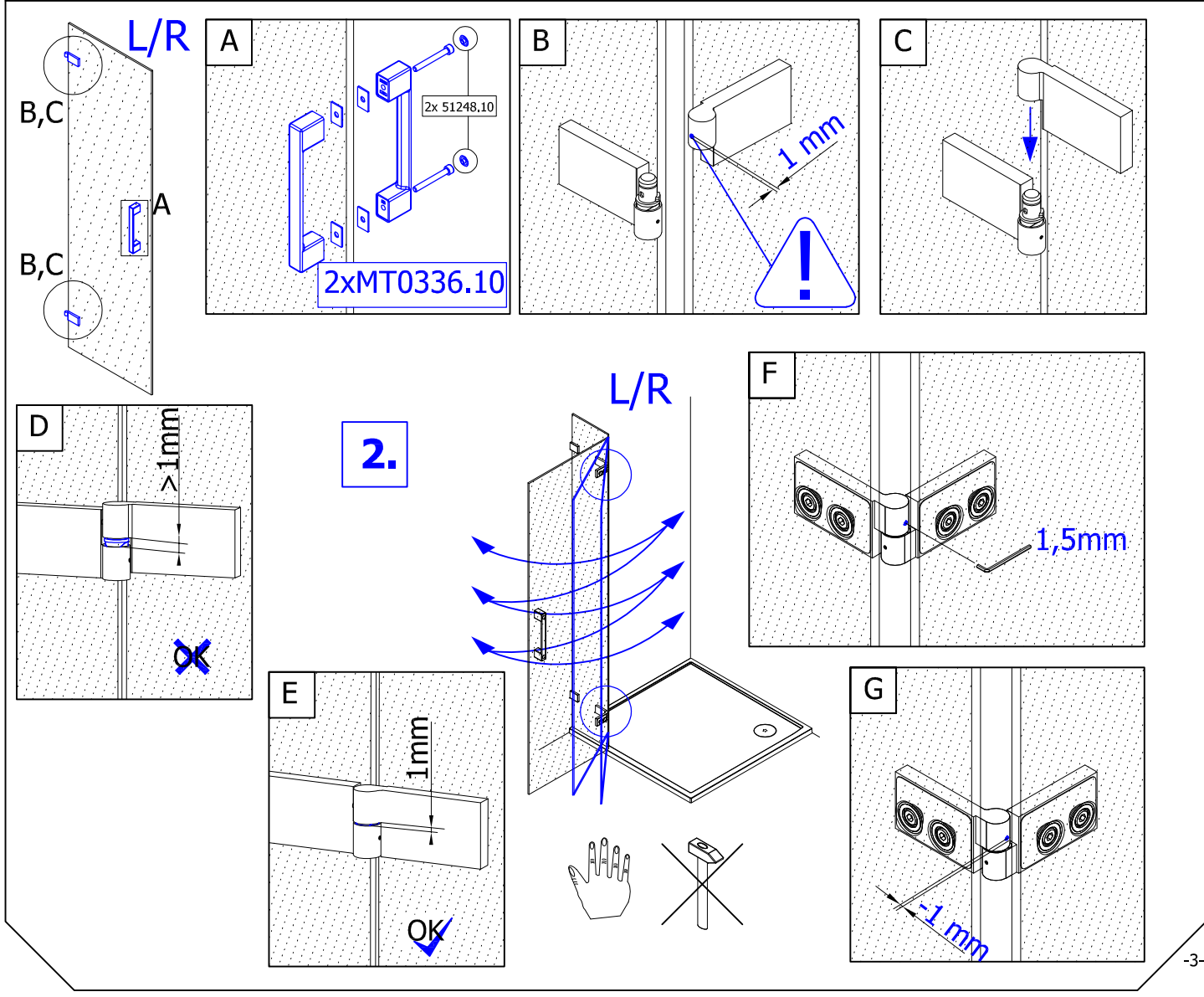
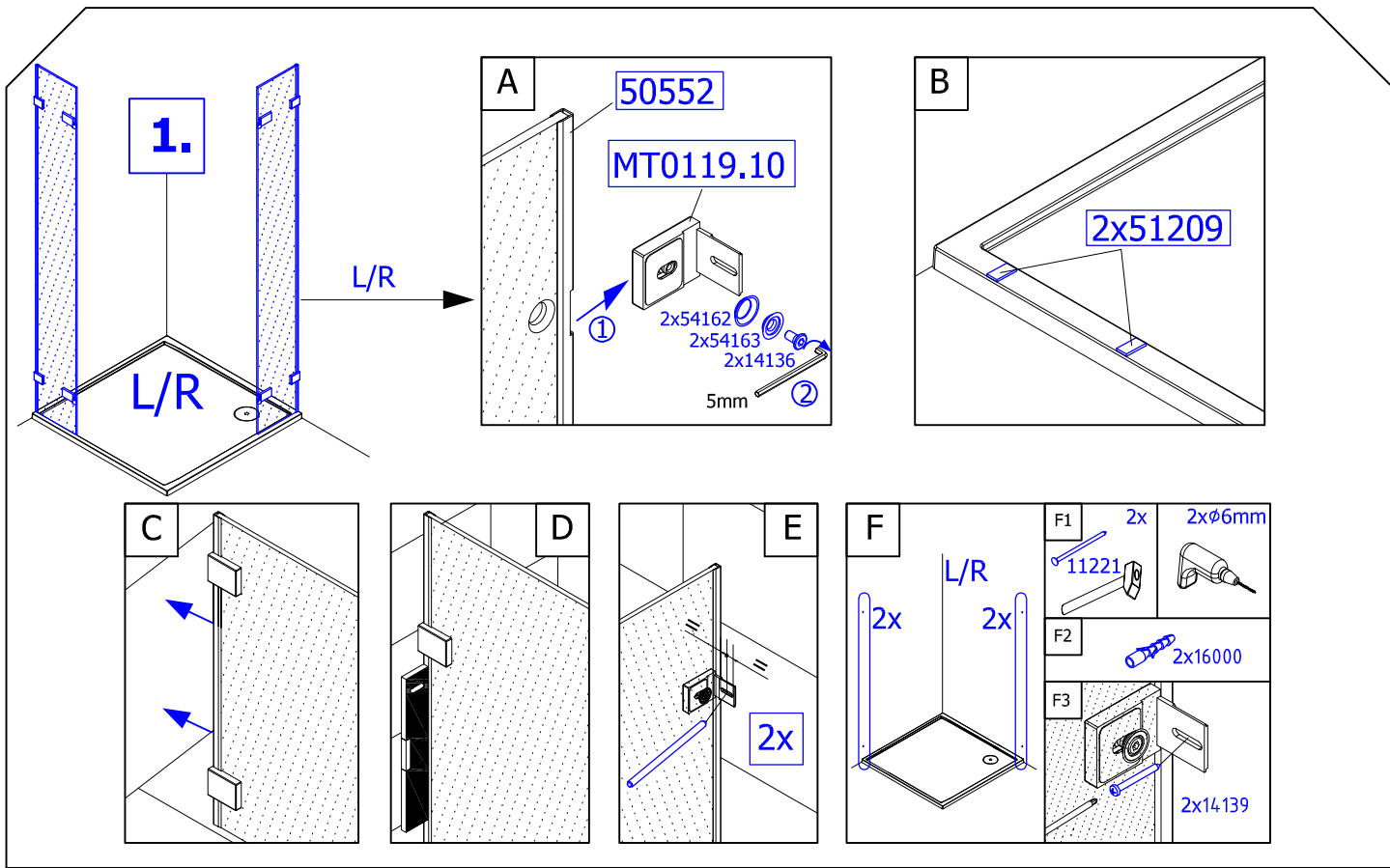
L/R



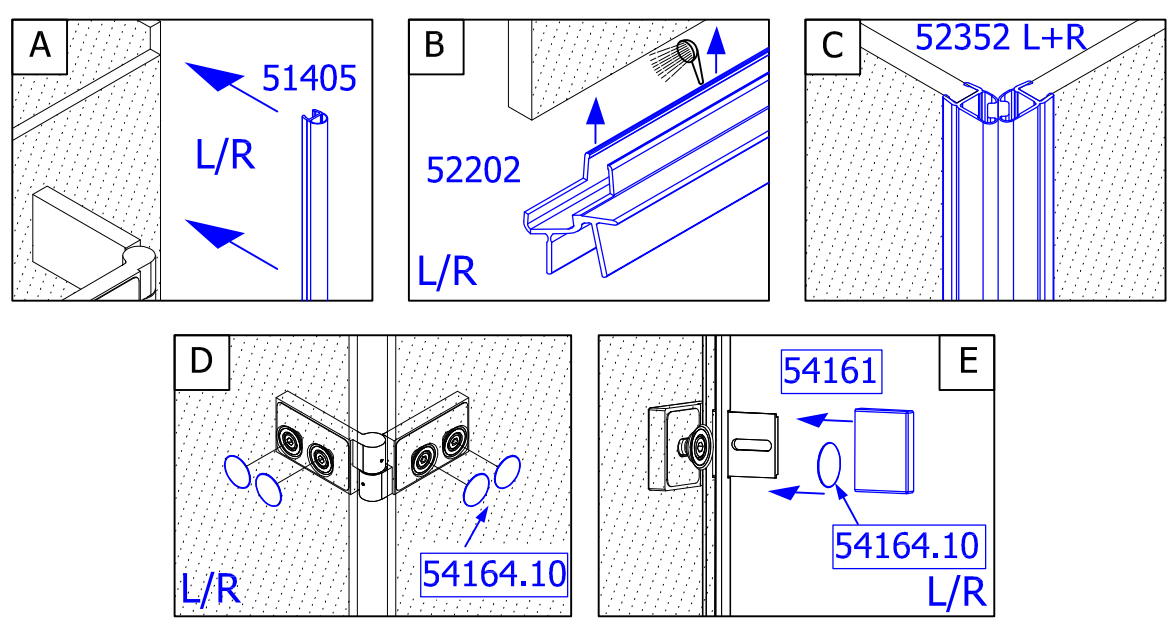
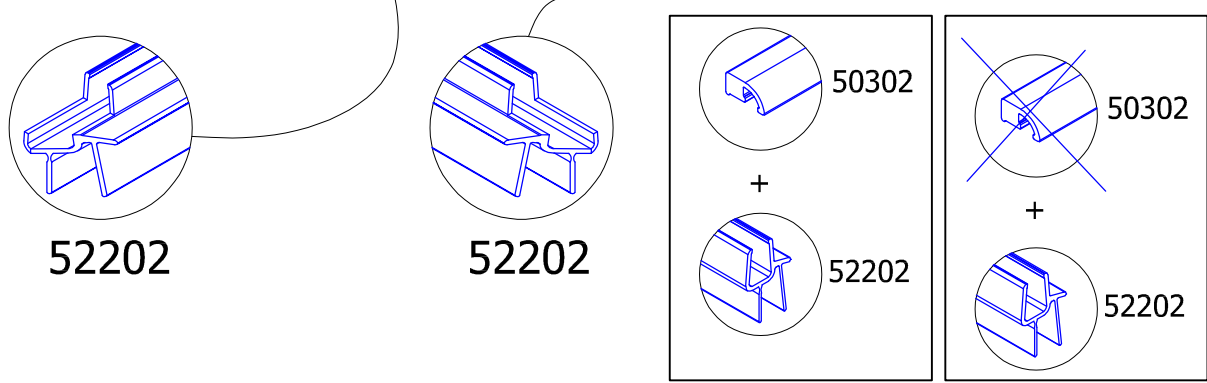
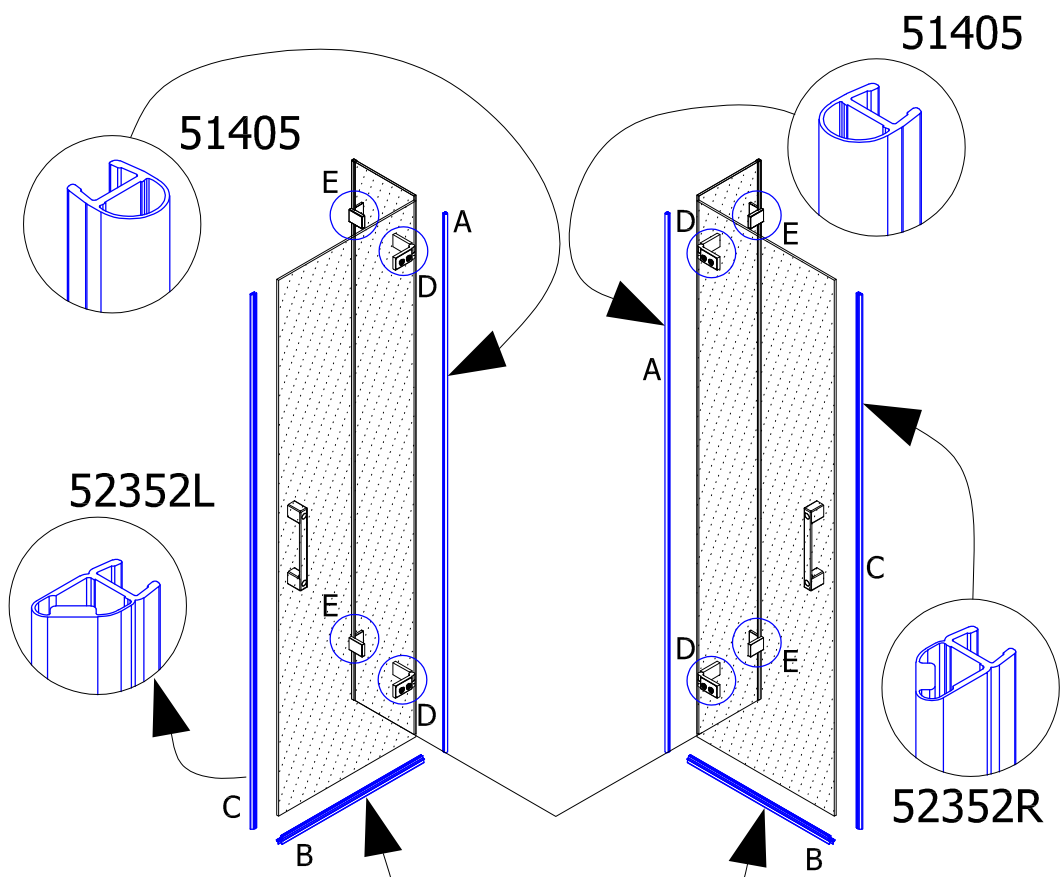
Detail A

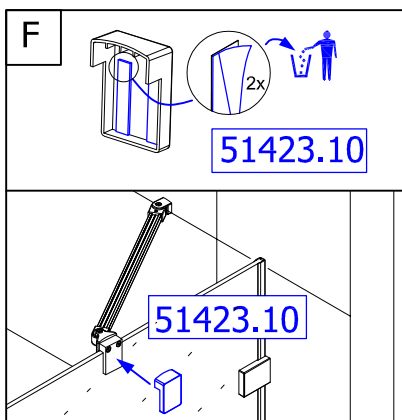
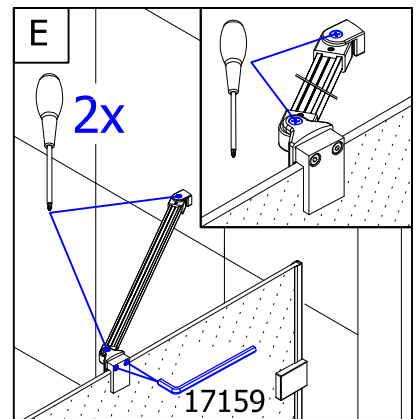
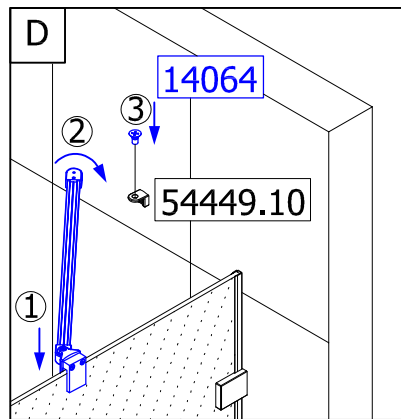
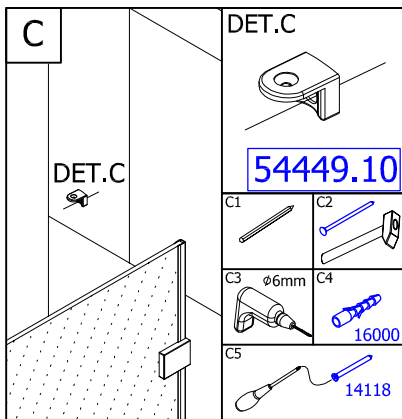
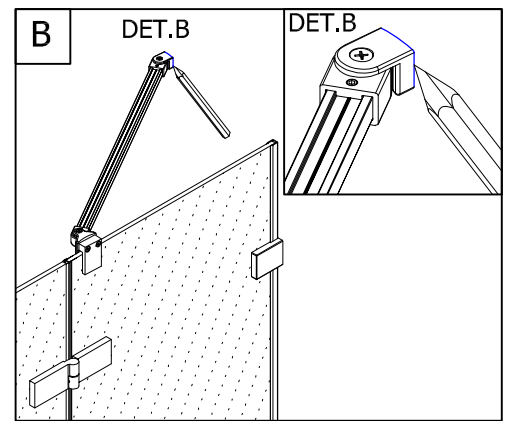
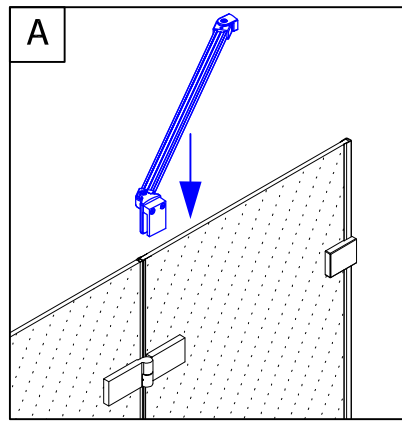
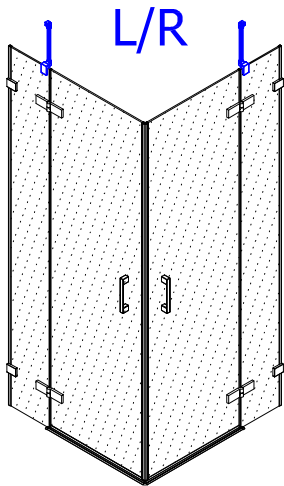
Detail B





3.





4.

