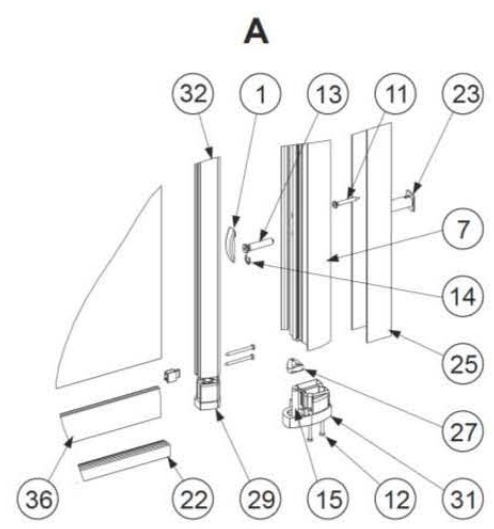


Pos	Article code	quant.	Material
1	621KS**F	2	ABS
2	623KS**F	2	PA6
3	623KS**F	2	PA6
4	623KS**F	2	PA6
5	623KS**F	2	PA6
6	623KS**F	2	PA6
7	0607AL**G	1	AlMgSi05
8	***	1	Glas
9	***	1	Glas
10	***	1	Glas
11	001BF00F	2	INOX
12	009BF00F	36	INOX
13	010BF00F	2	Messing
14	011BF00F	2	INOX
15	016BZ00F	2	INOX
16	060GM07F	4	PVC
17	100GM08F	1	PVC
18	100GM08F	1	PVC
19	100GM08F	1	PVC
20	110GM08F	1	PVC WEICH/HART
21	110GM08F	1	PVC WEICH/HART
22	110GM08F	1	PVC WEICH/HART
23	430KS18F	3	POM
24	445KS**F	1	ABS
25	602AL**G	1	AlMgSi05
26	620KS18F	12	PA6
27	622KS18F	1	DELRIN
28	624KS**FL	1	PA6
29	624KS**FR	1	PA6
30	625KS**FL	1	PA6
31	625KS**FR	1	PA6
32	790AL**G	1	AlMgSi05
33	795AL**G	2	AlMgSi05
34	800AL**G	2	AlMgSi05
35	805AL**G	1	AlMgSi05
36	810AL**G	2	AlMgSi05
37	811AL**G	2	AlMgSi05
38	812AL**G	2	AlMgSi05



** 05 brillant
20 silber
30 weiß/weiß

* SC Satiniert
OG Cincillat
GL. Transparent
AC Acrylic